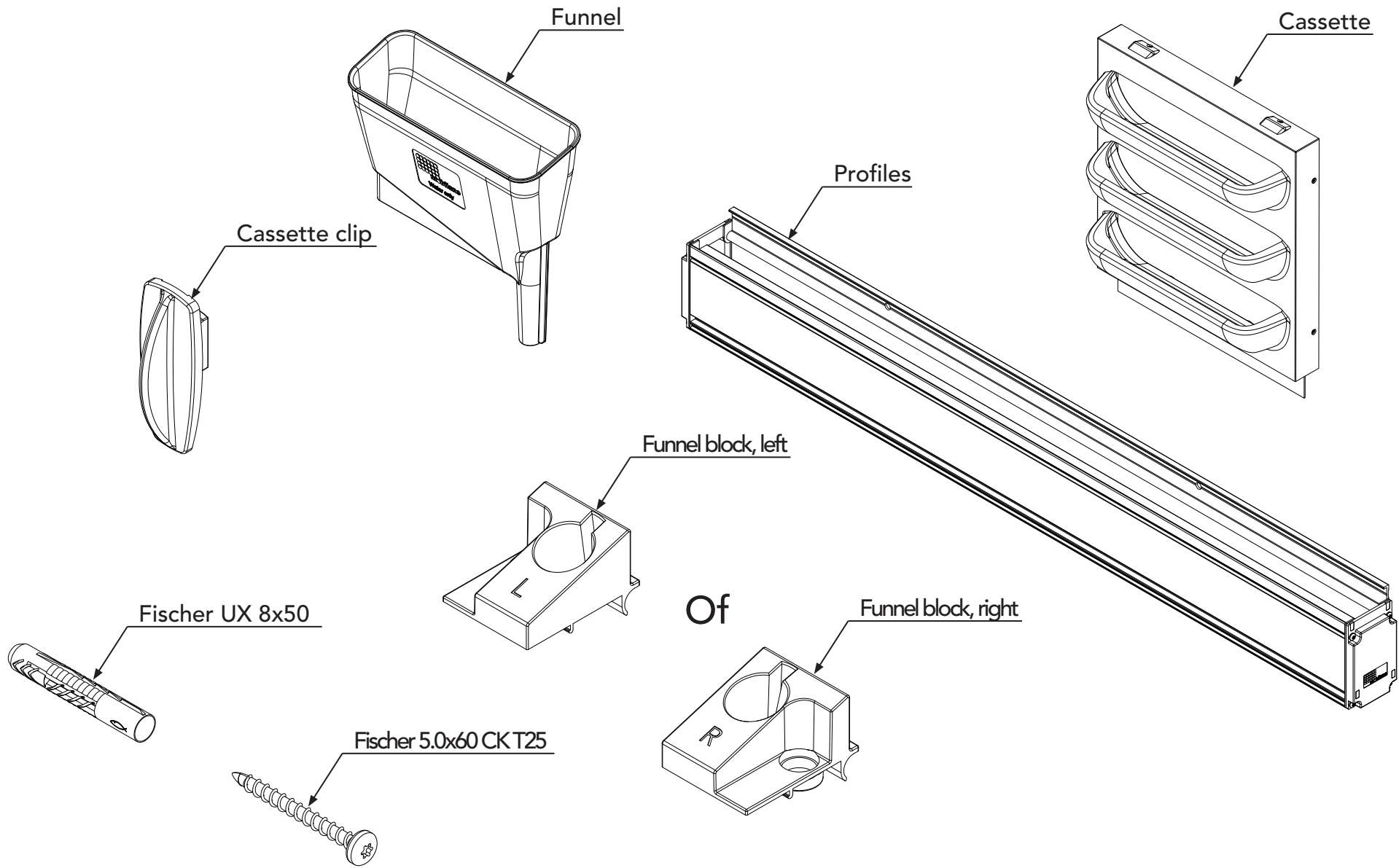
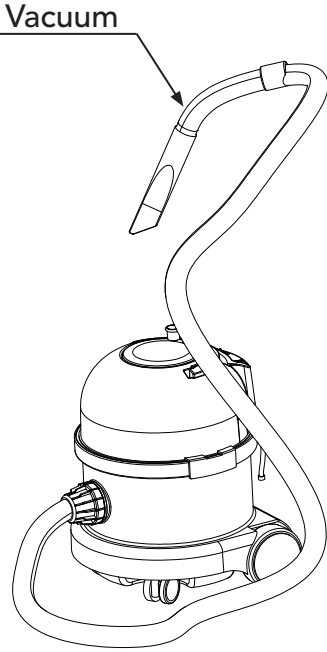
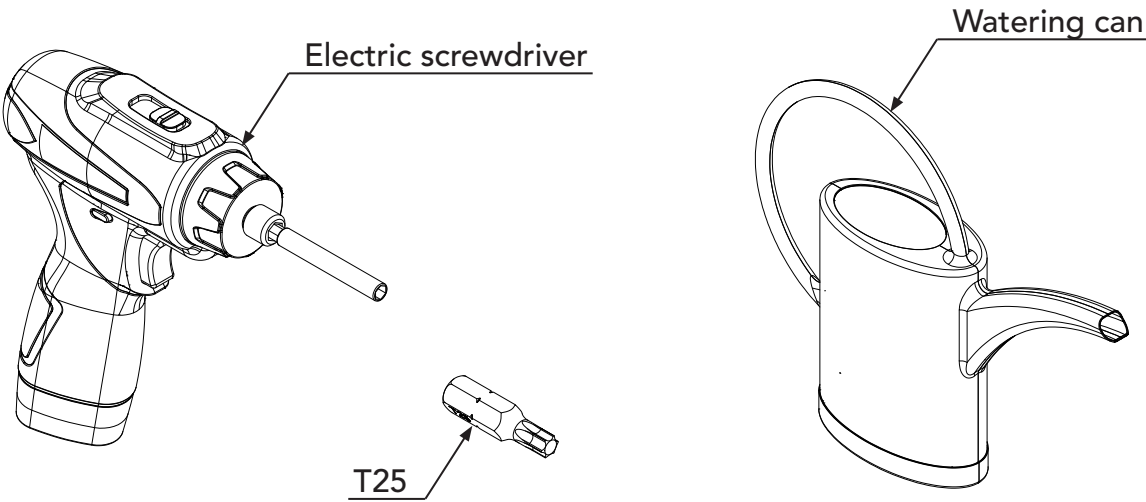
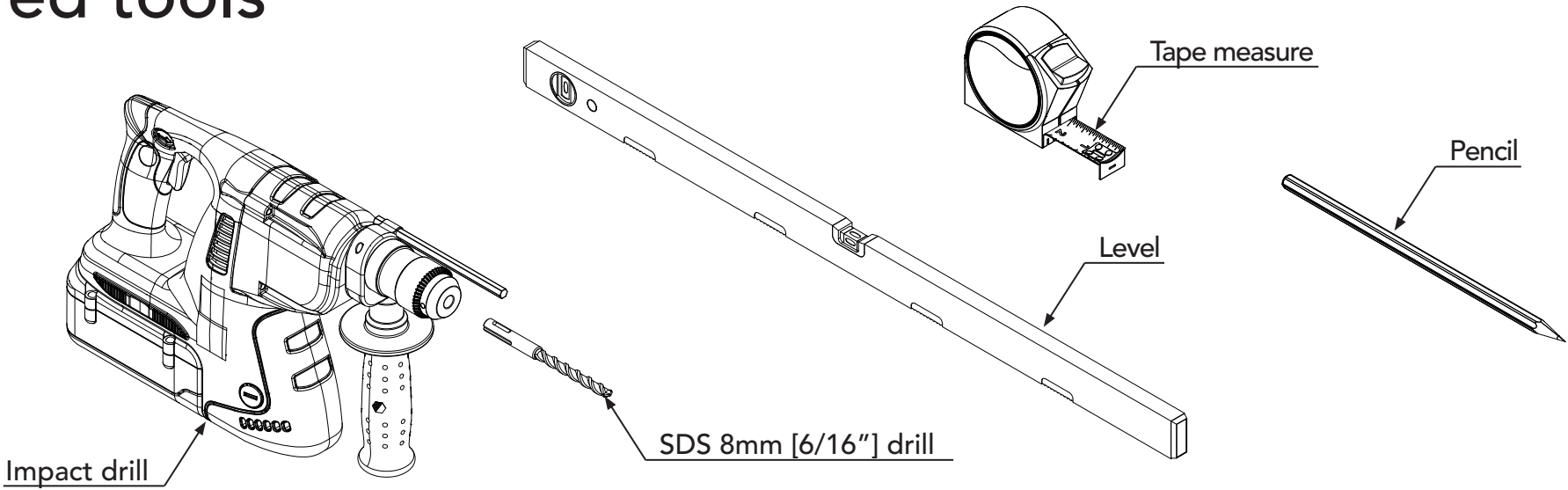


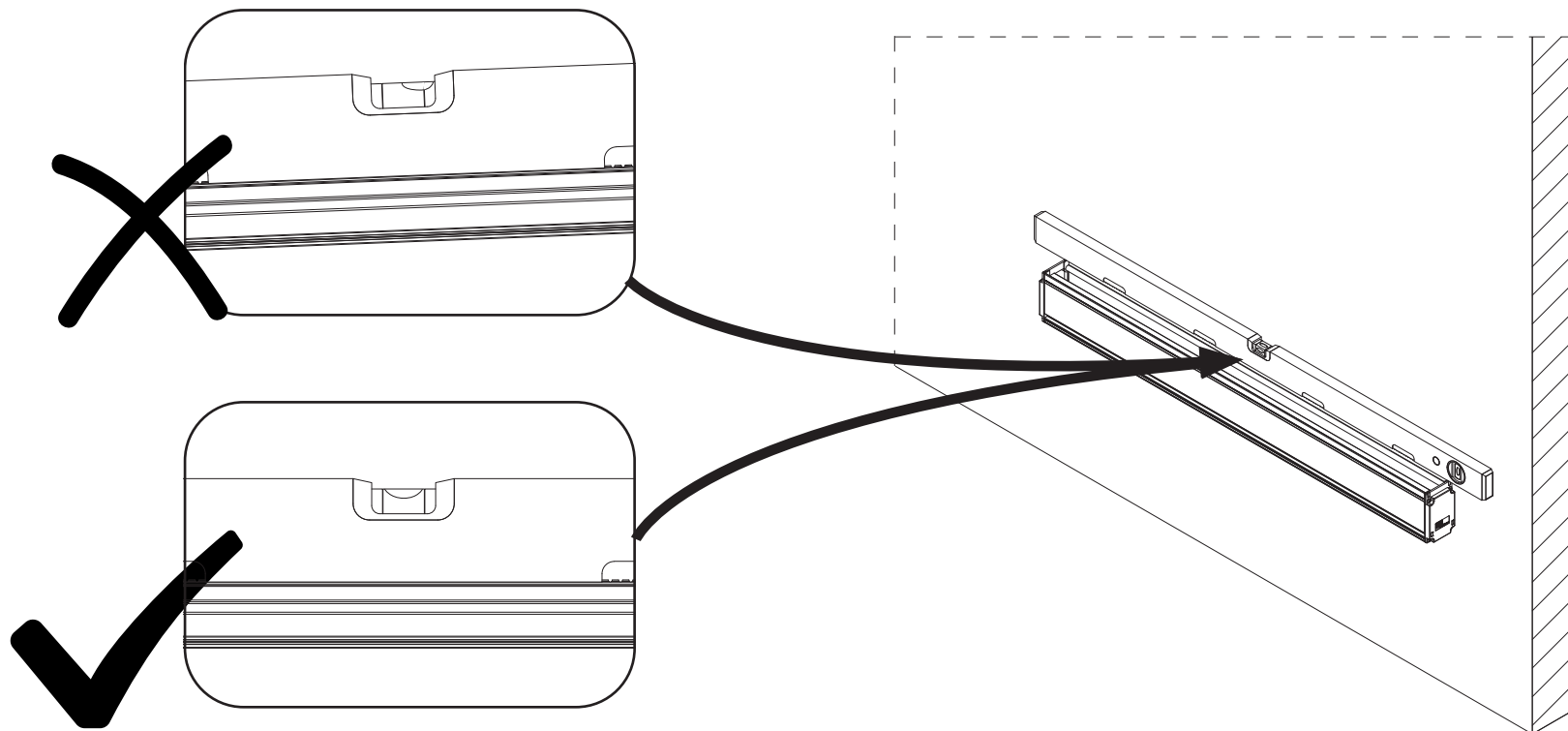
Included



Required tools



1



5,0x60 CK T25 RVS A2

Fischer UX 8x50

SDS 8mm [5/16"]

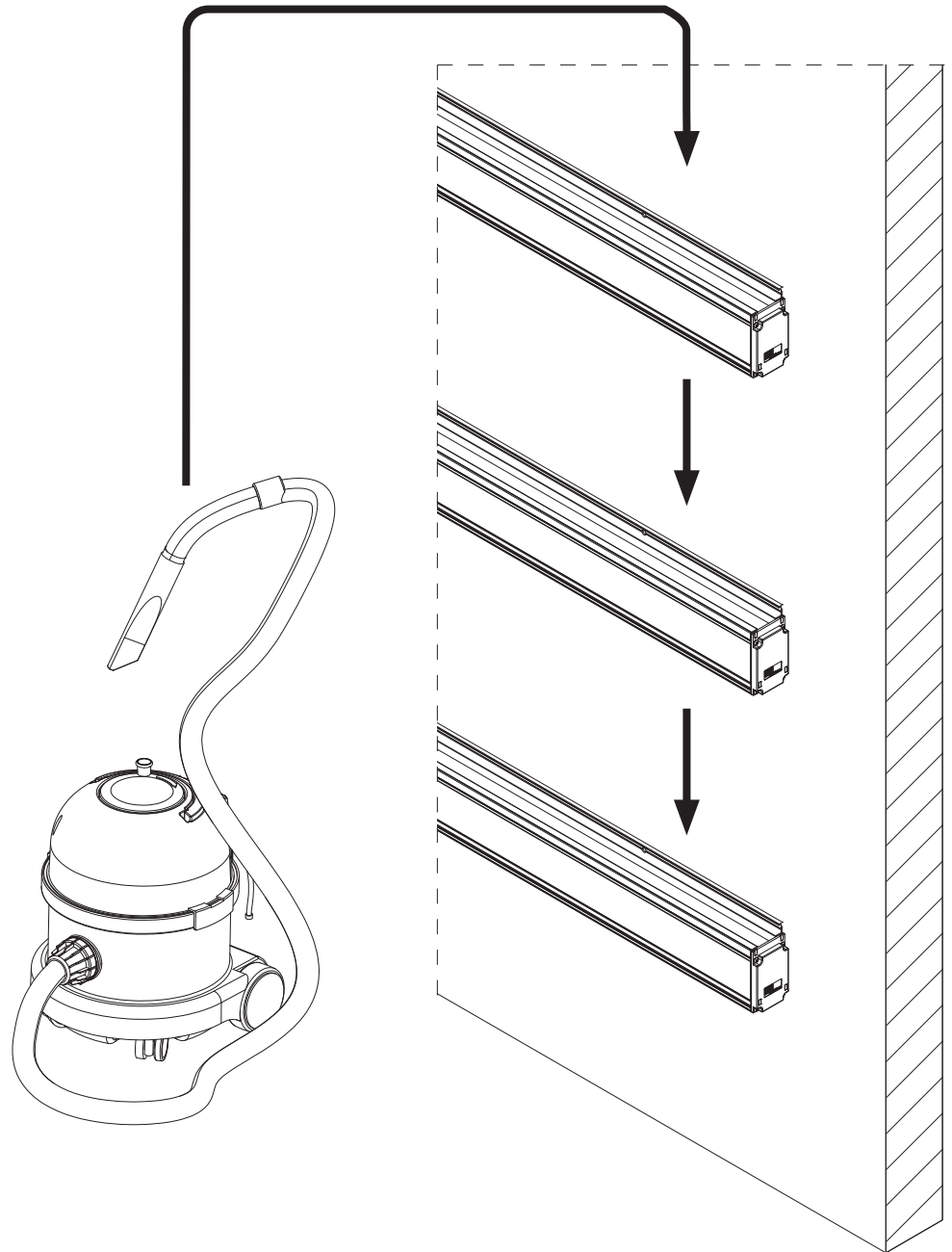
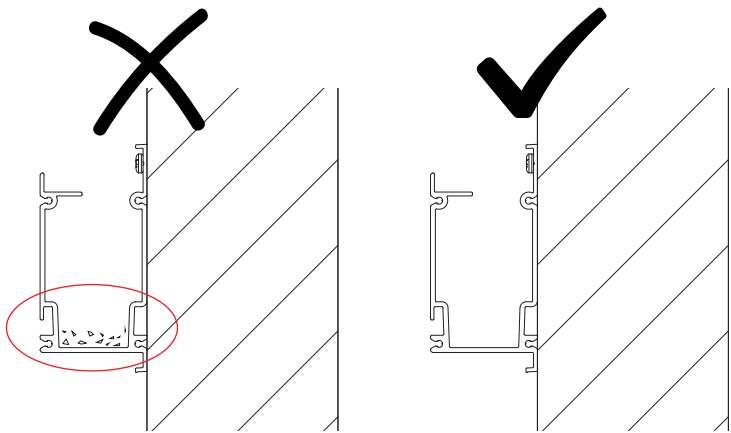
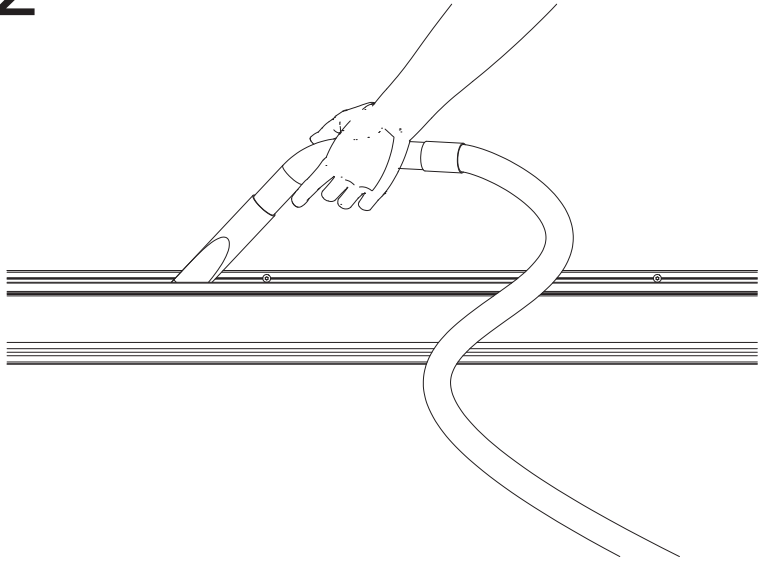
4Nm

2,5Nm (Dry wall)
>18mm

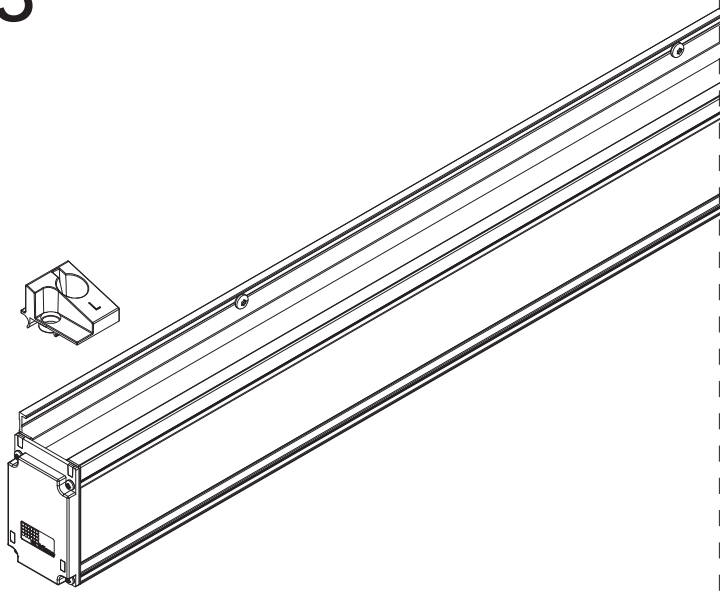
T25 Bit

60mm [2,36"]

2

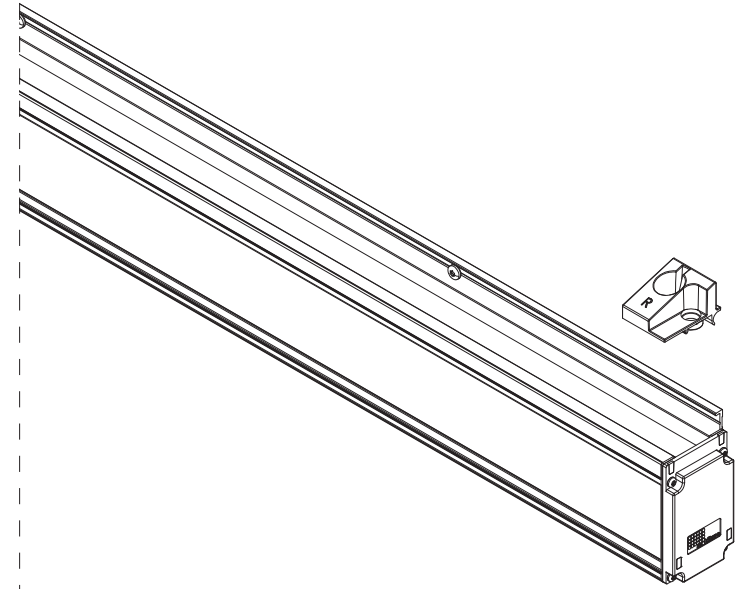


3

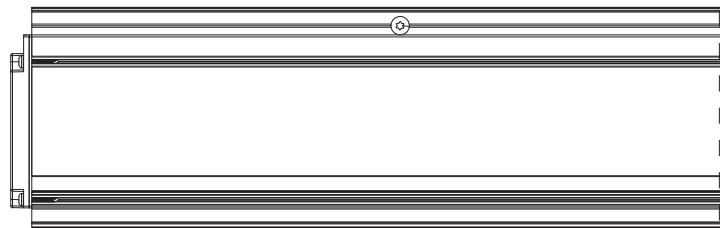


INSTALL
INCLUDED
FUNNEL BLOCK

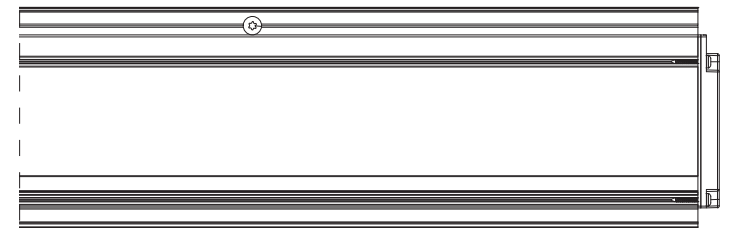
← OR →

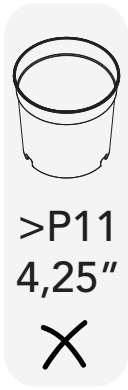


↓
click!

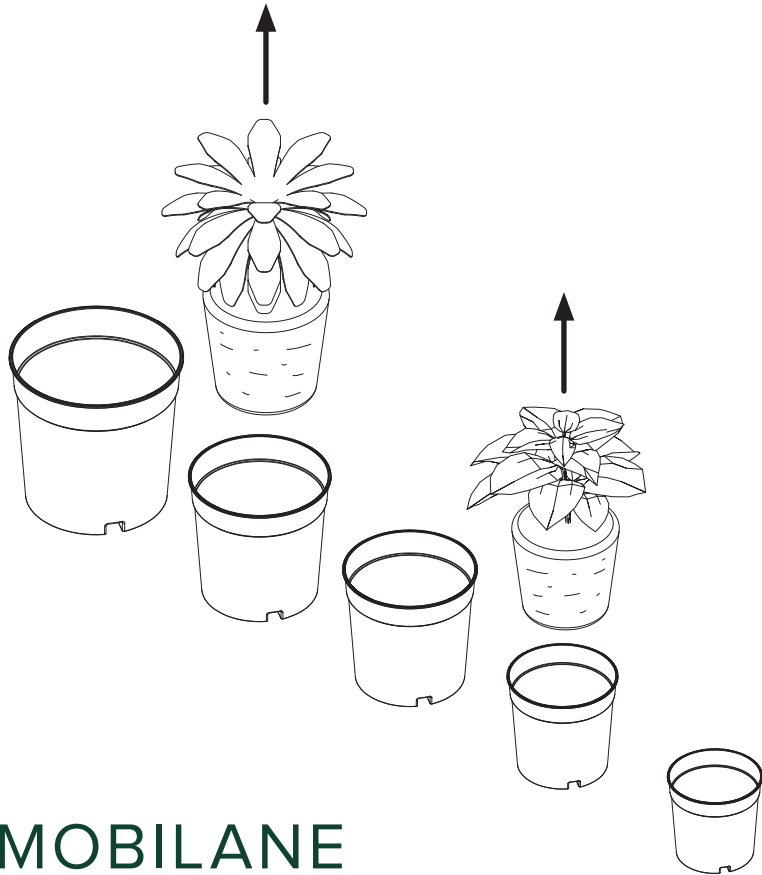


↓
click!





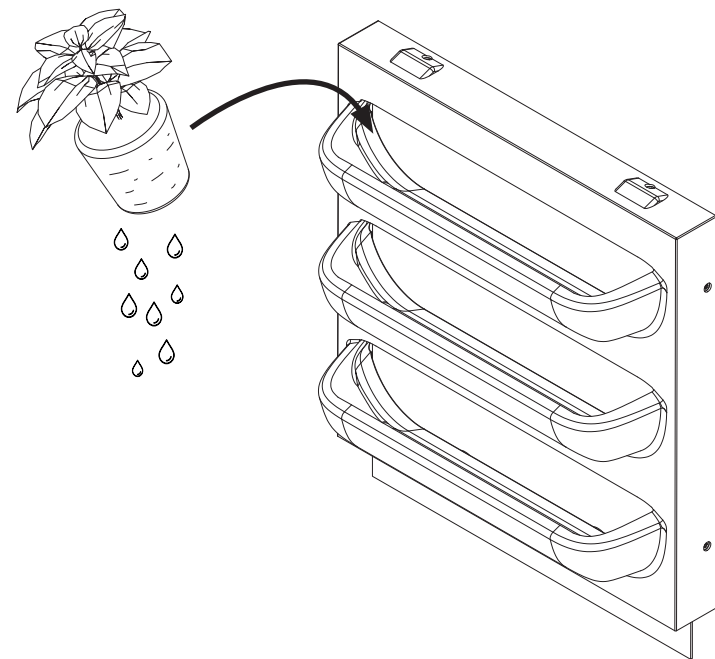
4A



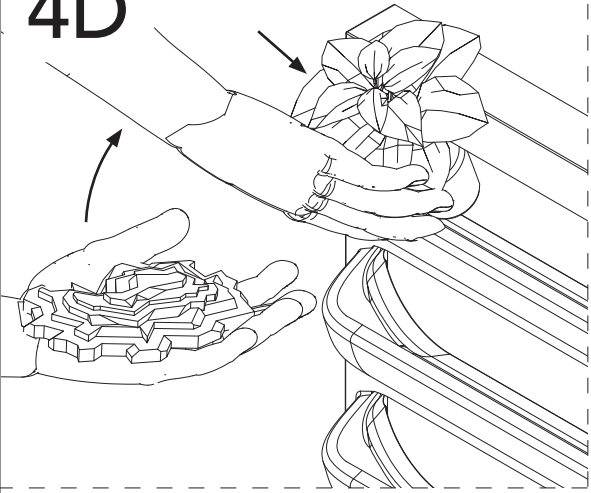
4B



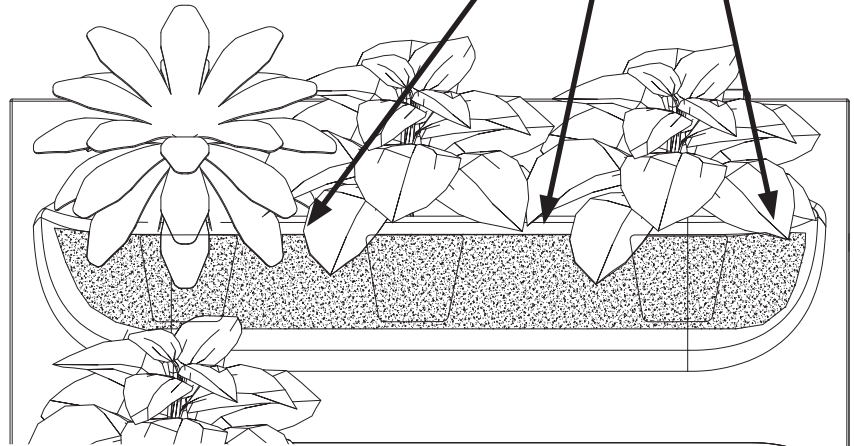
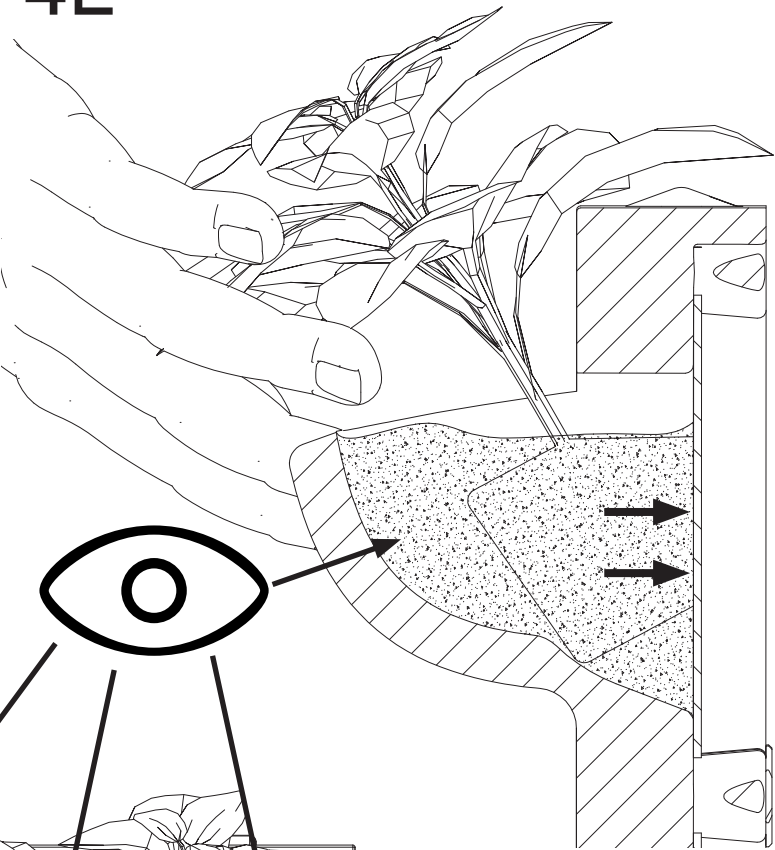
4C



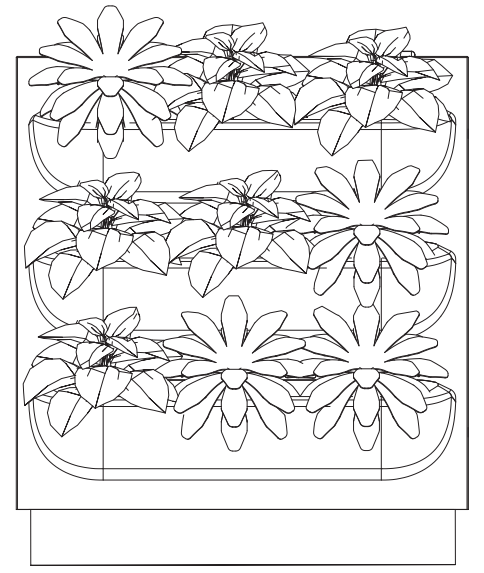
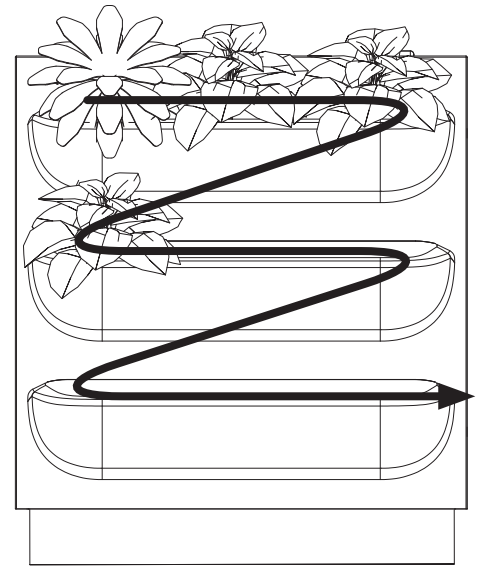
4D



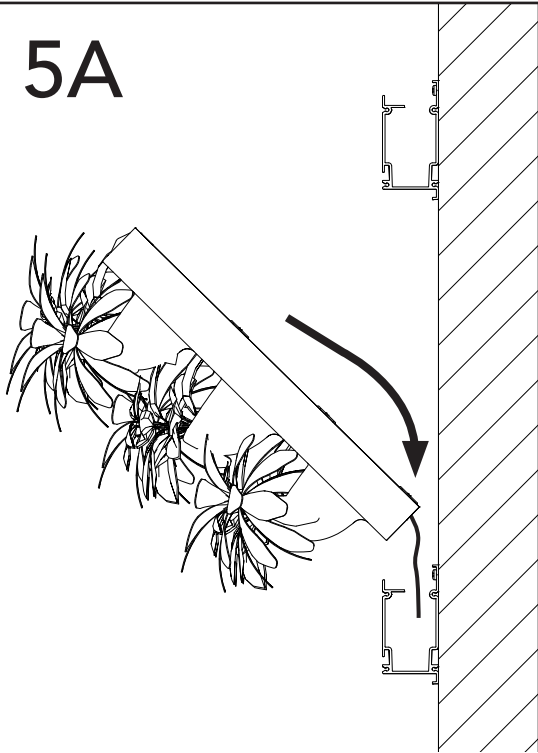
4E



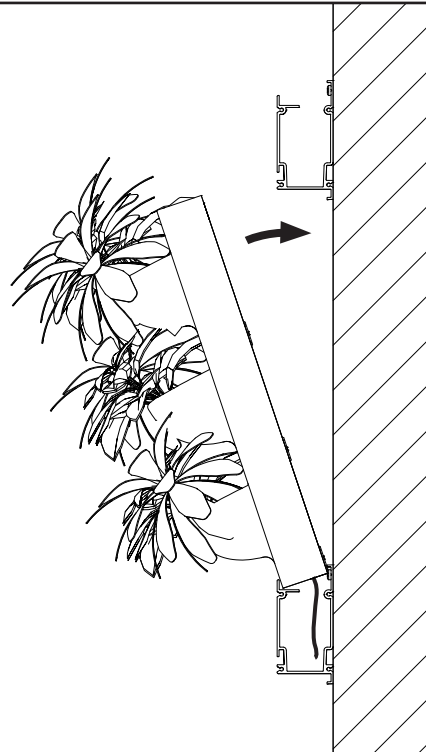
4F



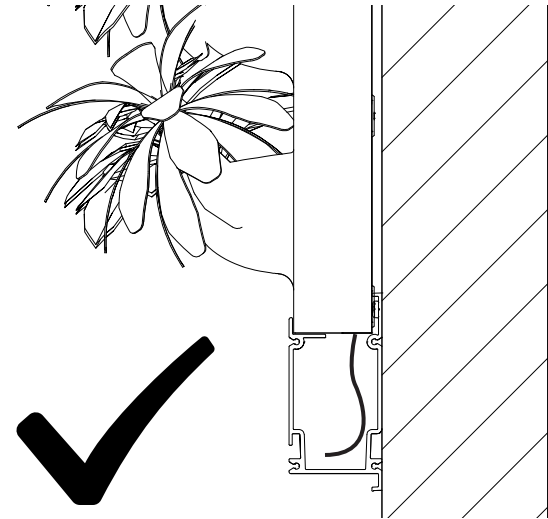
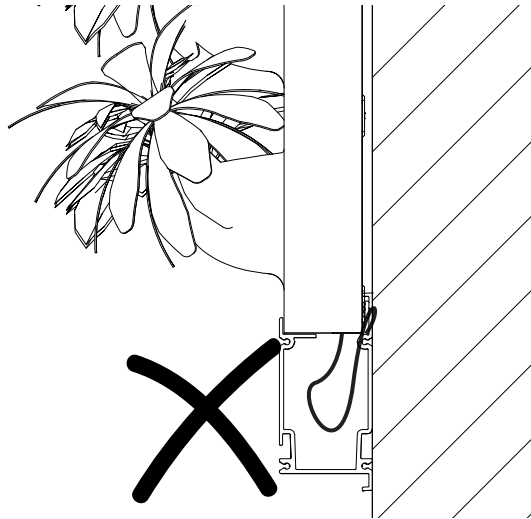
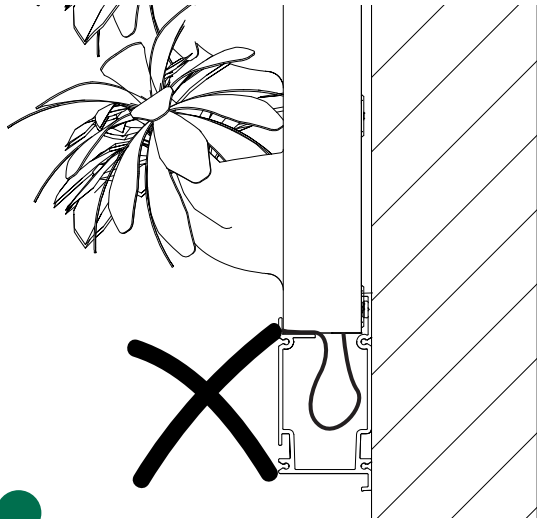
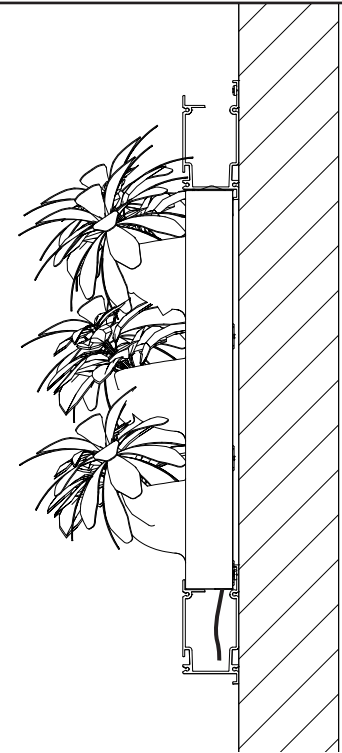
5A



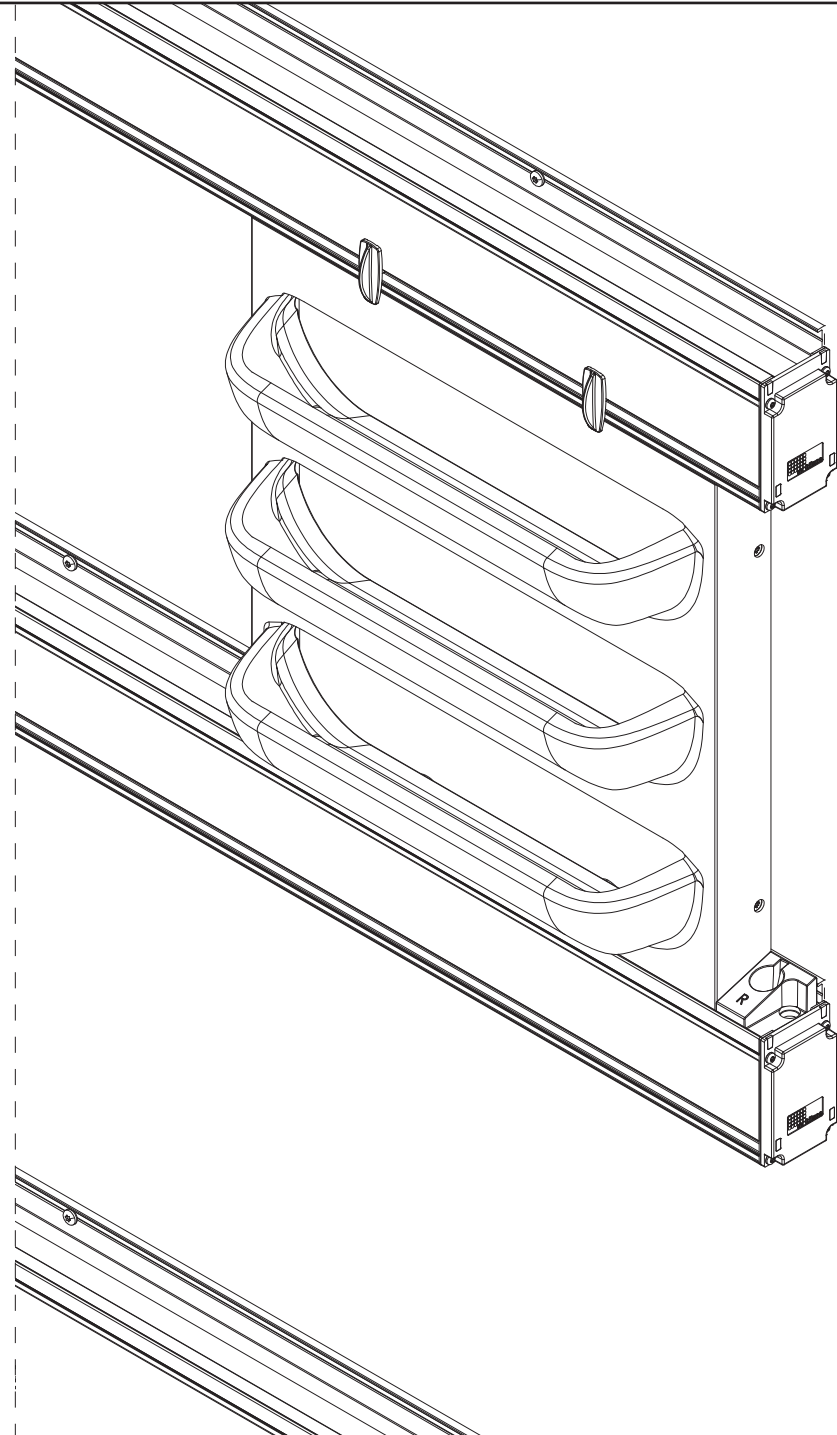
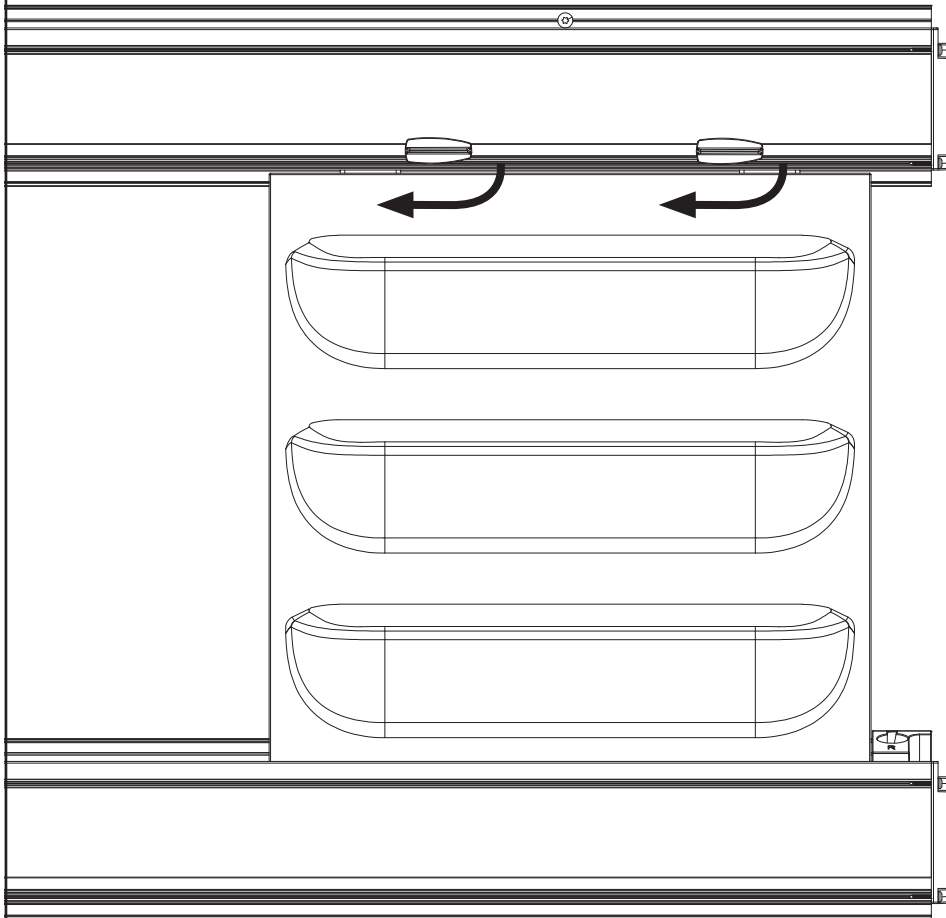
5B



5C



6



7

