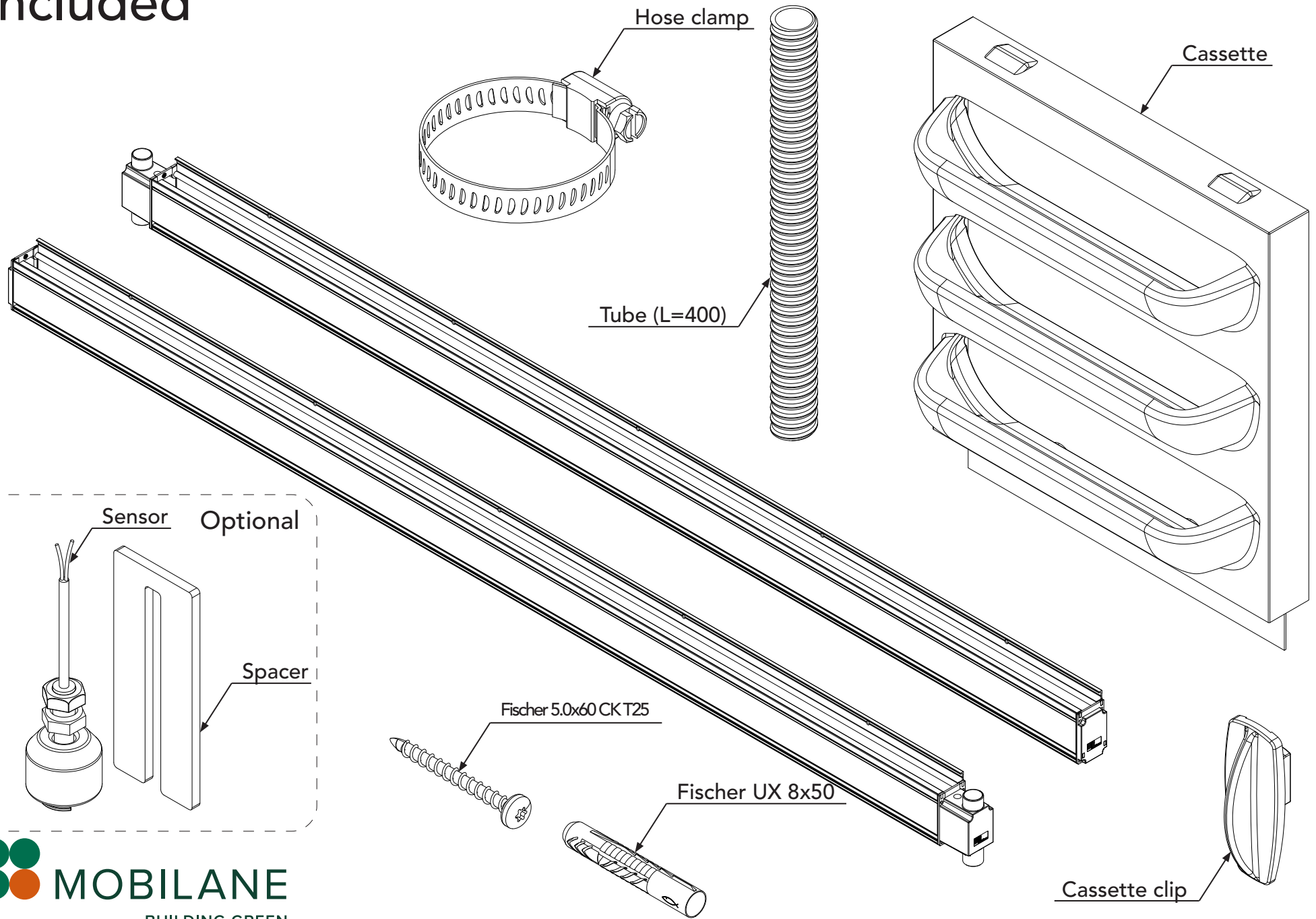
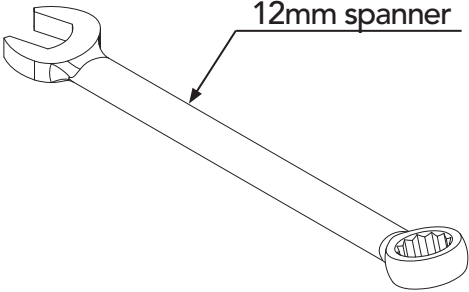
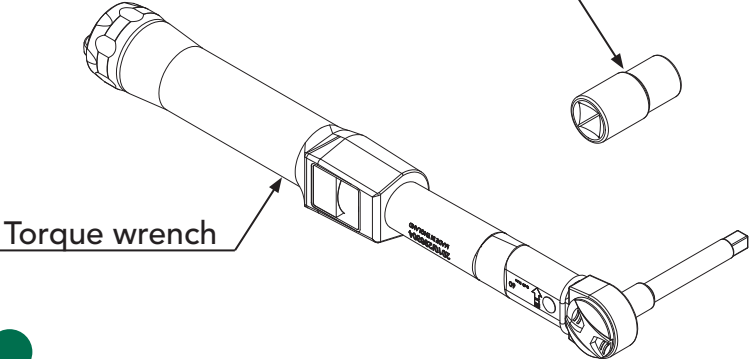
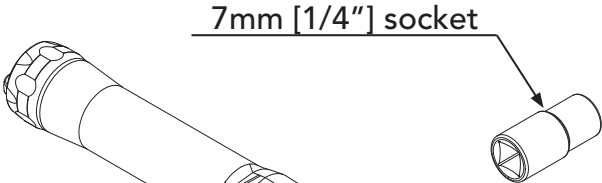
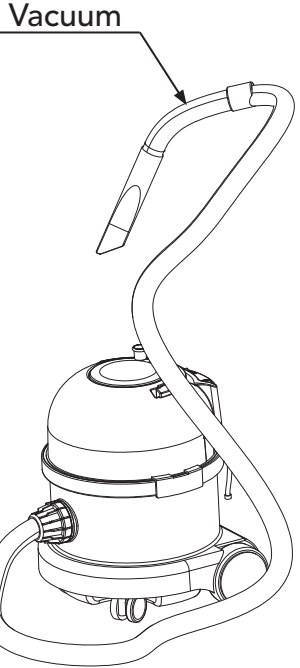
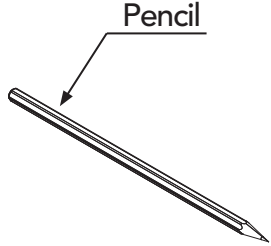
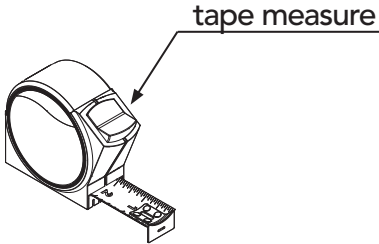
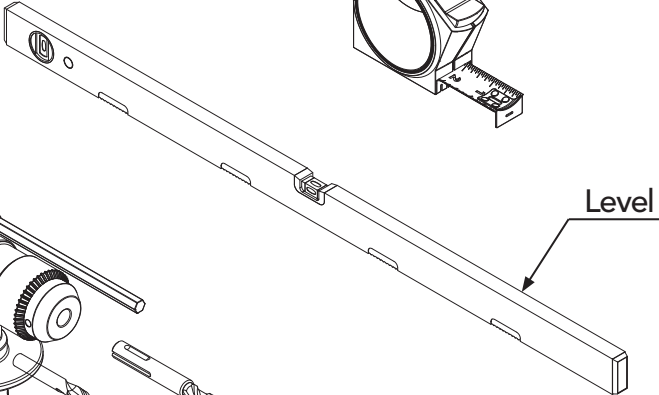
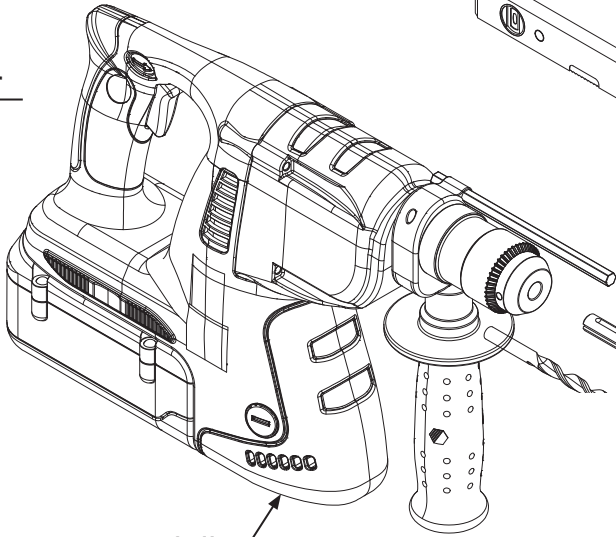
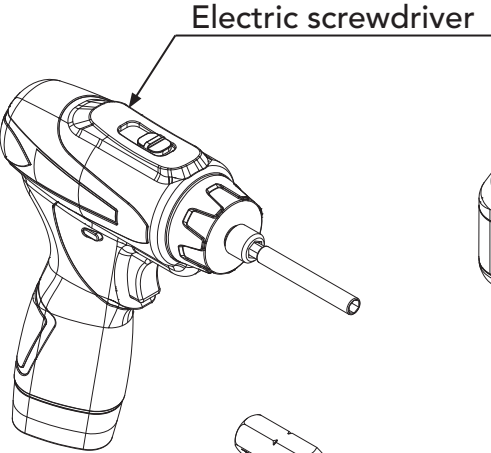




Included

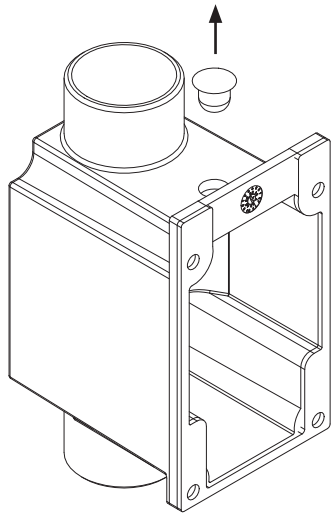
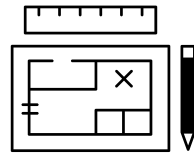


Required tools

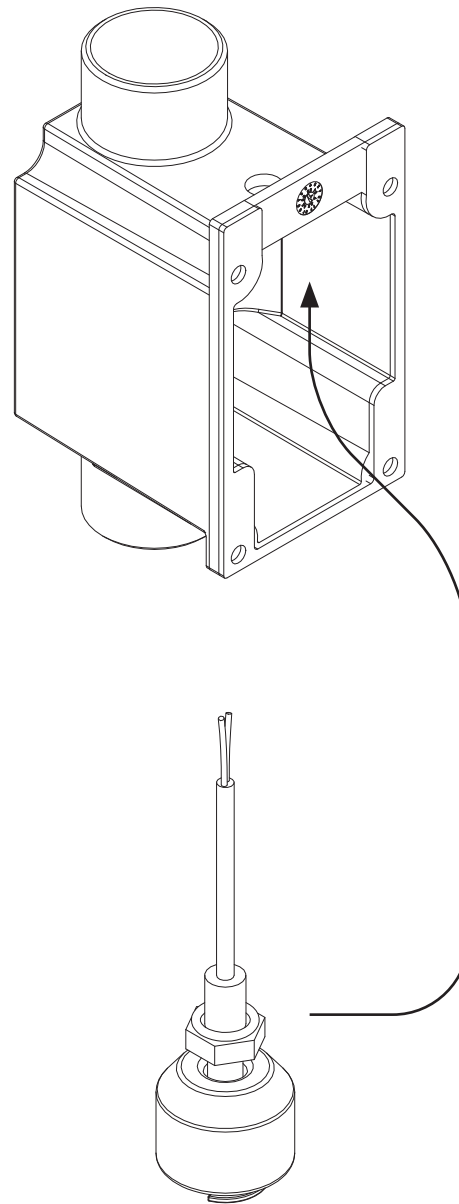


1A

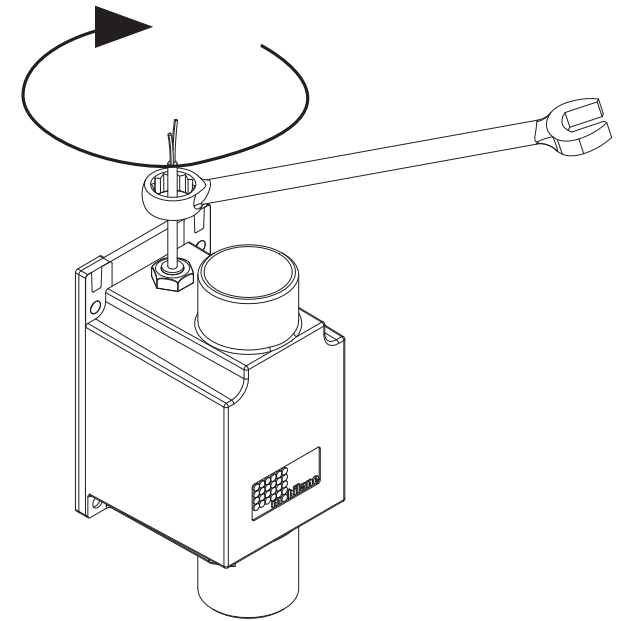
Optional
Check technical
drawing for location of
sensors



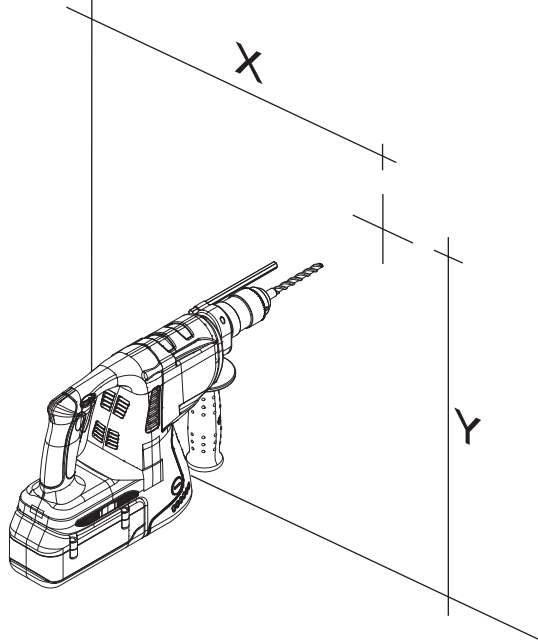
1B



1C

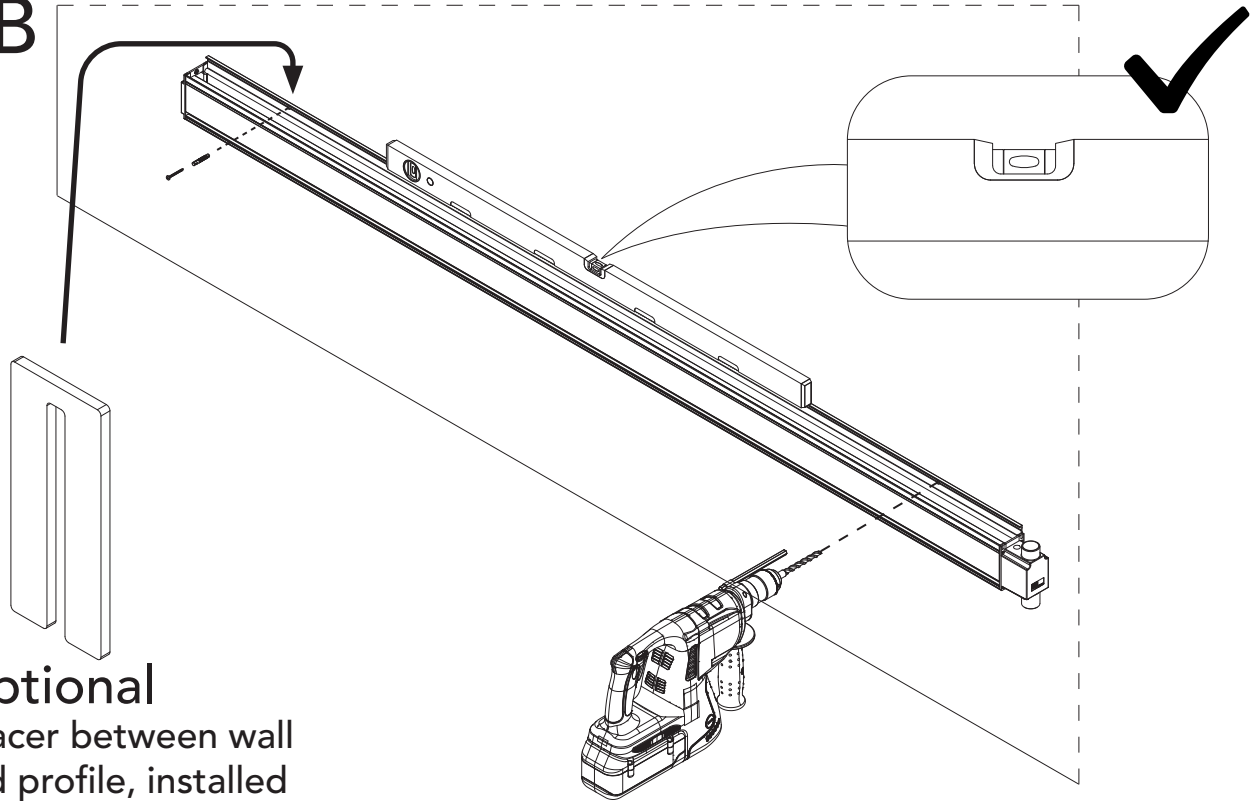


2A



Check technical drawing for drill pattern

2B



Optional
Spacer between wall
and profile, installed
over screw

5,0x60 CK T25 RVS A2

Fischer UX 8x50

SDS 8mm [5/16"]

4Nm

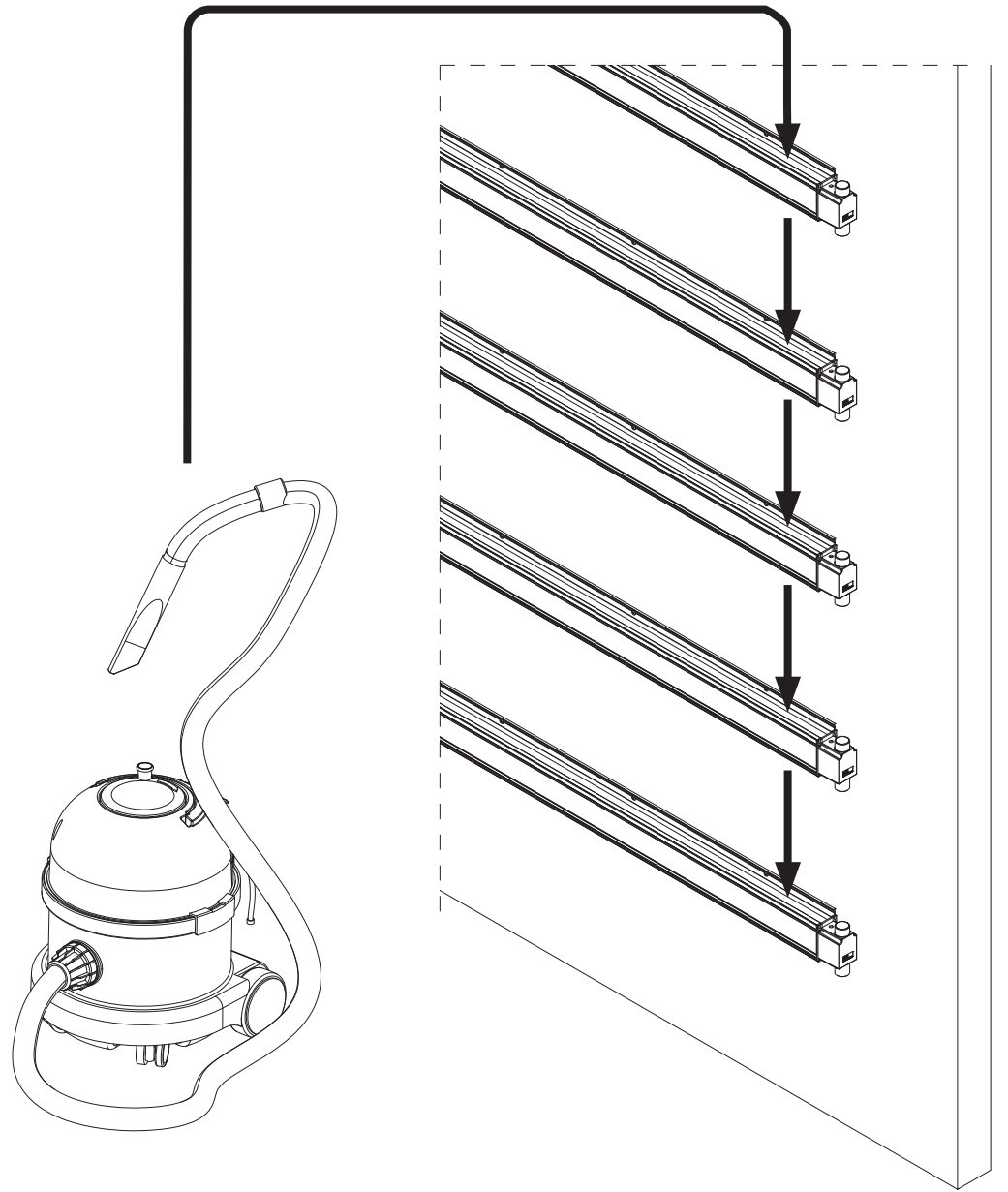
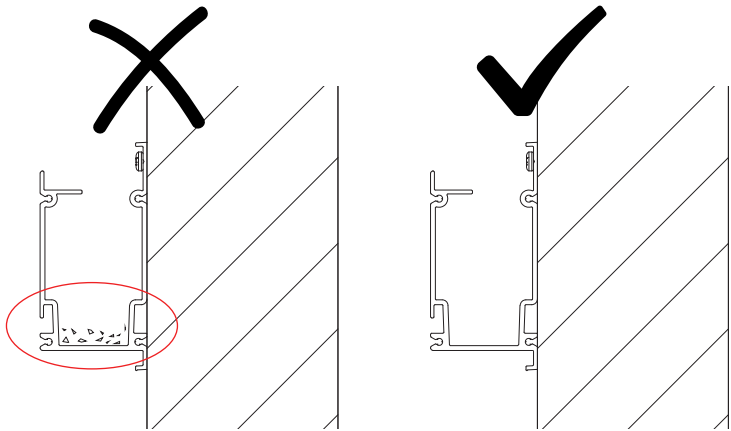
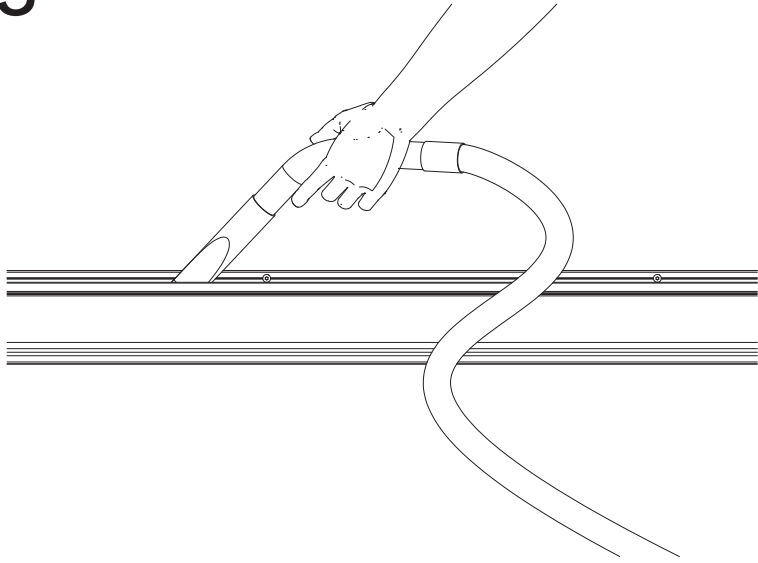
2,5Nm (Dry Wall)
>18mm

T25 Bit

60mm [2,36"]

Optional
5mm Spacer

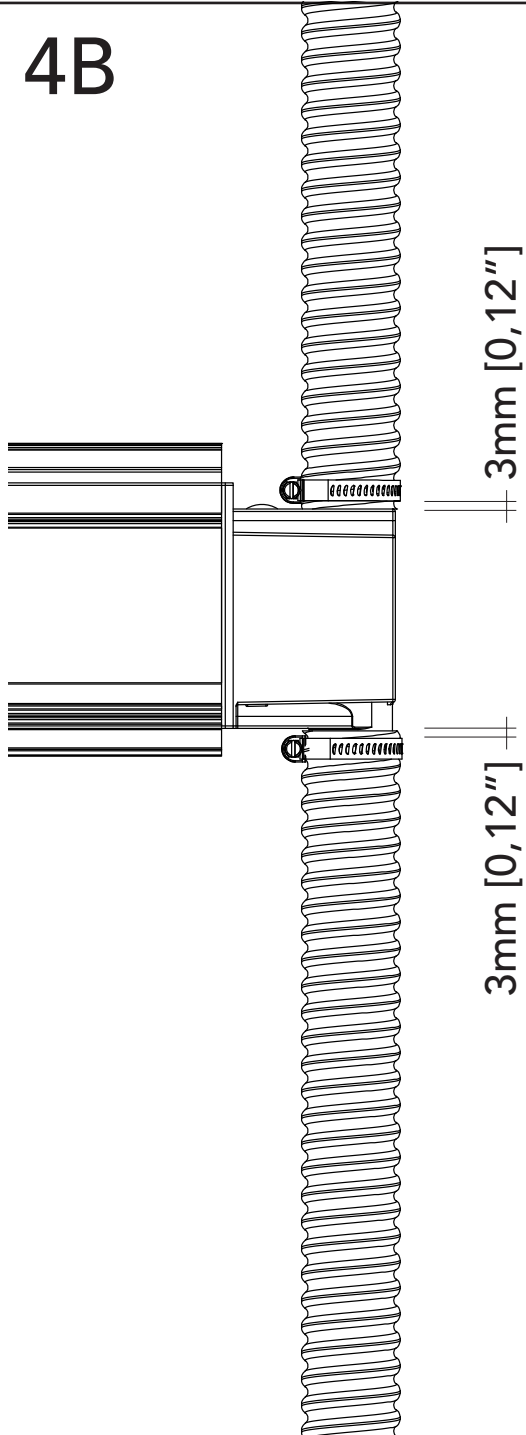
3



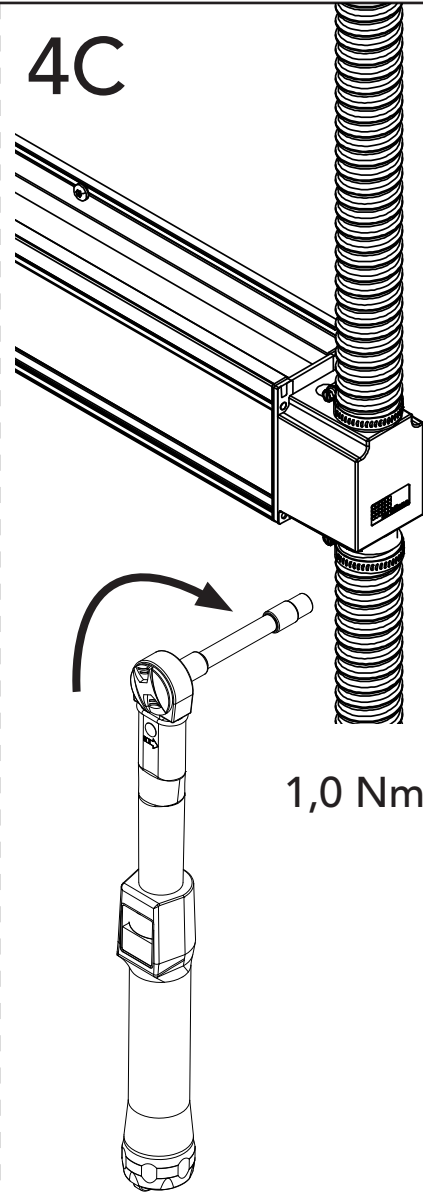
4A



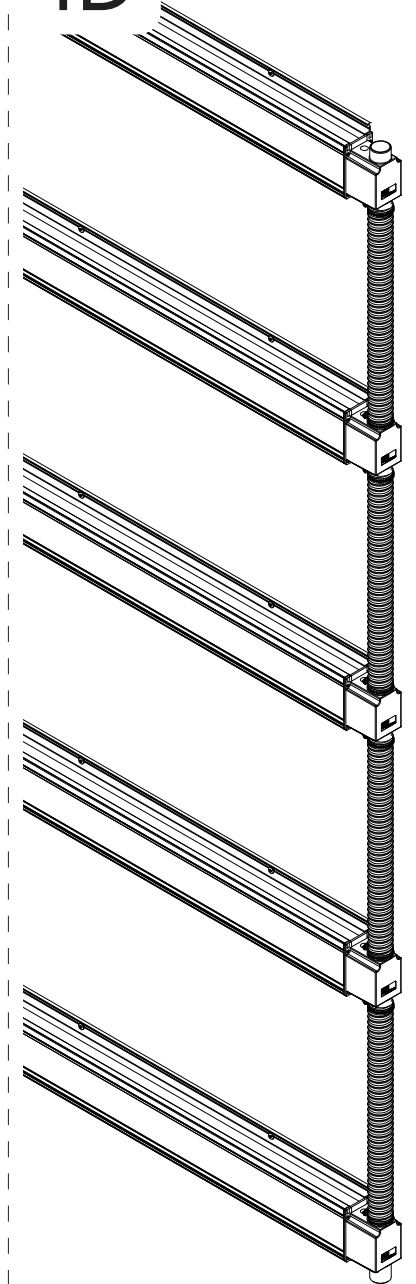
4B



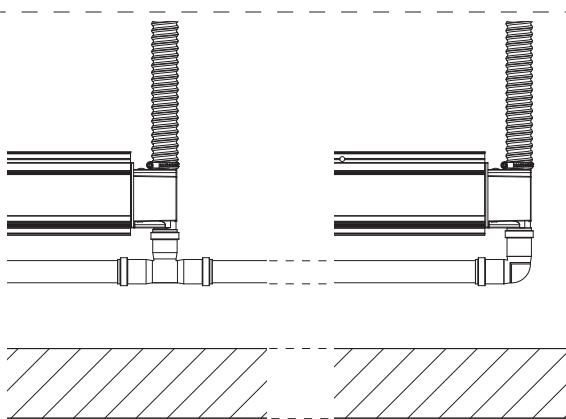
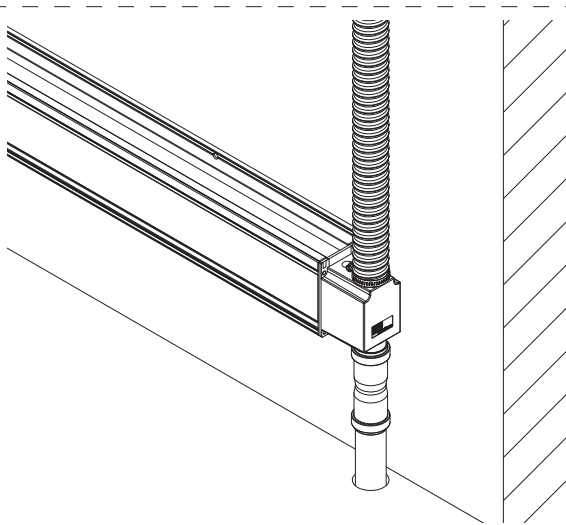
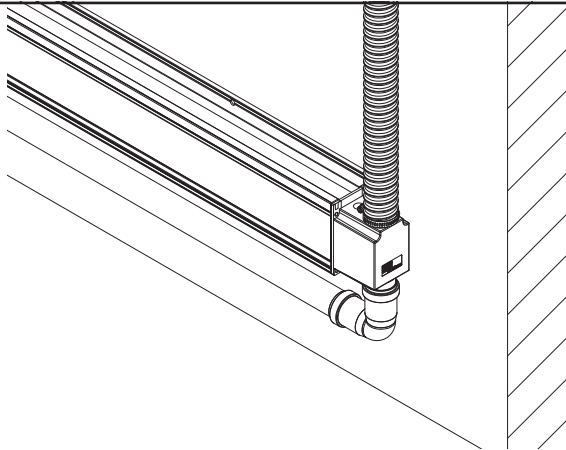
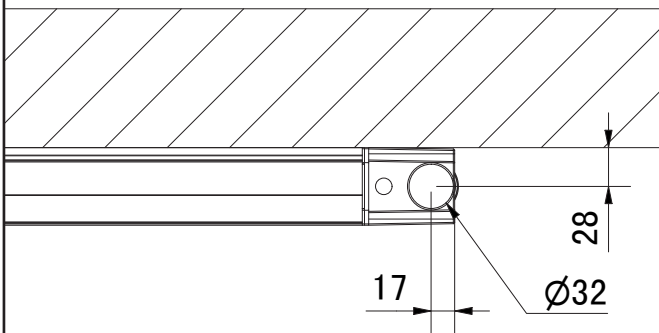
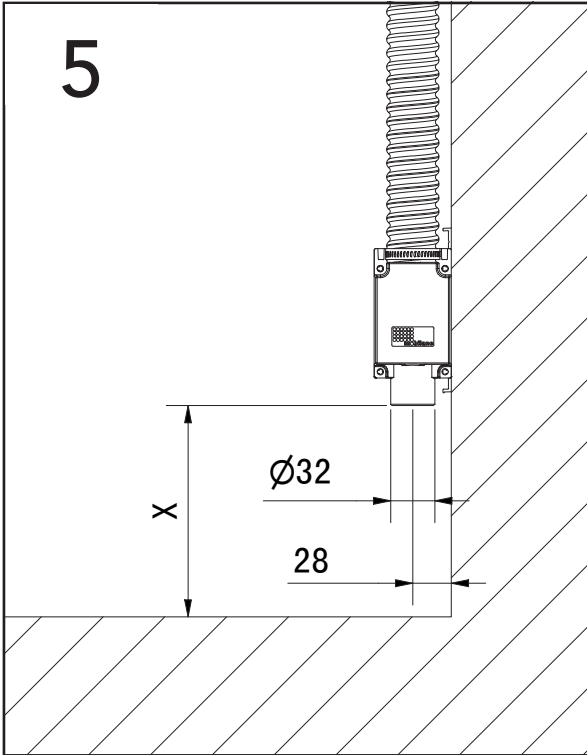
4C



4D



5



Example 1

Run drainage pipe above ground in direction of sewer connection.*

Example 2

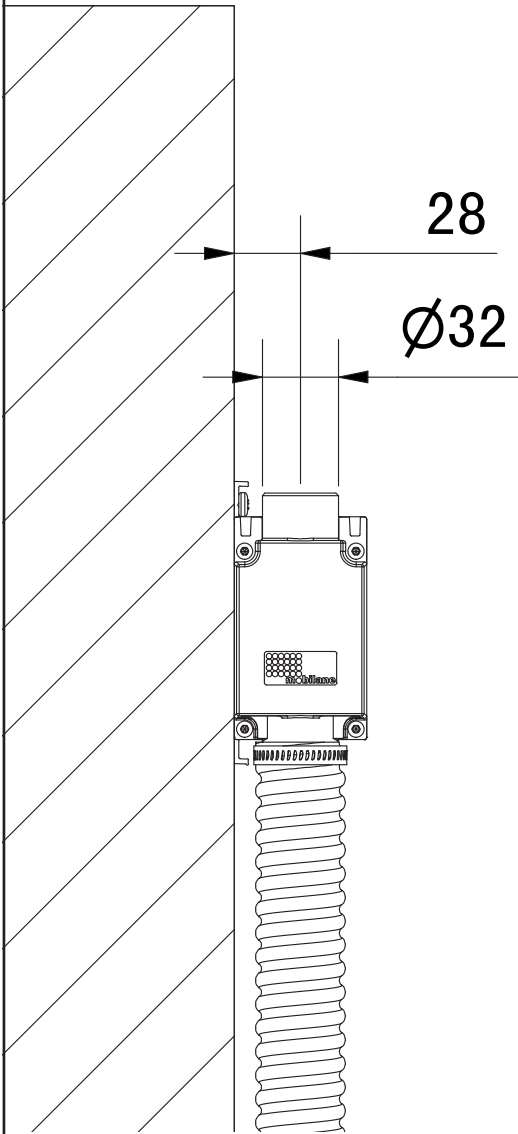
Run drainage pipe underground or through wall to sewer connection.*

Example 3

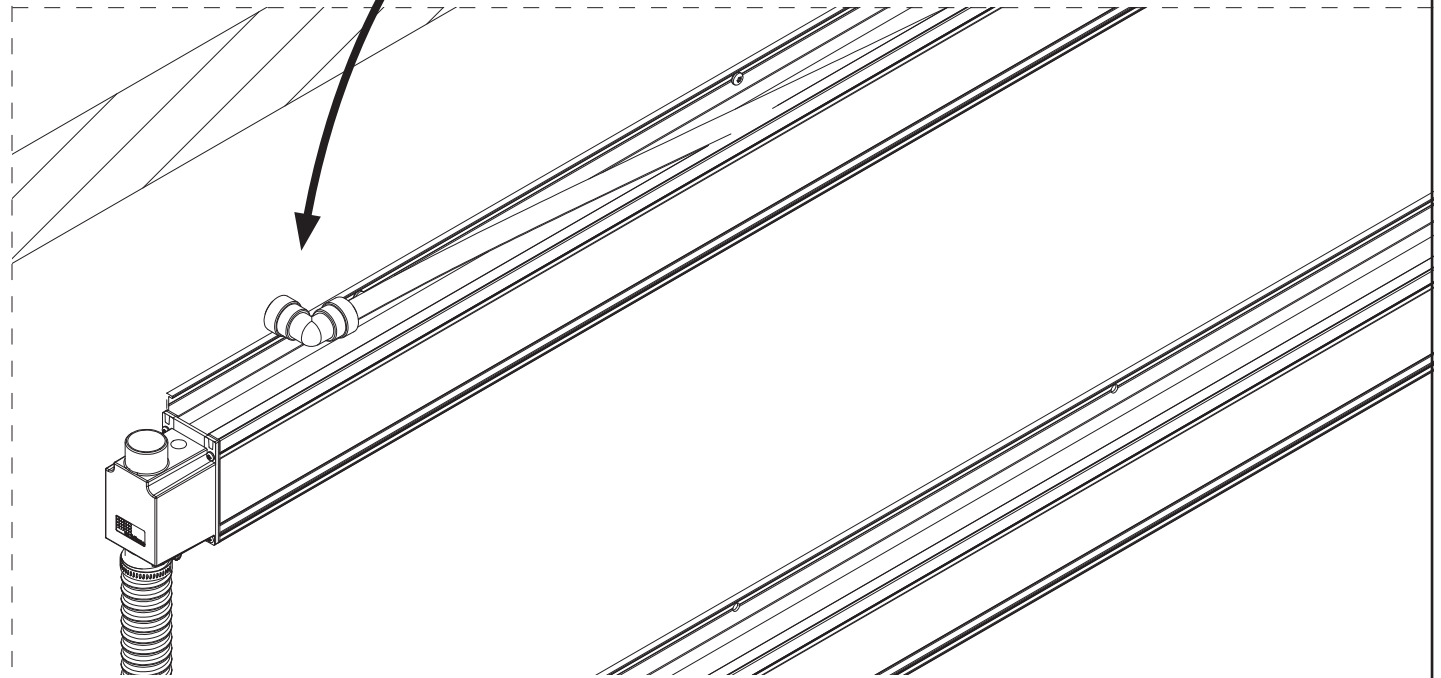
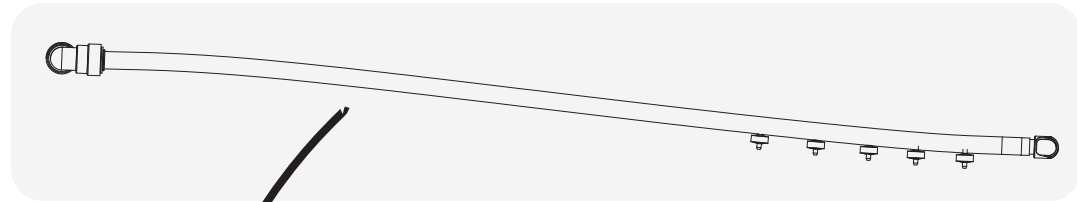
Connect multiple walls to one drain pipe.*

* Note: add odour trap before connecting to sewer

6



It is recommended to use 5 x 12L/h drippers instead of letting the water flow freely into the LivePanel system.

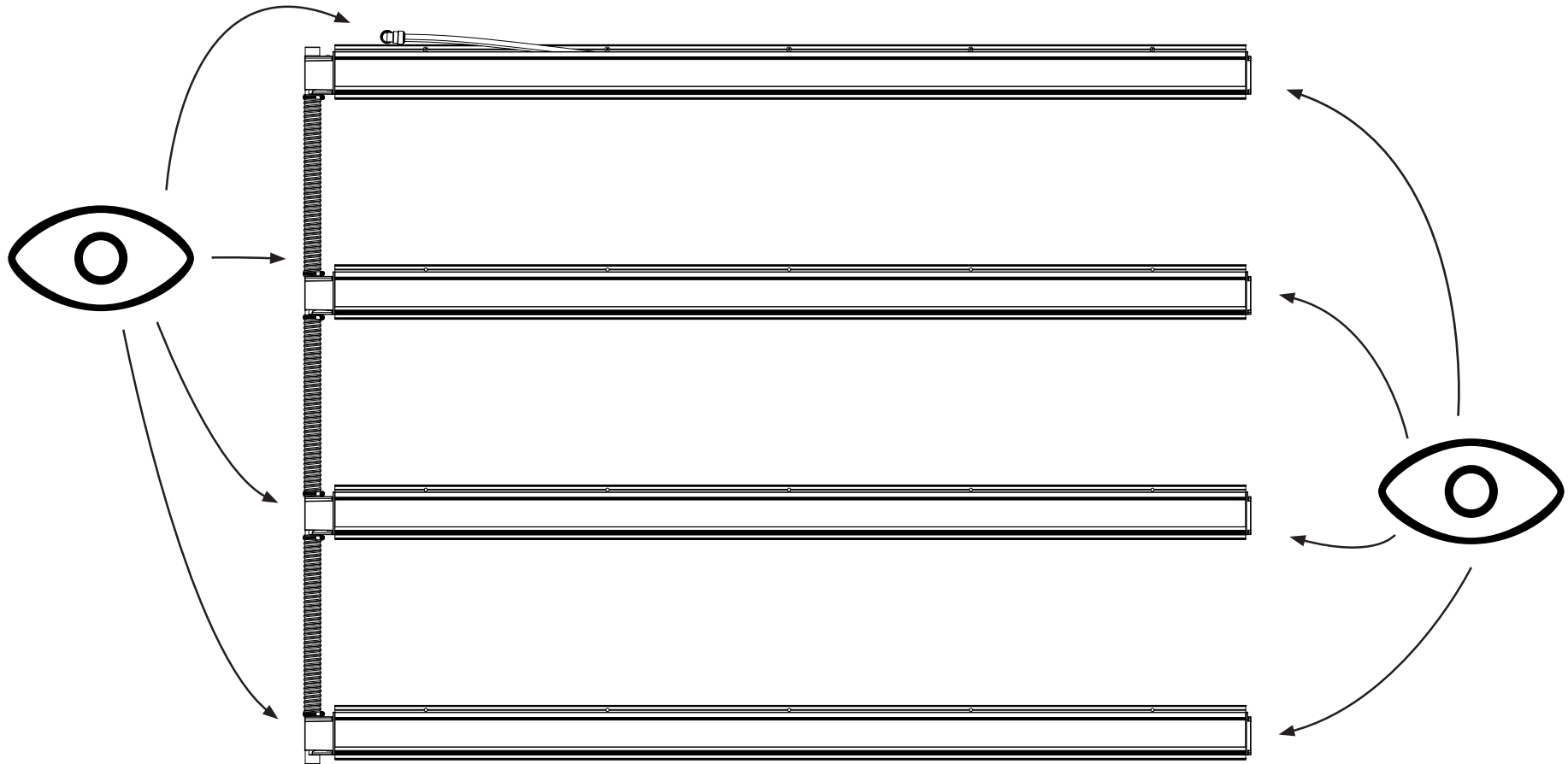


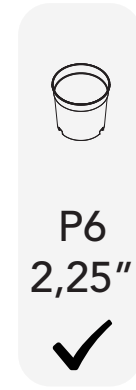
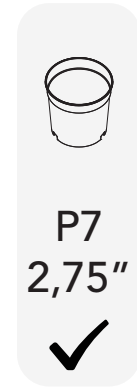
Example

16mm PE pipe → Knee push-fit → 16mm PE hose with drippers

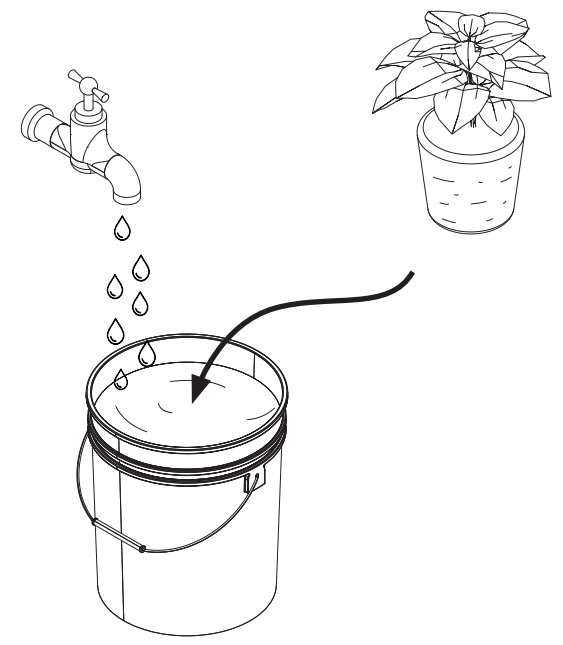
7

- Install irrigation unit.
- Run system to fill all profiles.
- Check for leakages.
- Check again for leakages after 24h.





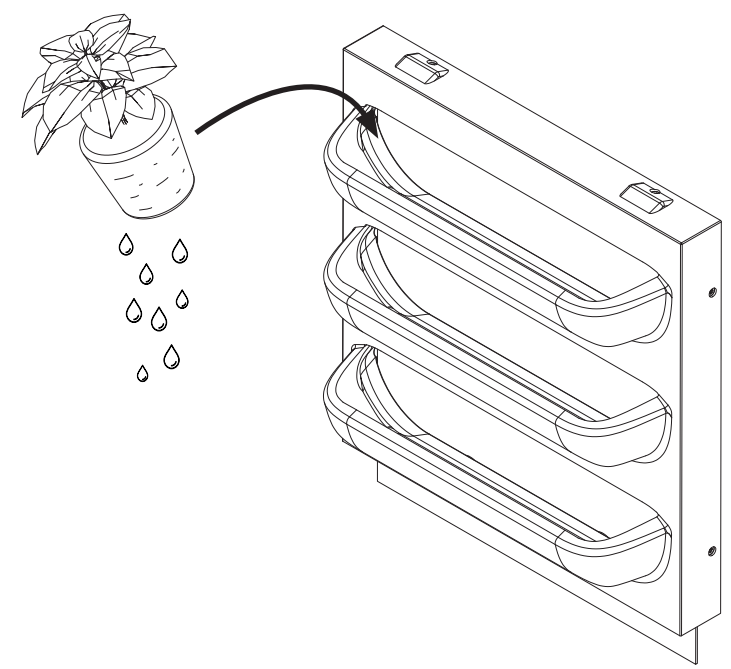
8B



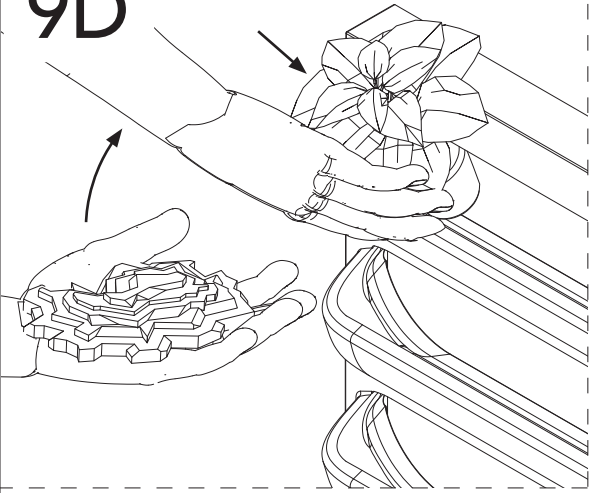
8A



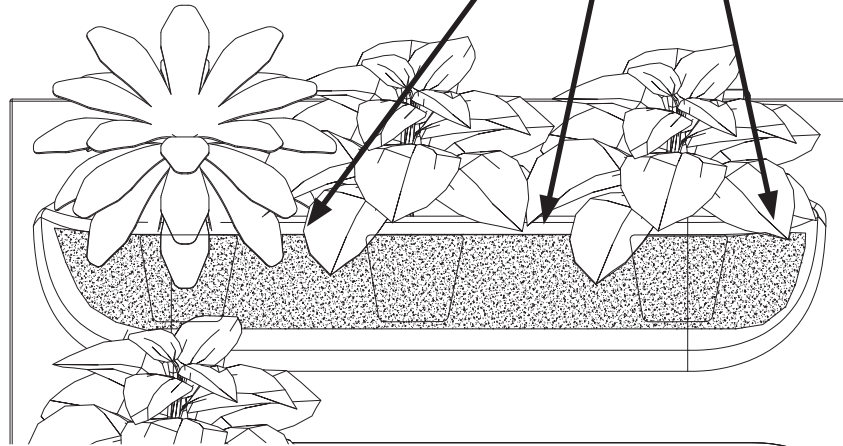
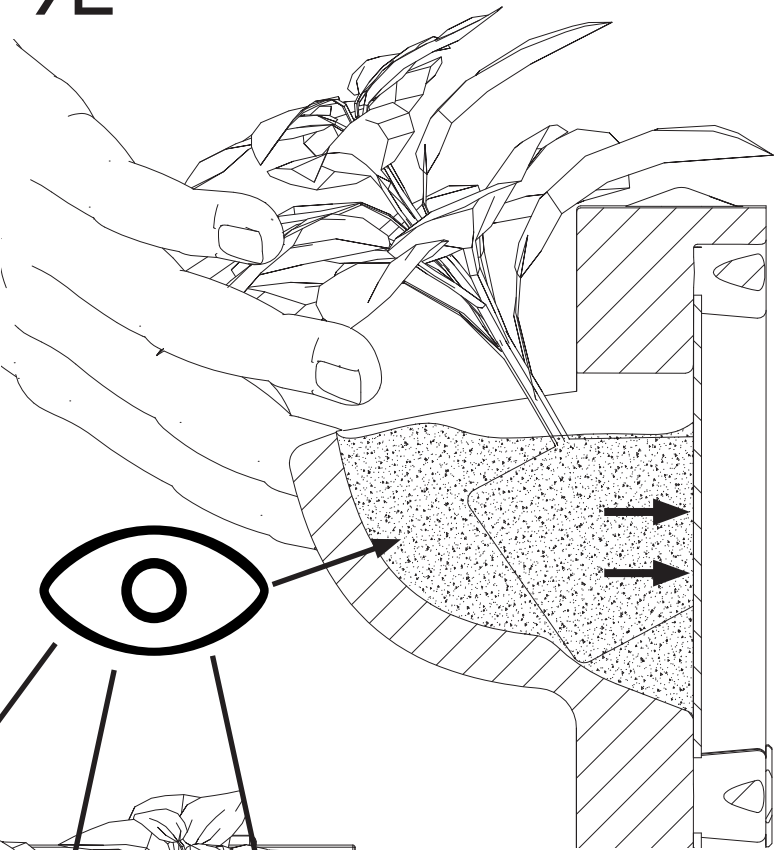
8C



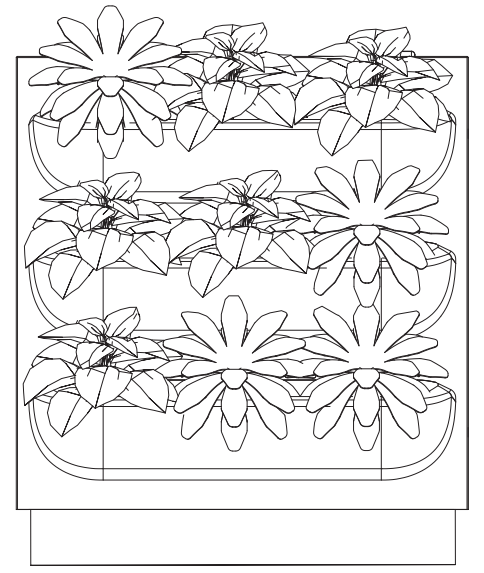
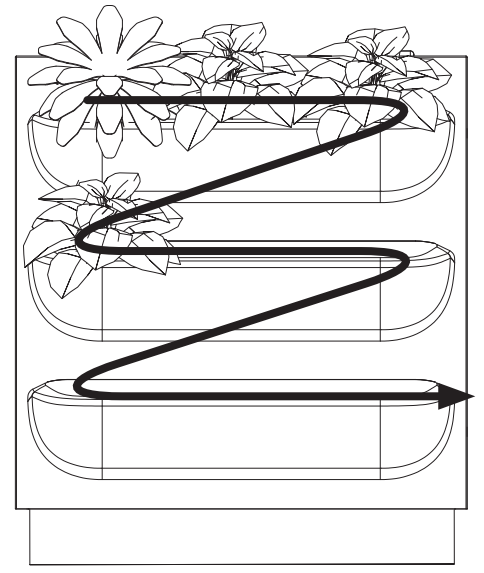
9D



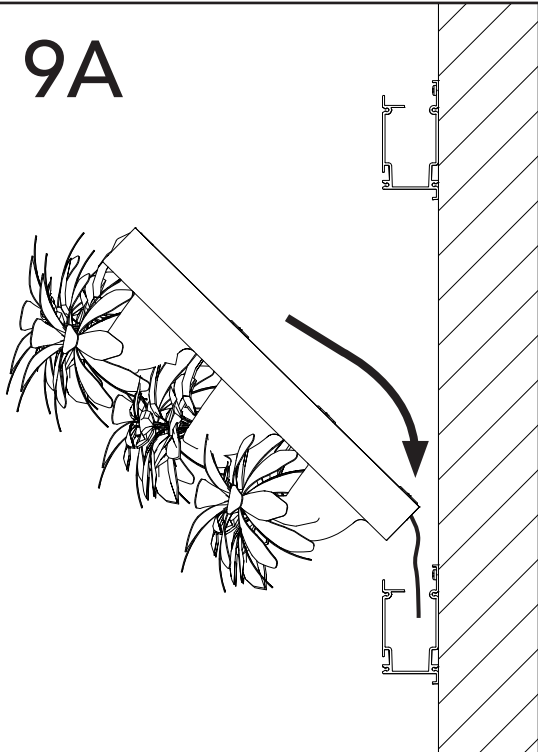
9E



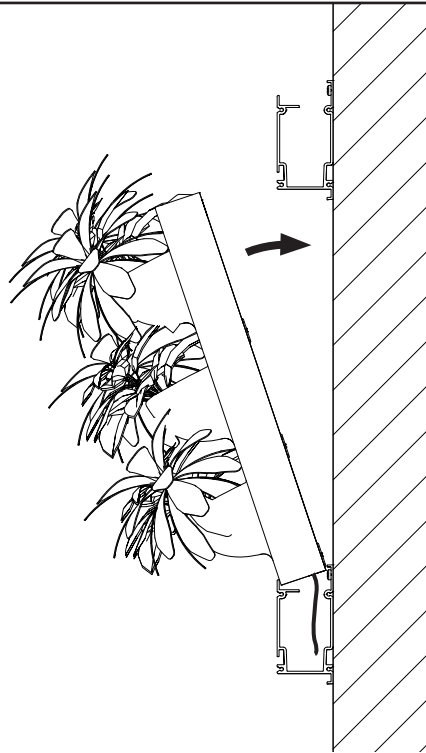
9F



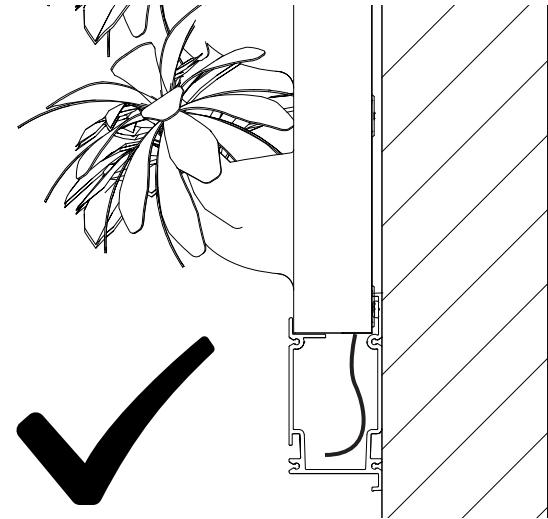
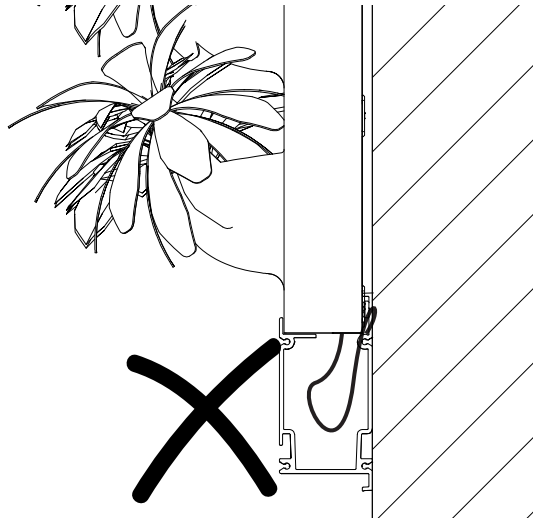
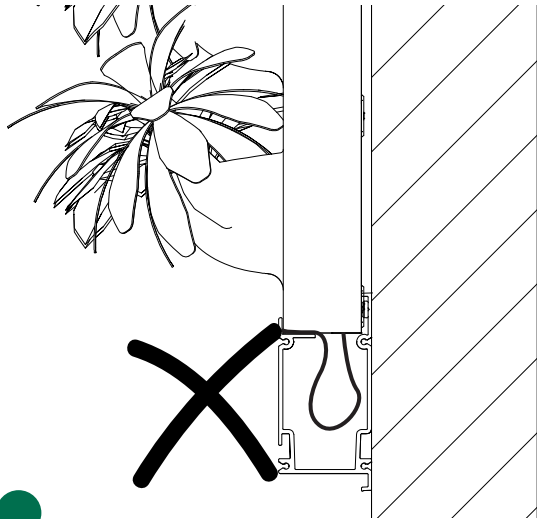
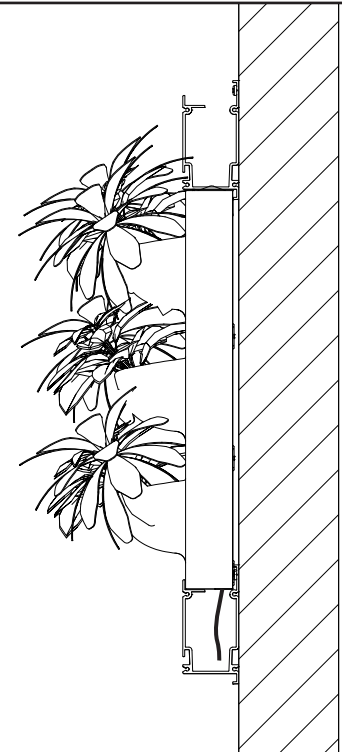
9A



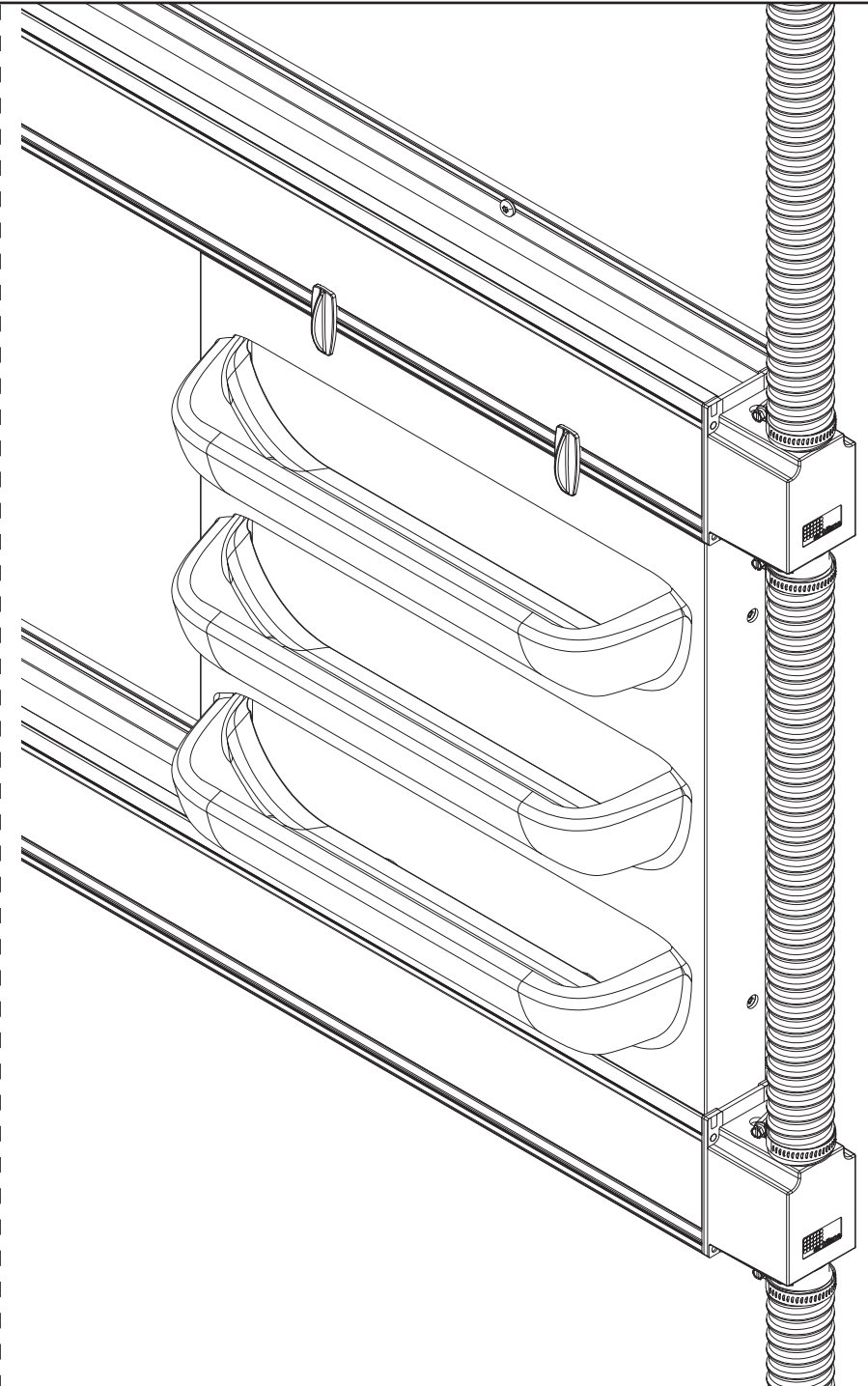
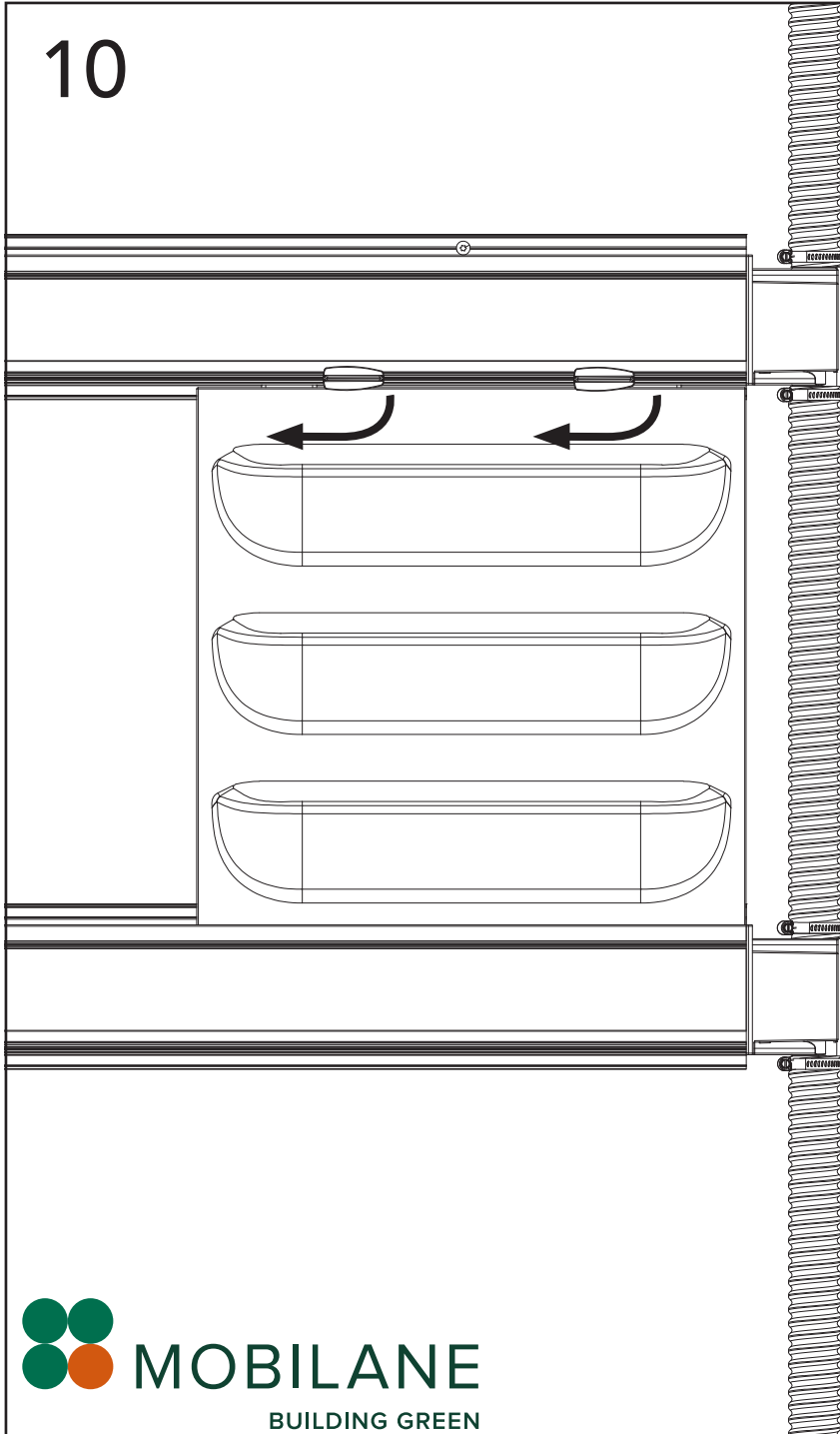
9B



9C



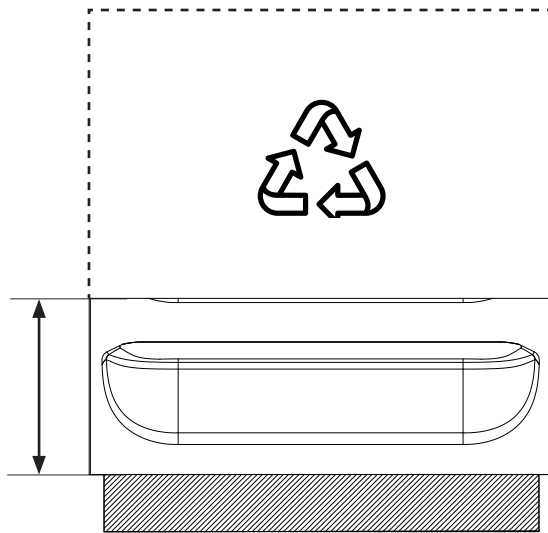
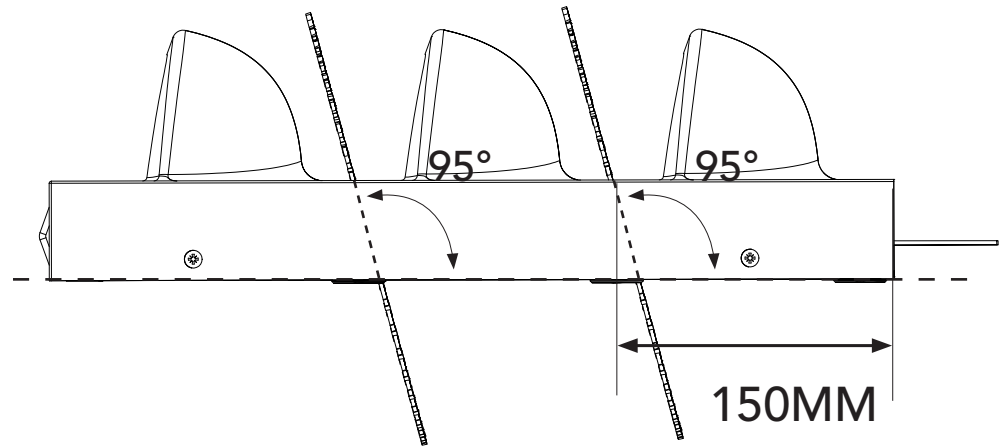
10



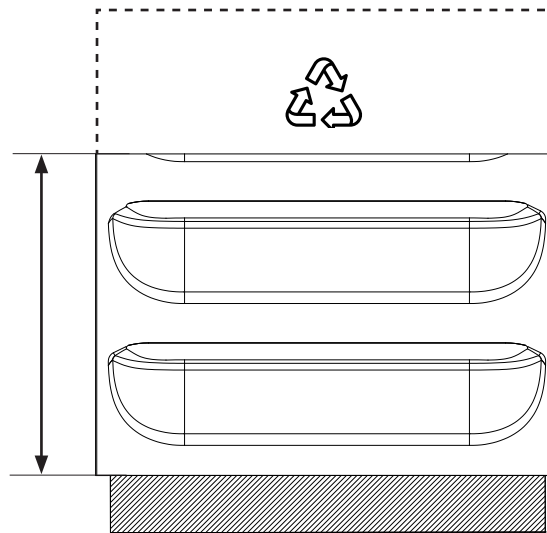
11

Optional:

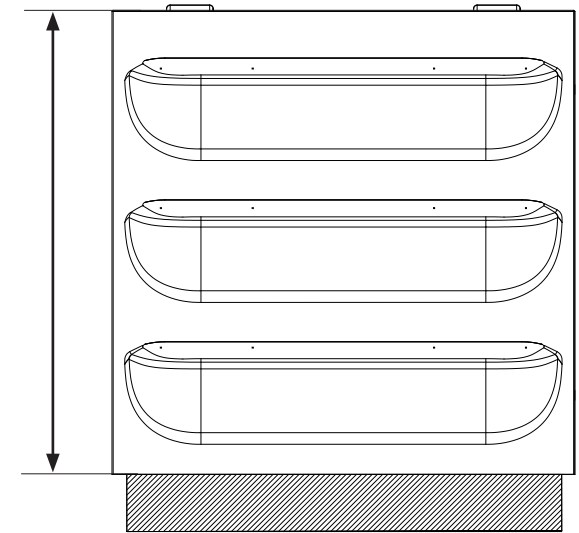
CUTTING CASSETTES IN CASE OF LESS AVAILABLE SPACE



150MM



275MM



401MM