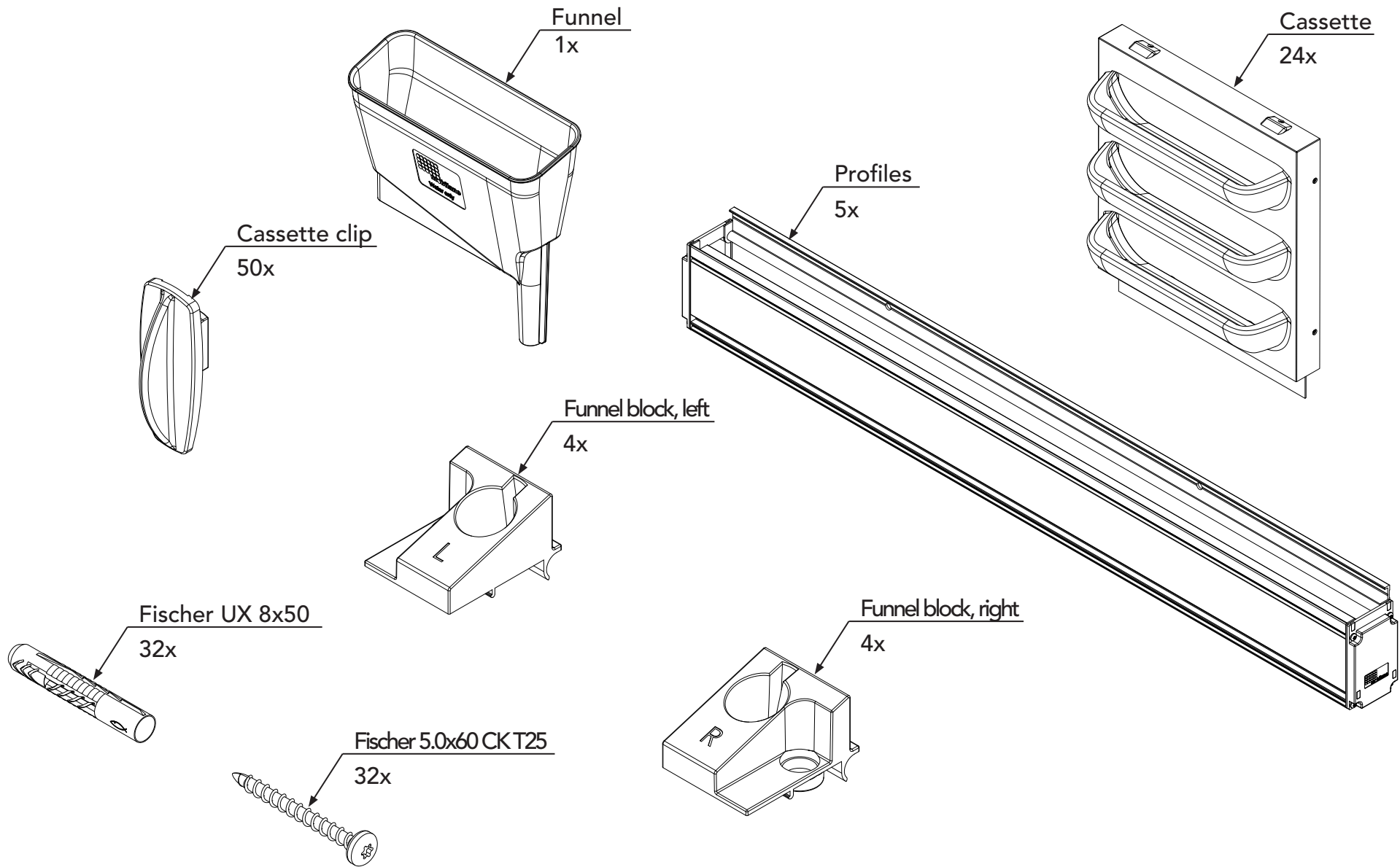
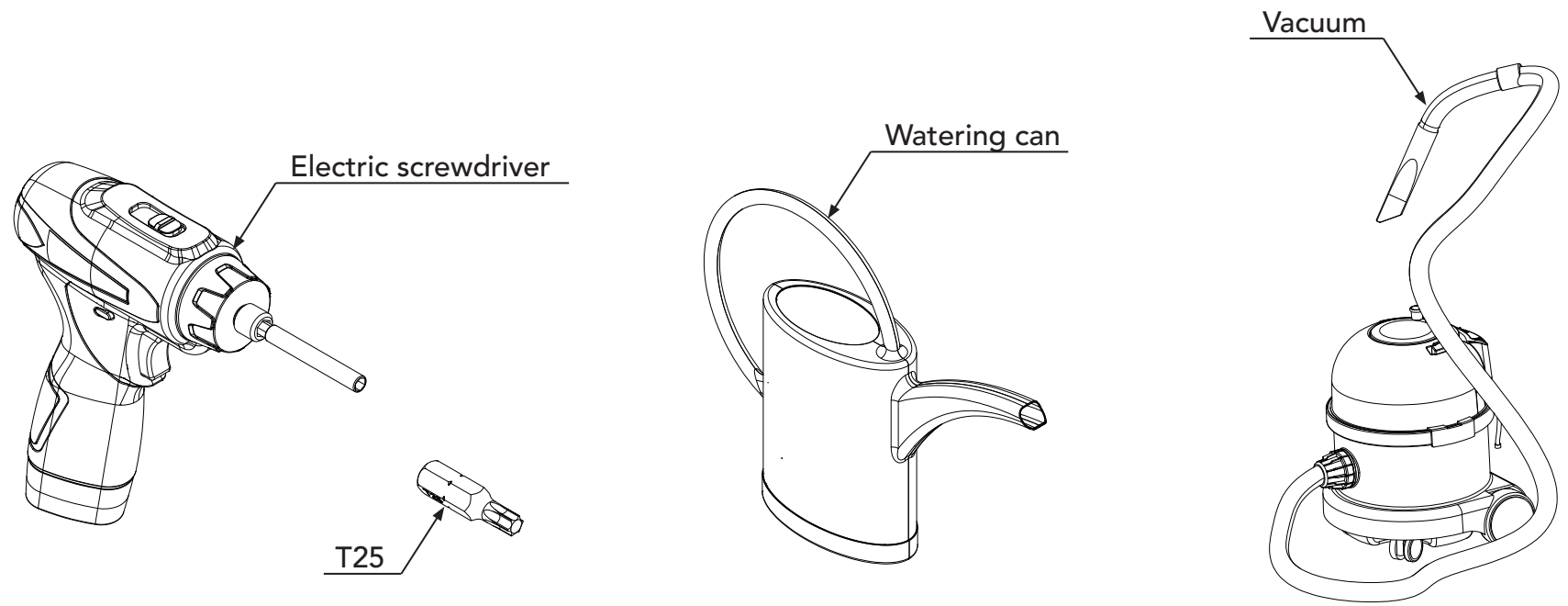
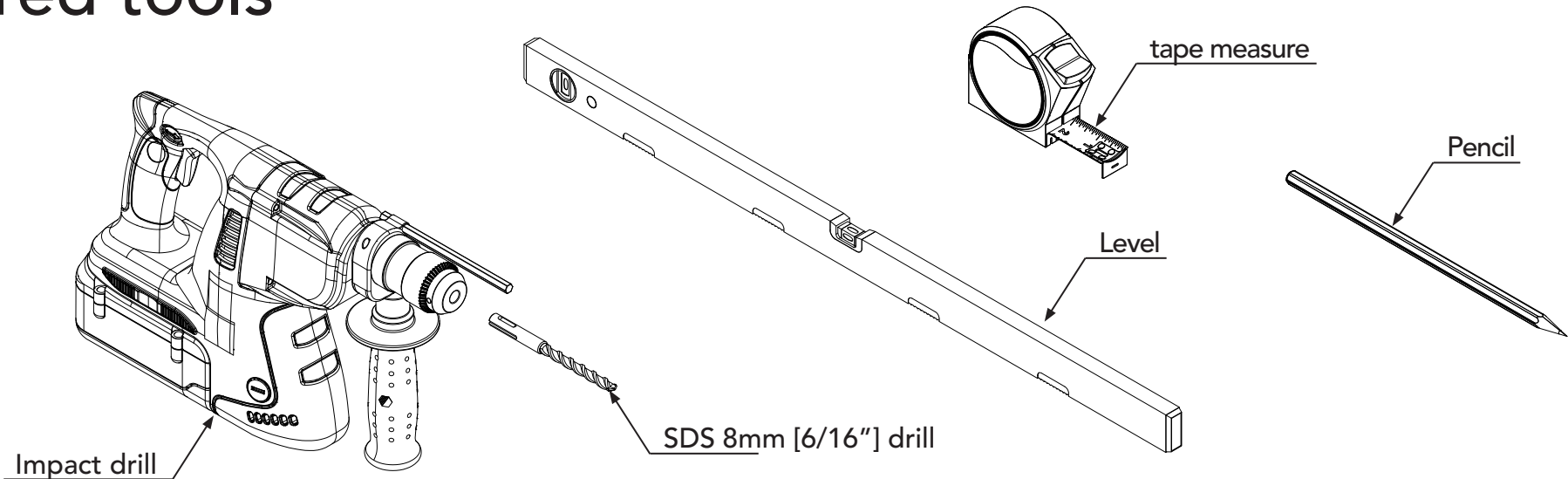


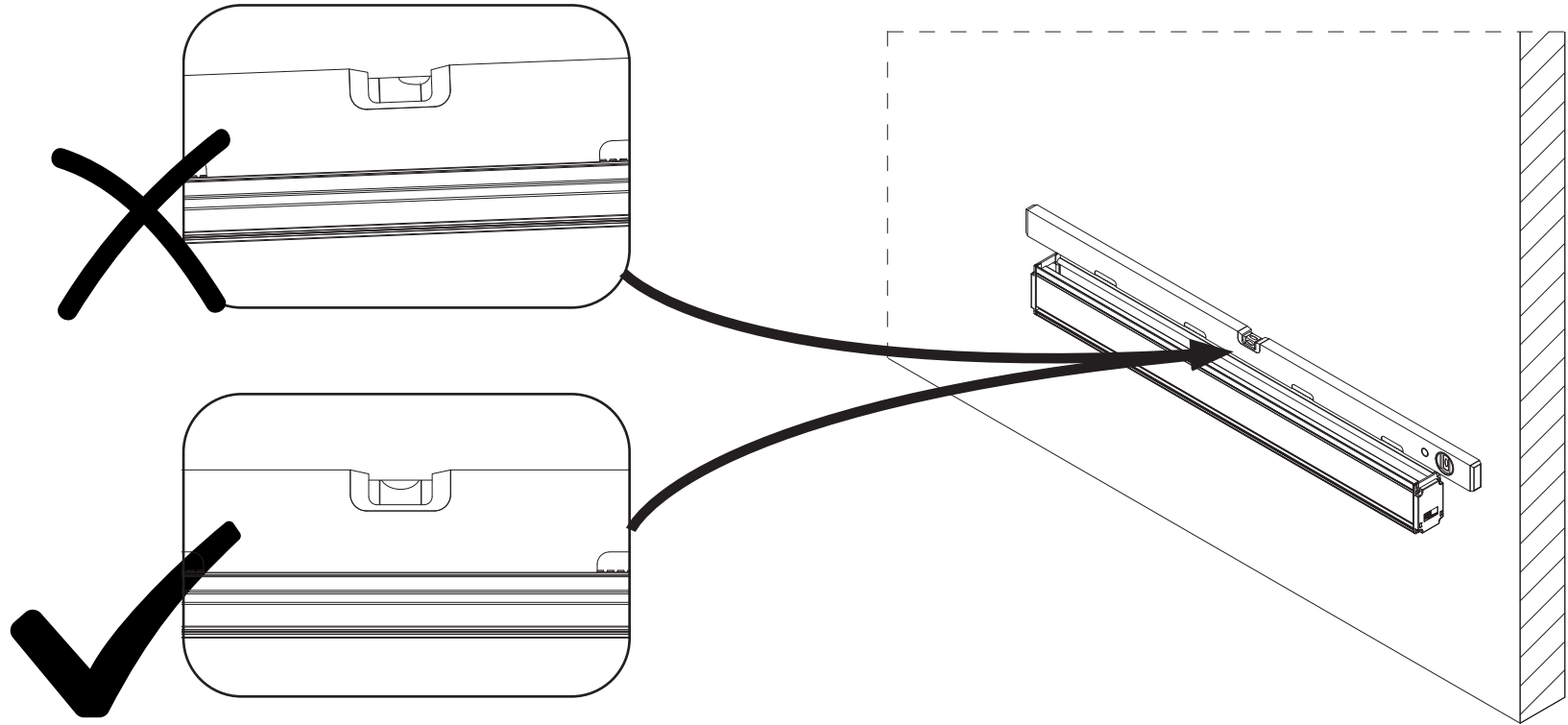
# Included



# Required tools



1A



5,0x60 CK T25 RVS A2

Fischer UX 8x50

SDS 8mm [5/16"]

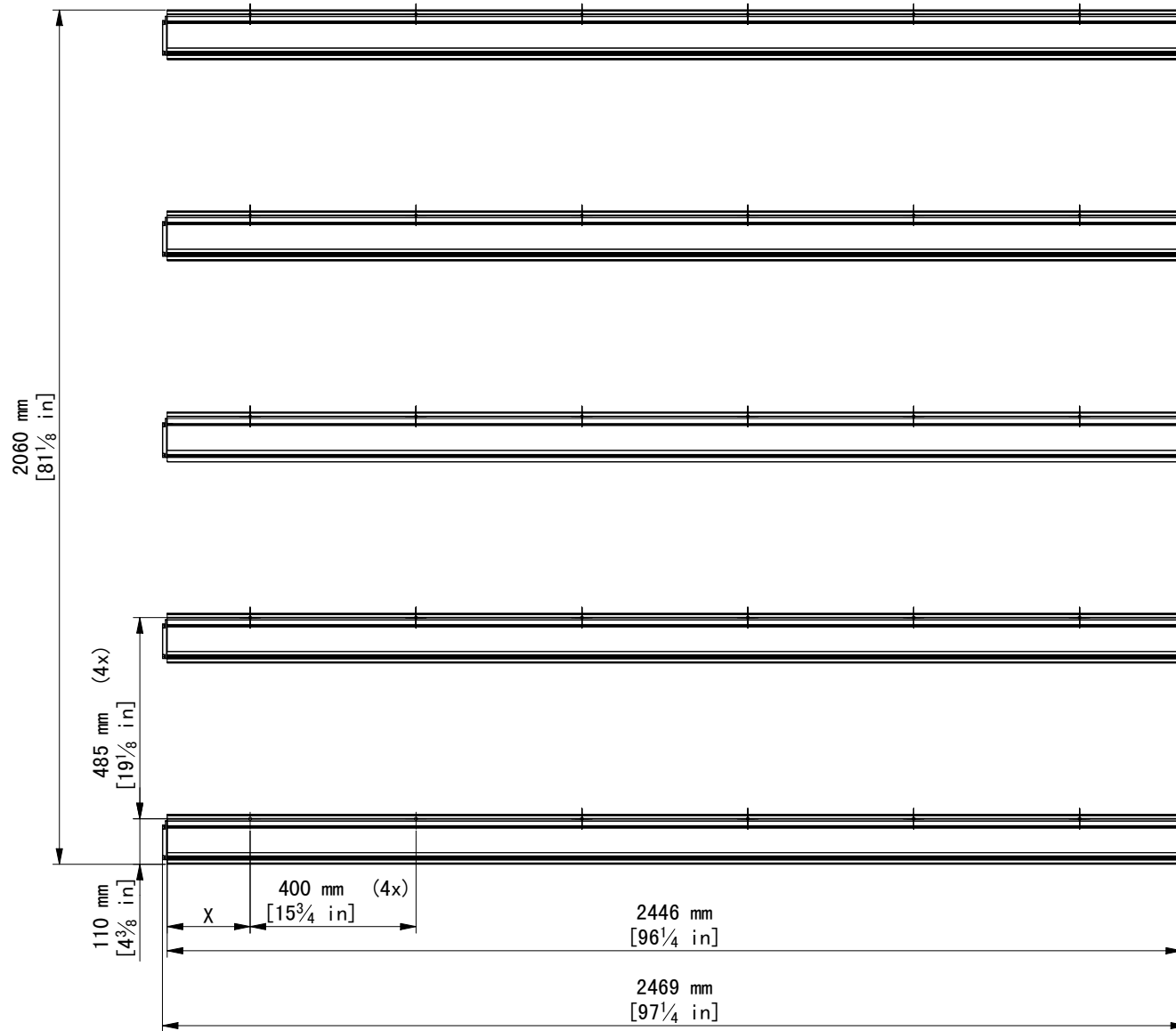
4Nm

2,5Nm (Dry Wall)  
>18mm

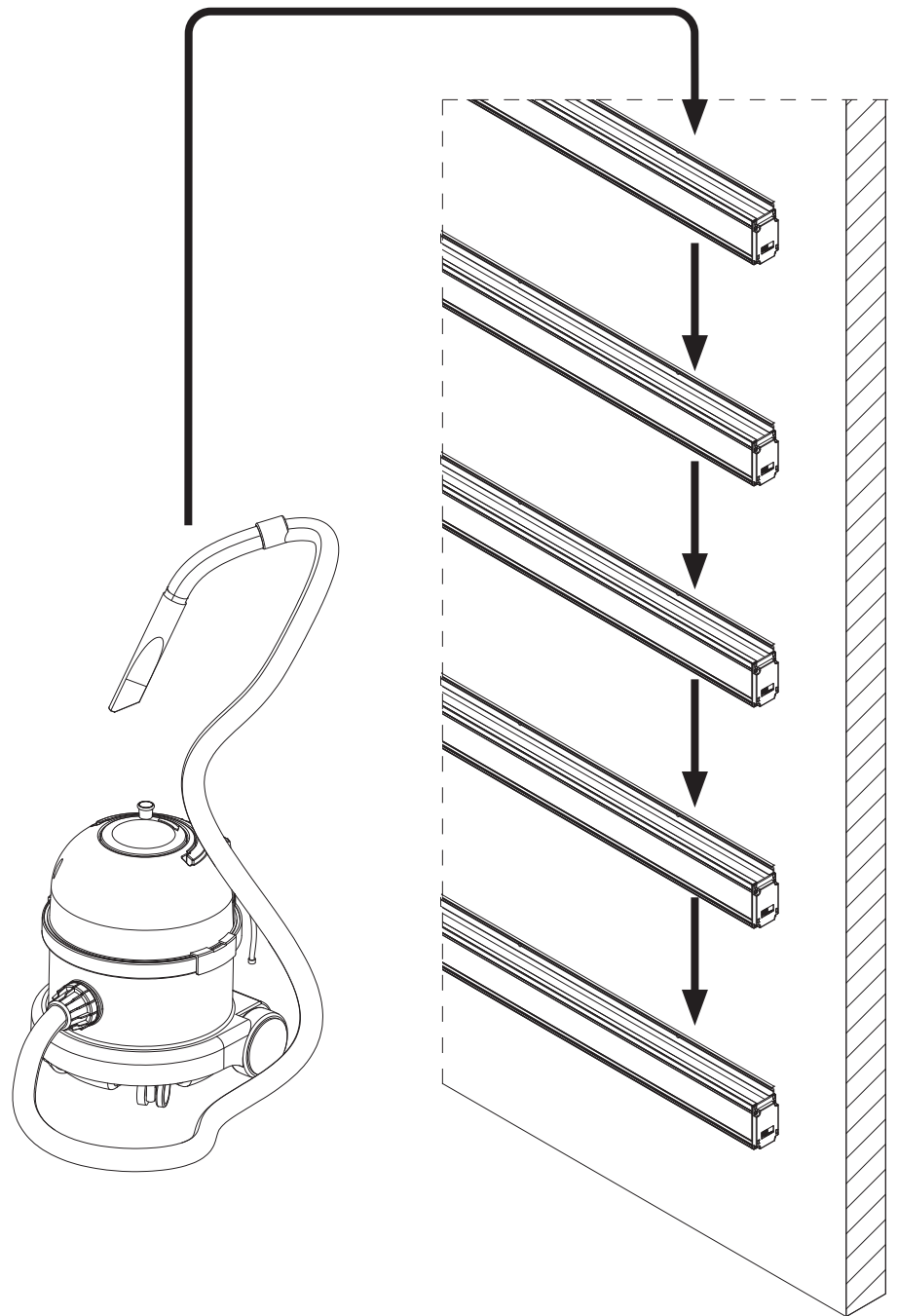
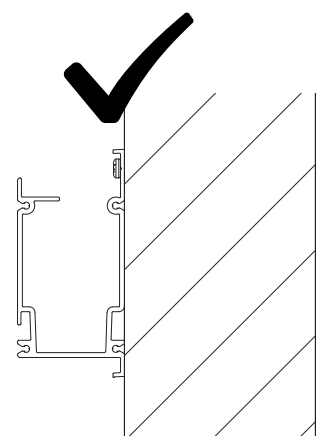
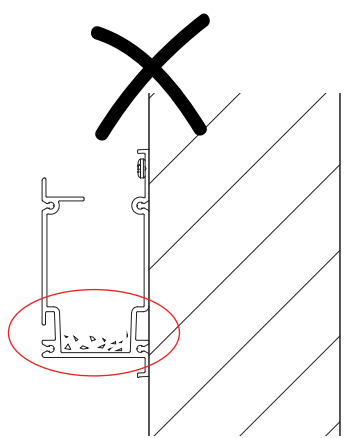
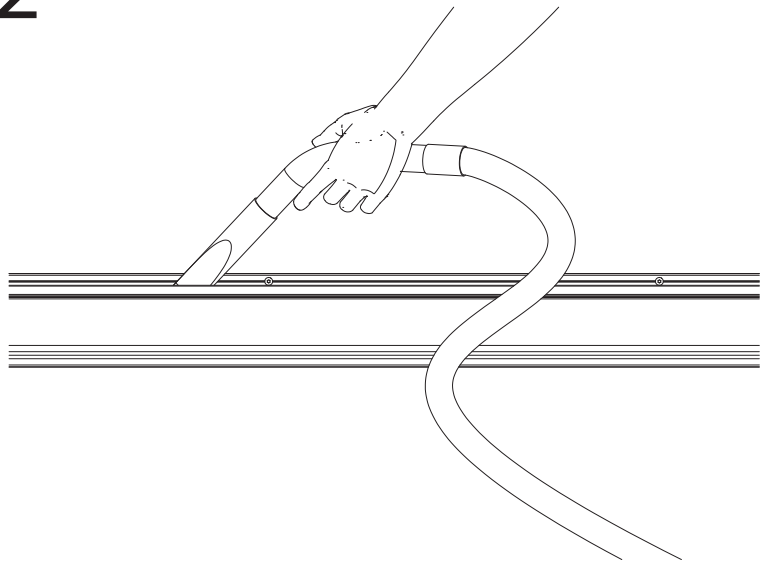
T25 Bit

60mm [2,36"]

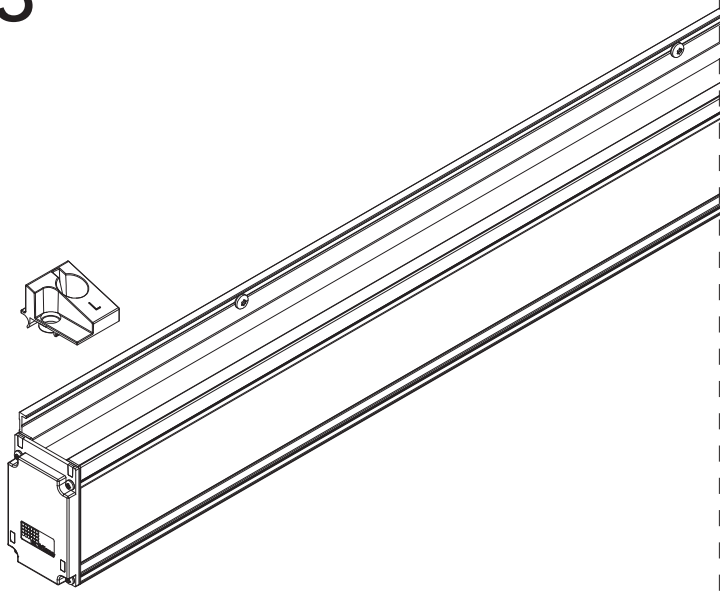
# 1B



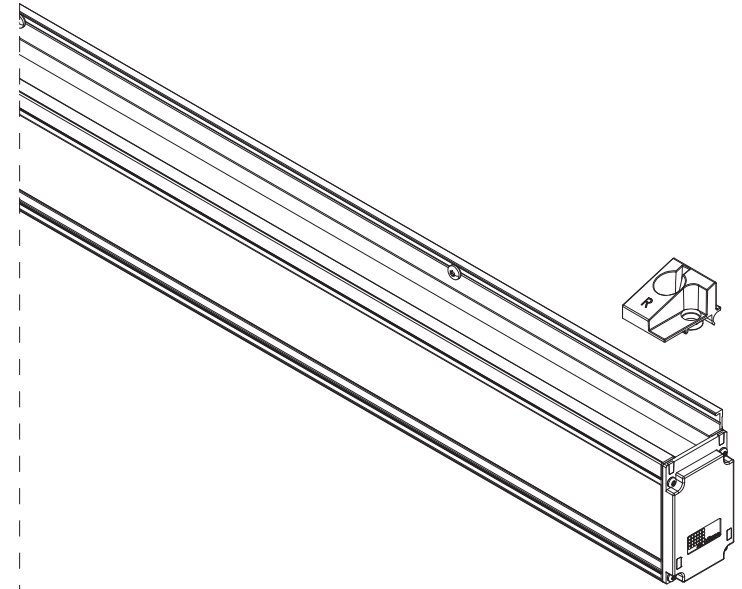
2



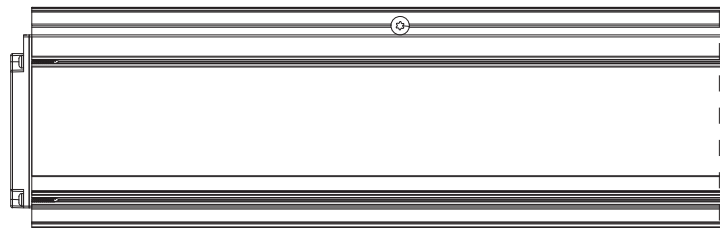
3



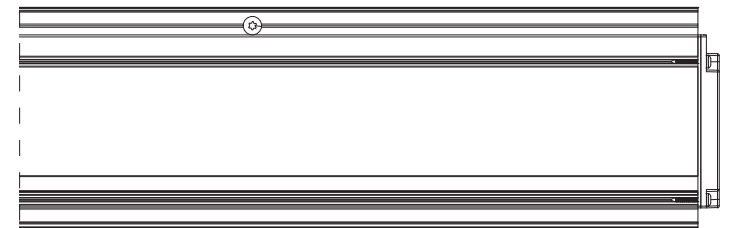
CHOOSE:  
LEFT OR  
RIGHT  
FUNNEL  
BLOCK

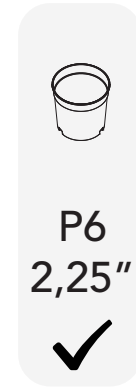
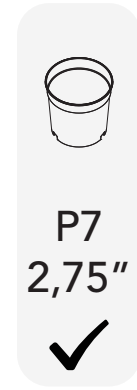


↓  
*click!*



*click!*  
↓





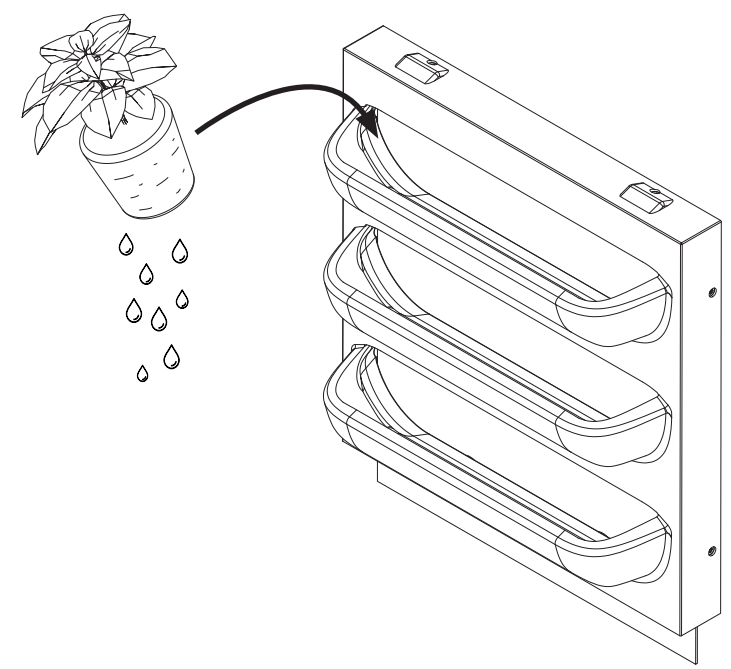
4A



4B

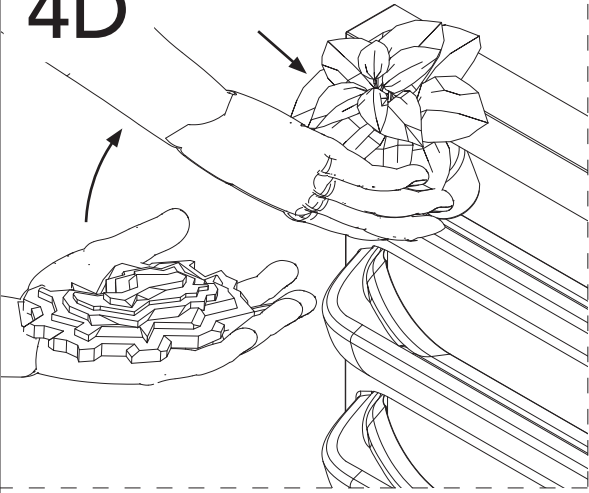


4C

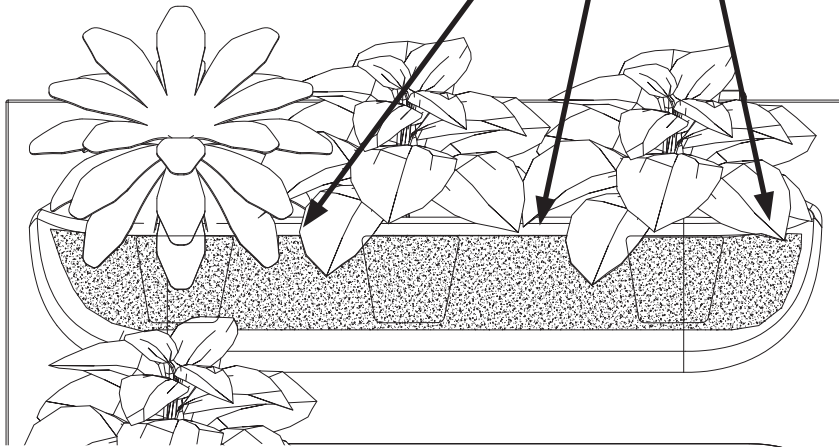
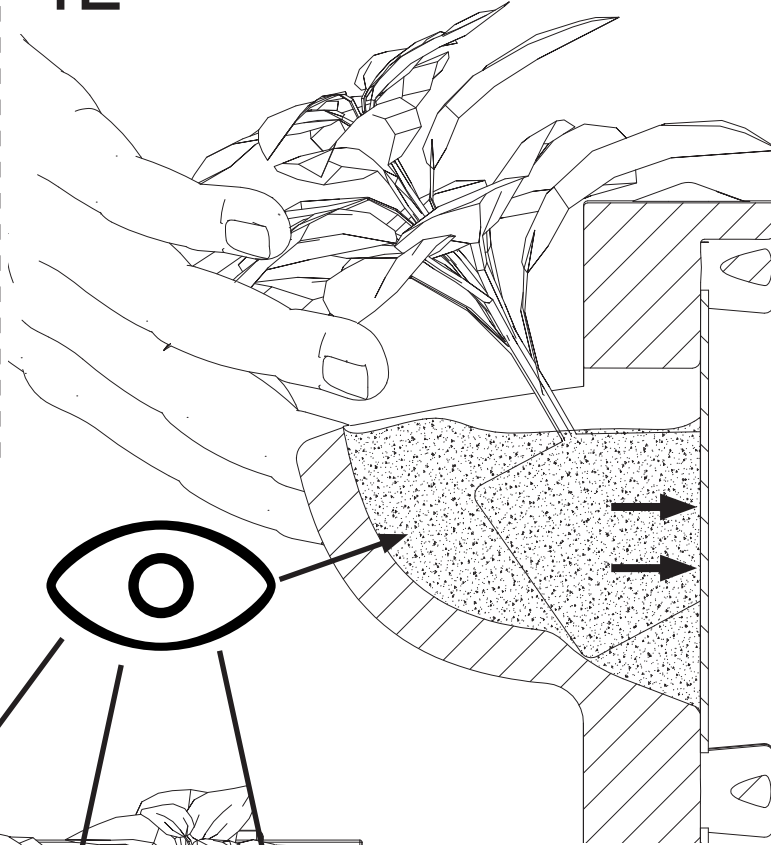




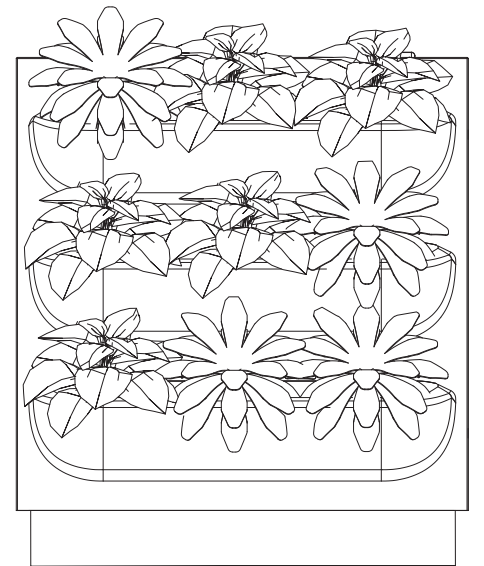
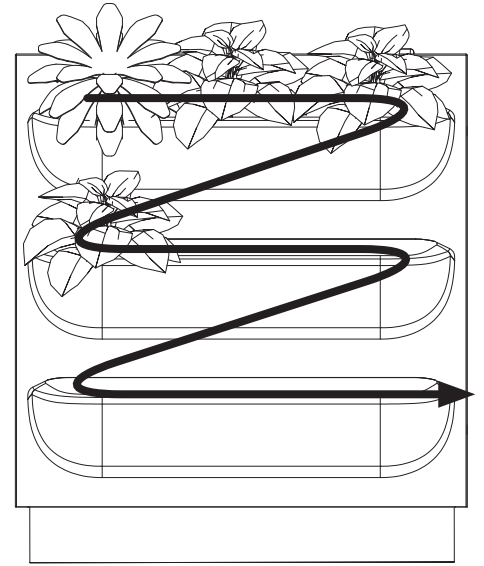
4D



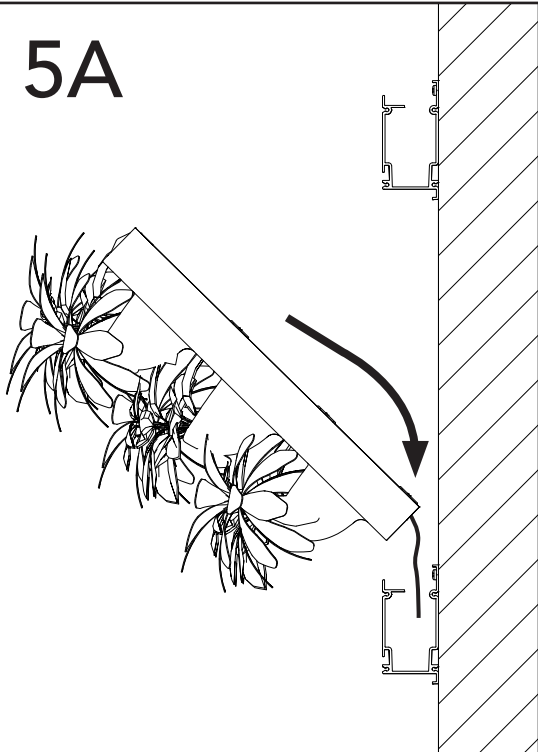
4E



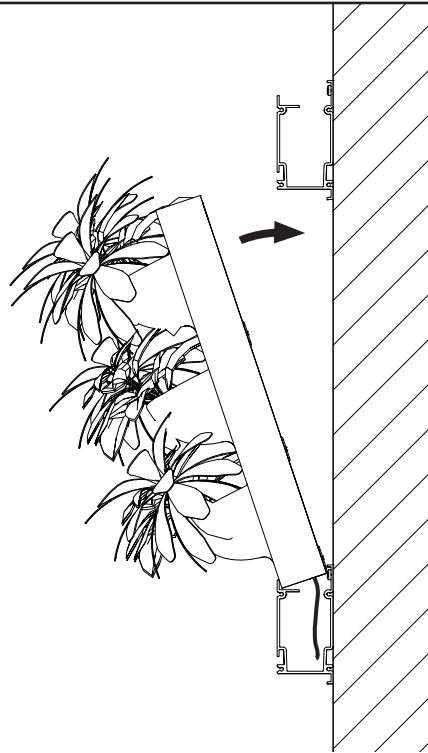
4F



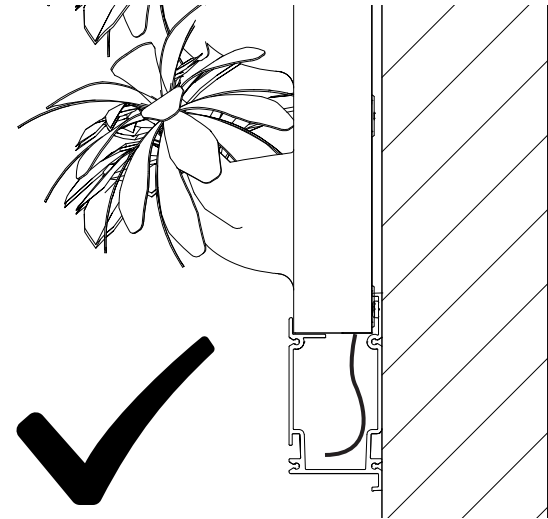
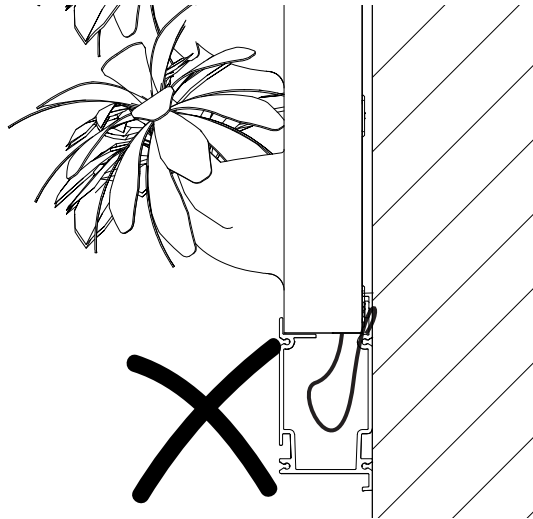
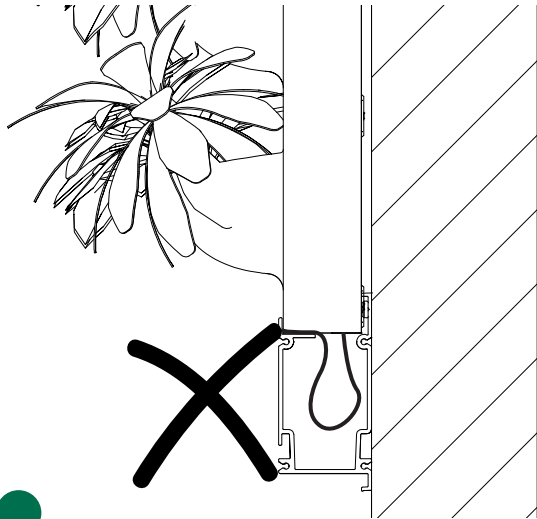
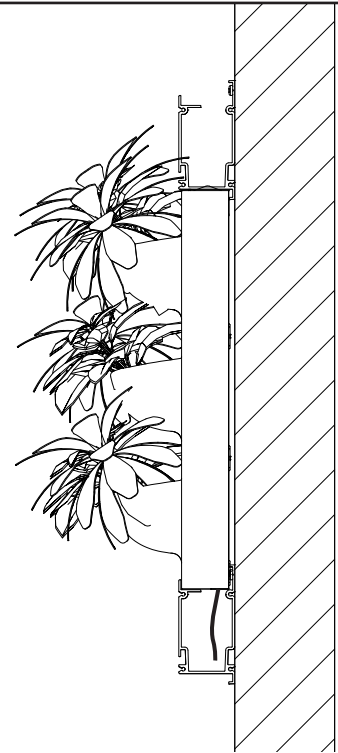
5A



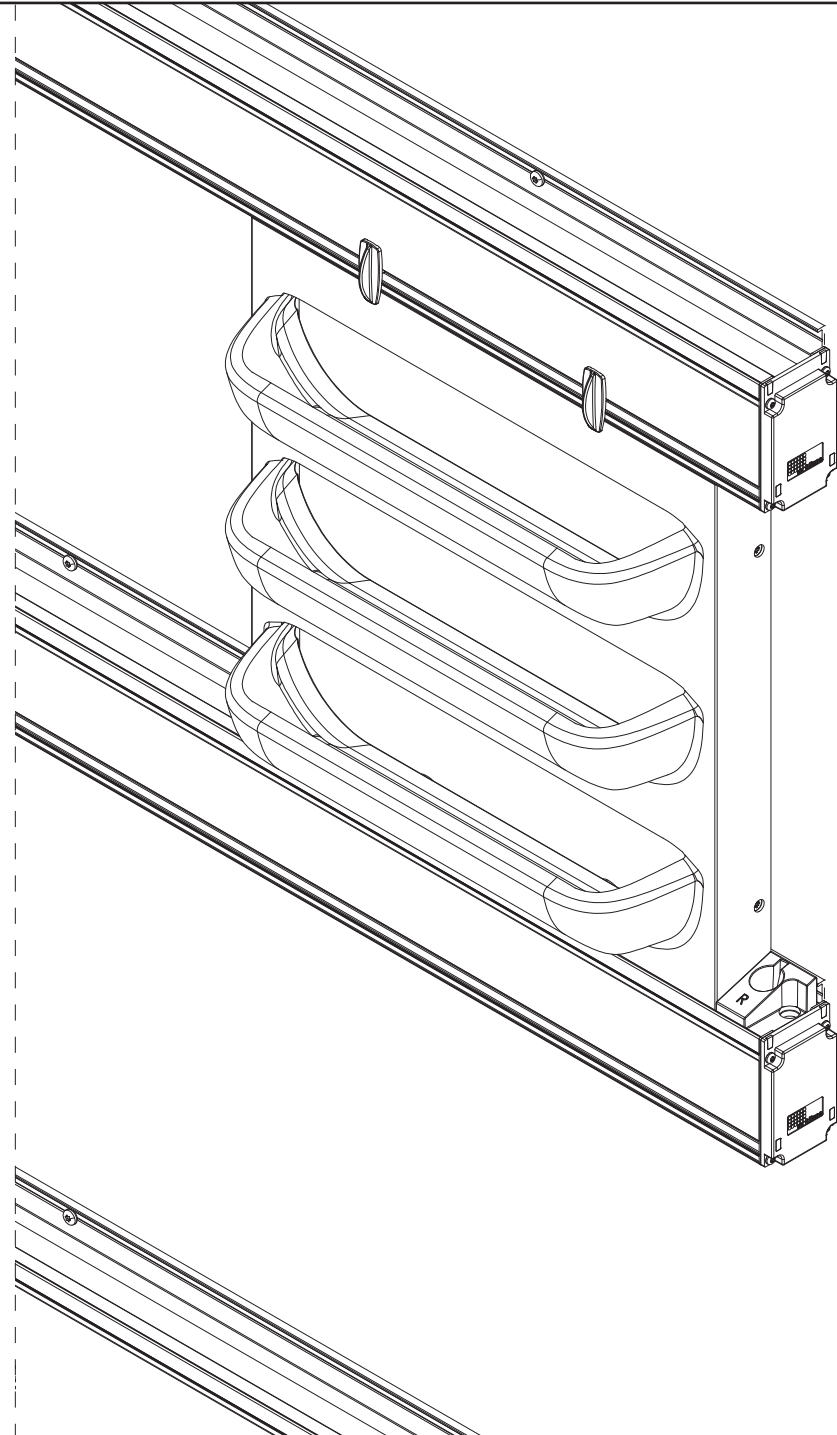
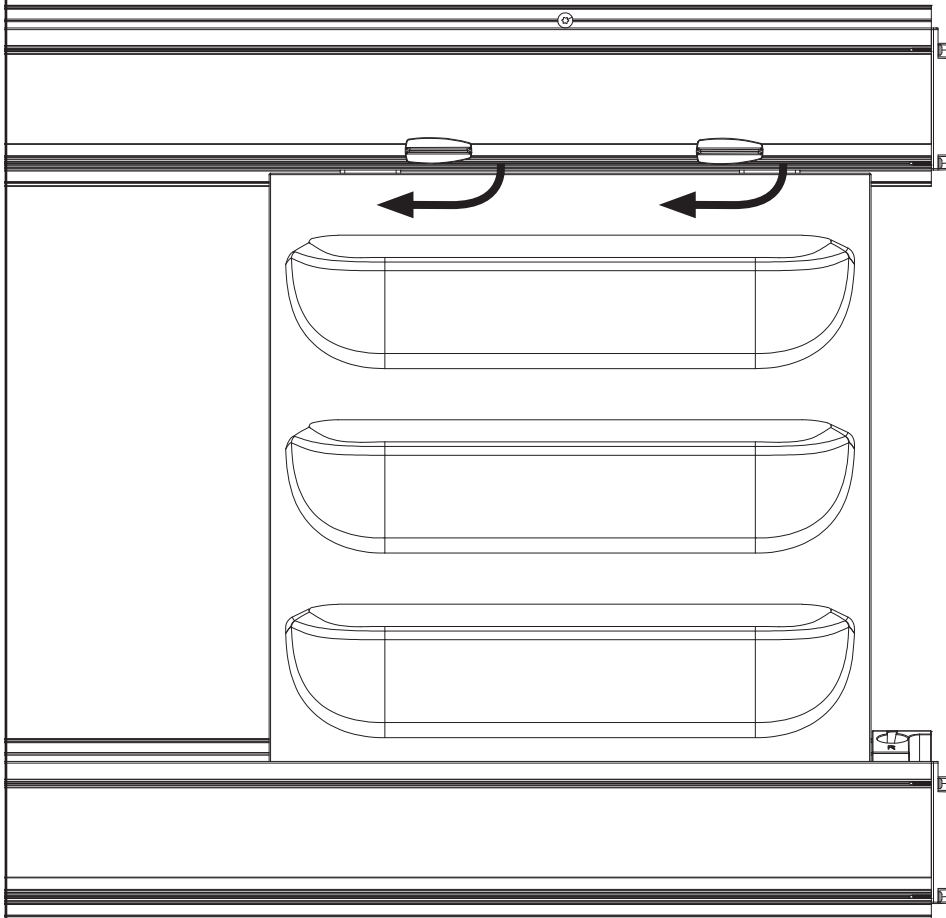
5B



5C



6



7

