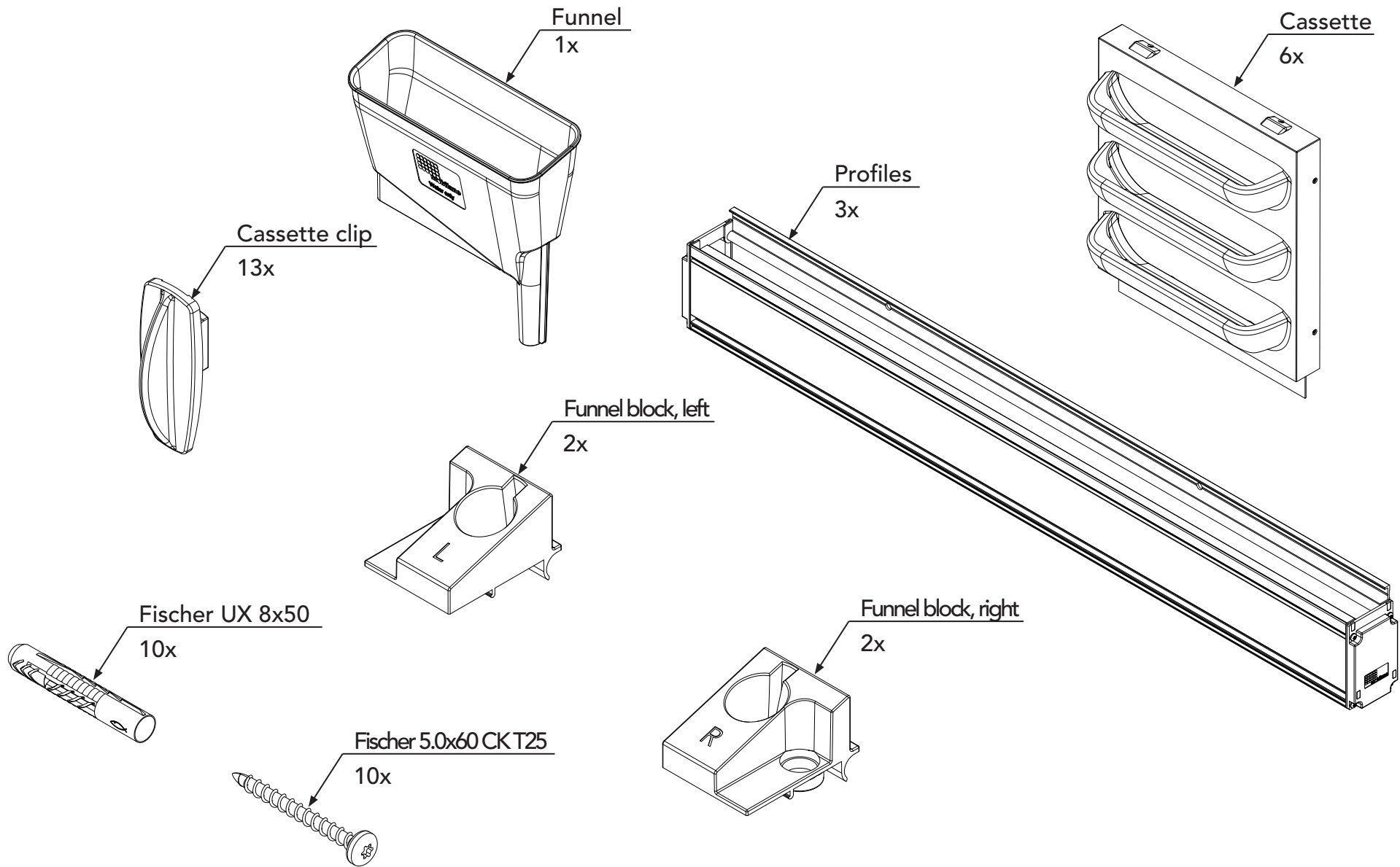
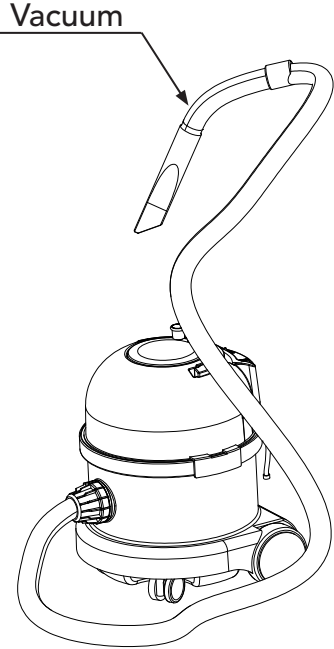
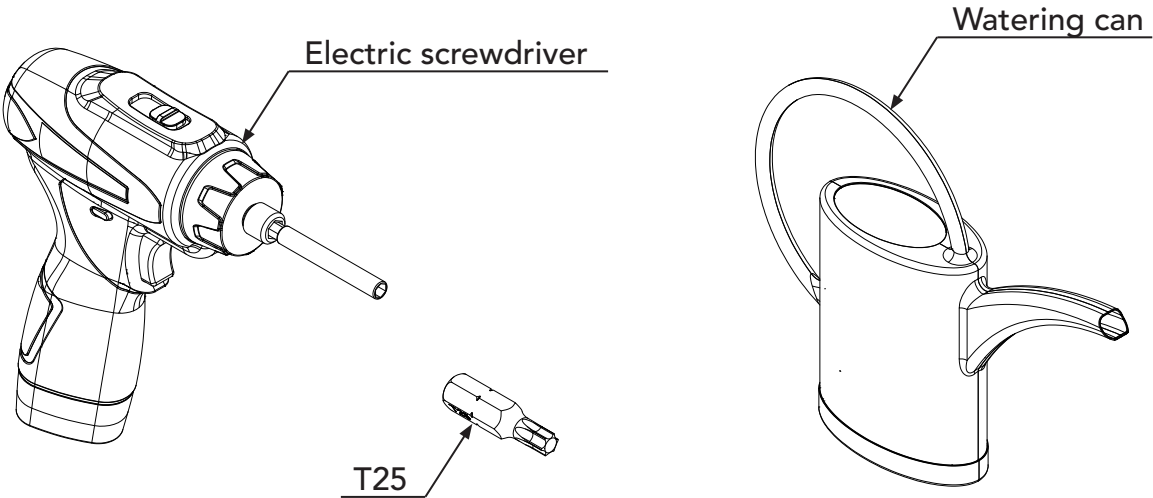
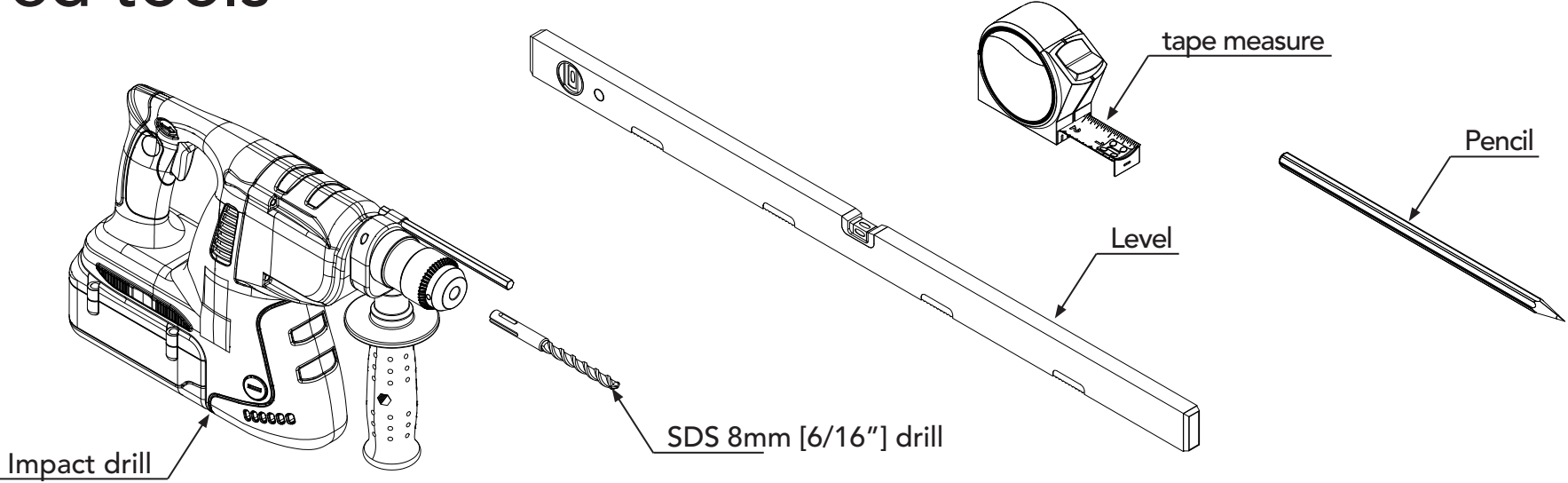


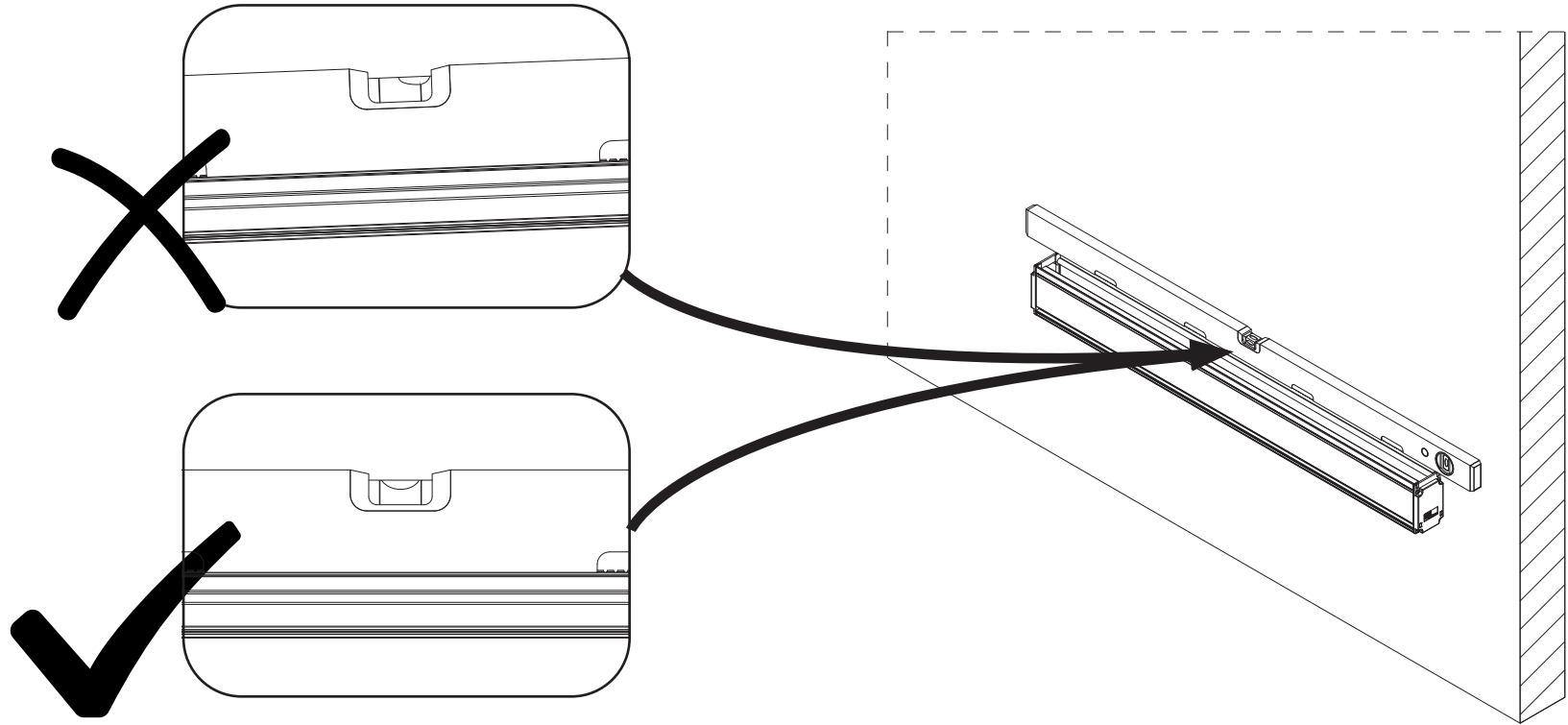
Included



Required tools



1A



5,0x60 CK T25 RVS A2

Fischer UX 8x50

SDS 8mm [5/16"]

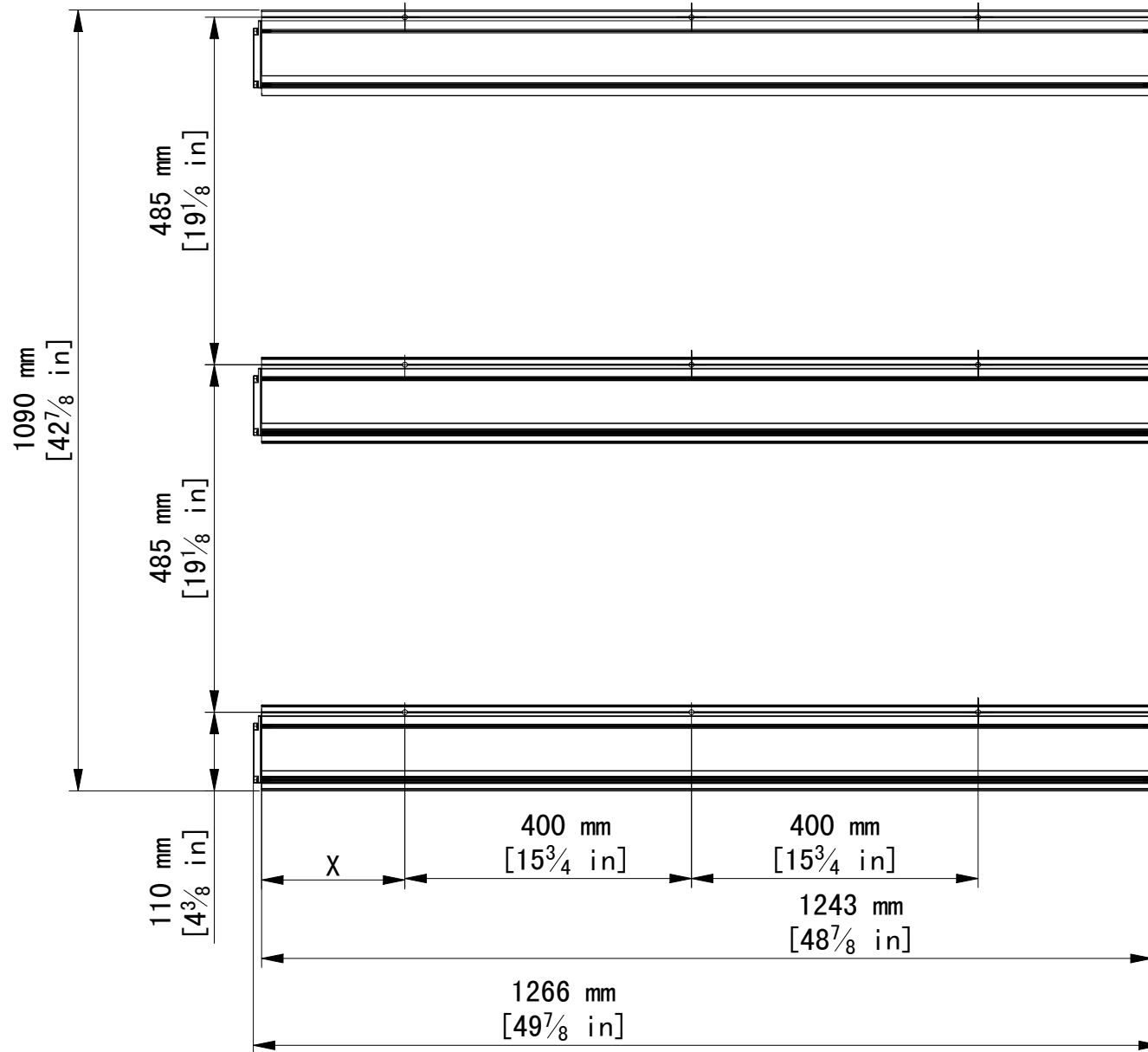
4Nm

2,5Nm (Dry Wall)
>18mm

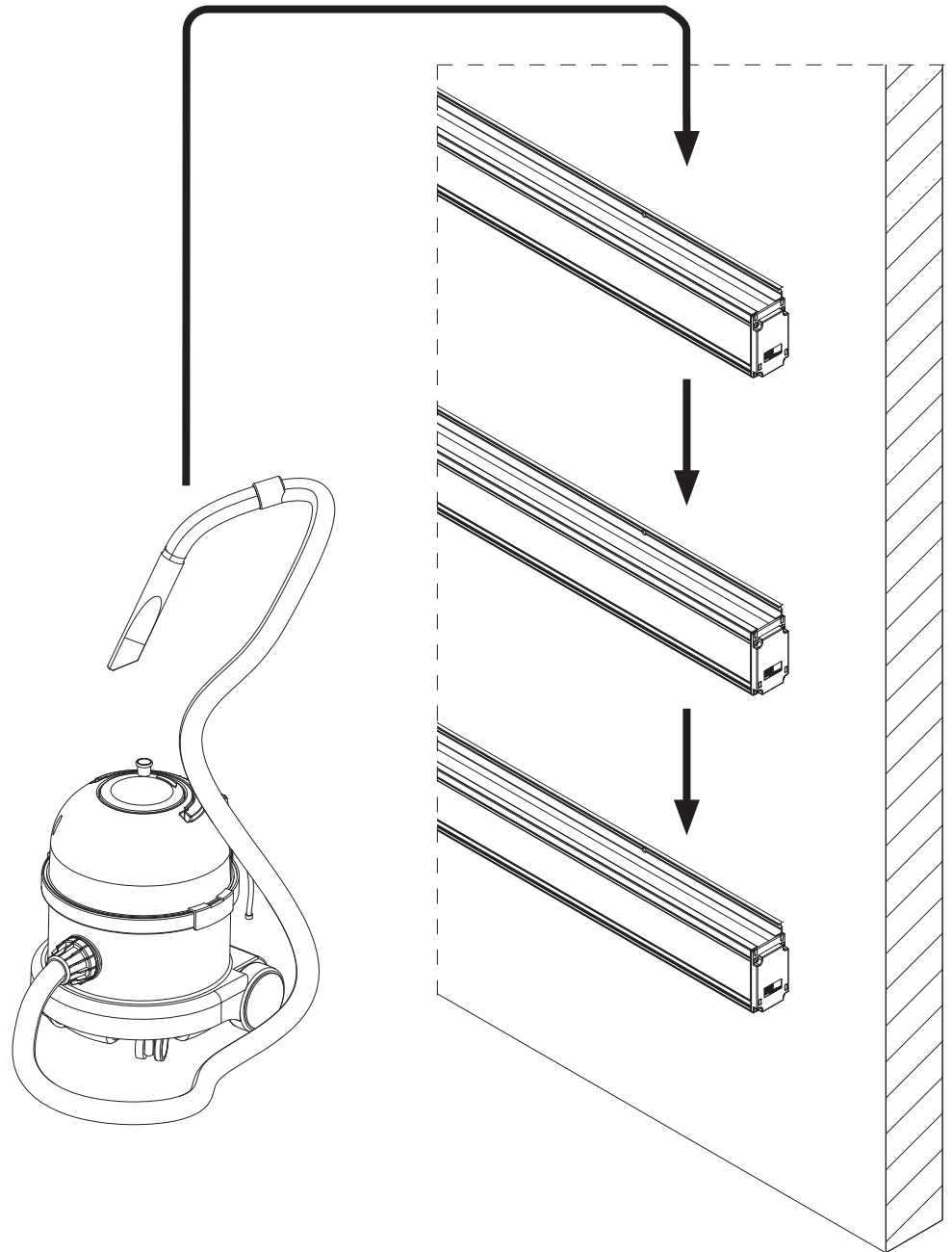
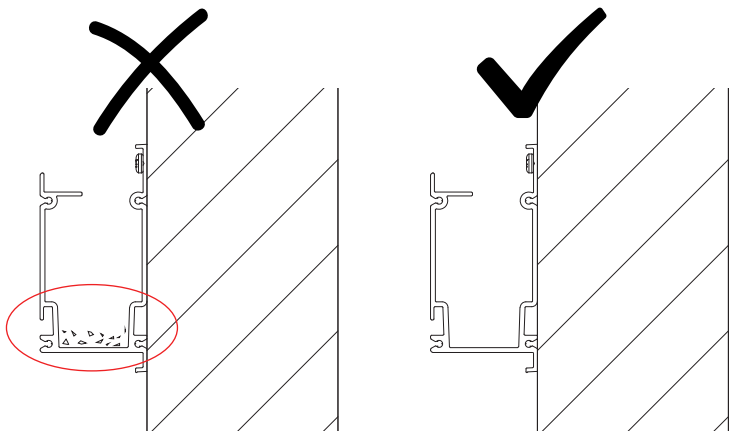
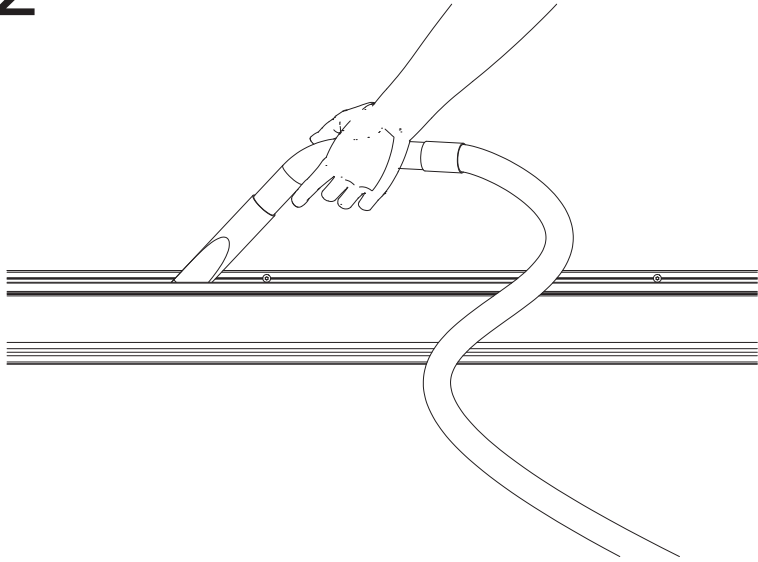
T25 Bit

60mm [2,36"]

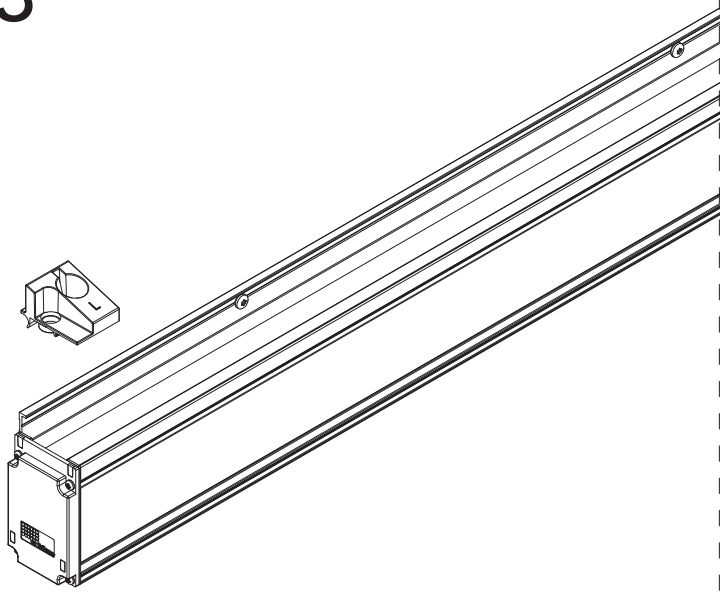
1B



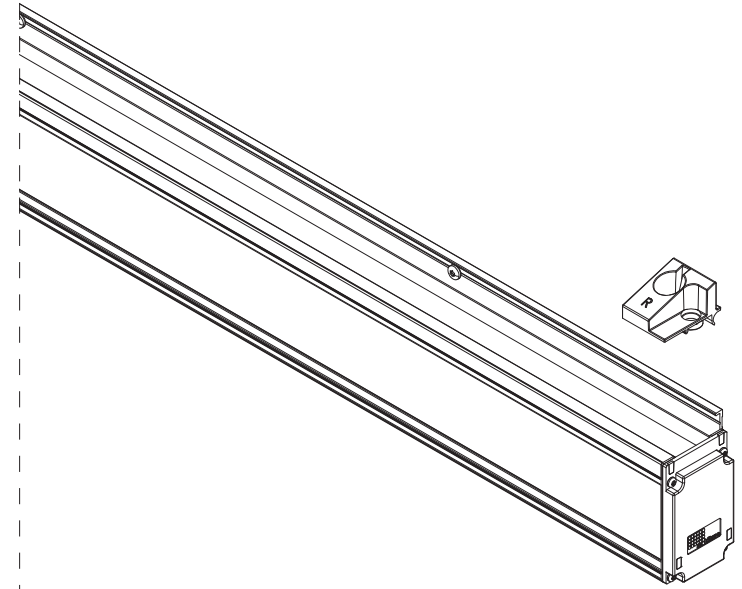
2



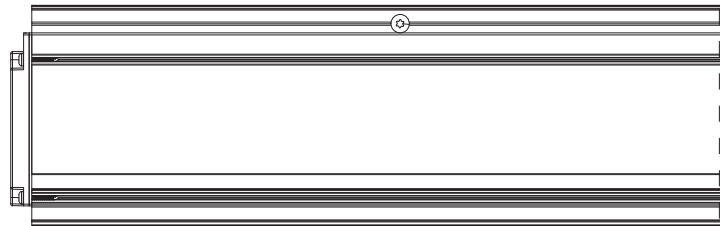
3



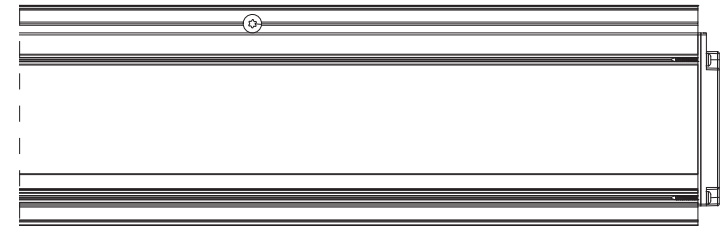
CHOOSE:
LEFT OR
RIGHT
FUNNEL
BLOCK

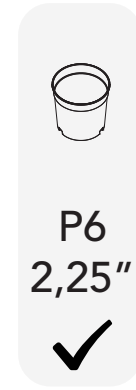
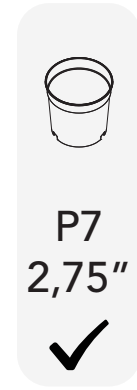


click!

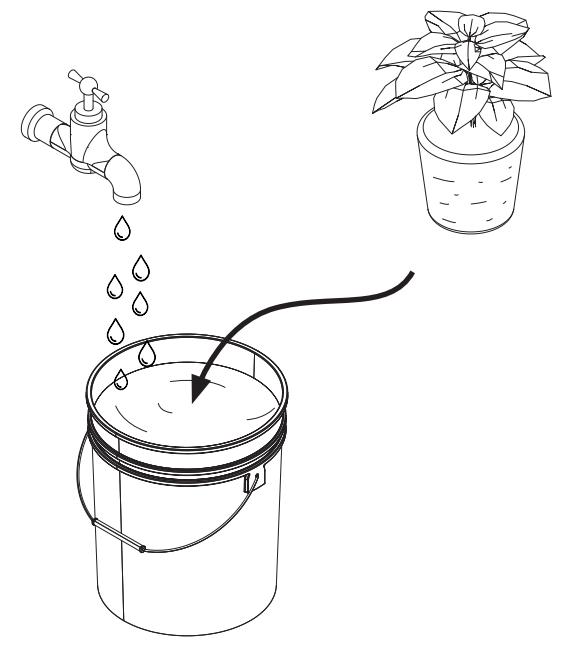


click!

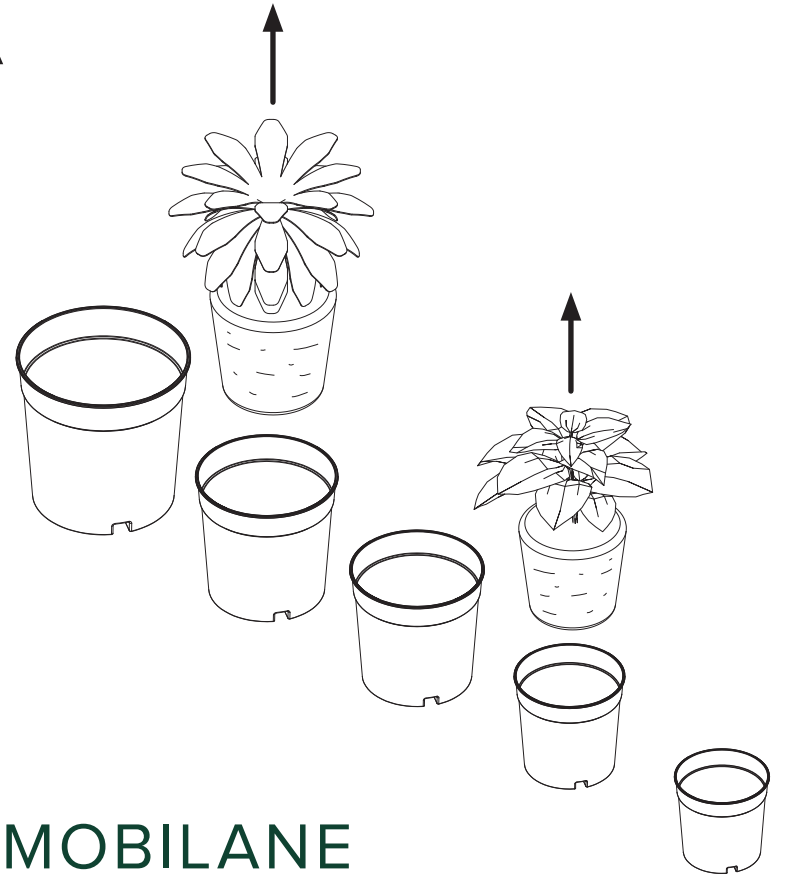




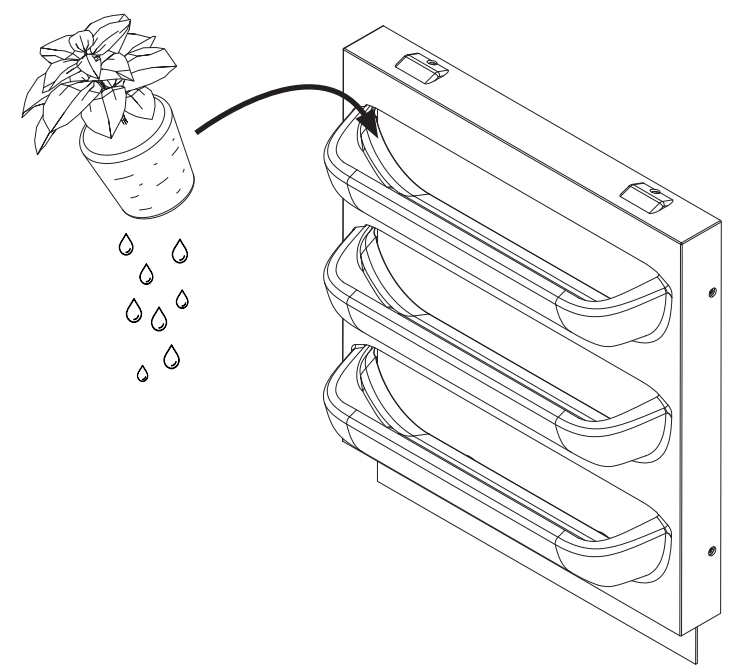
4B



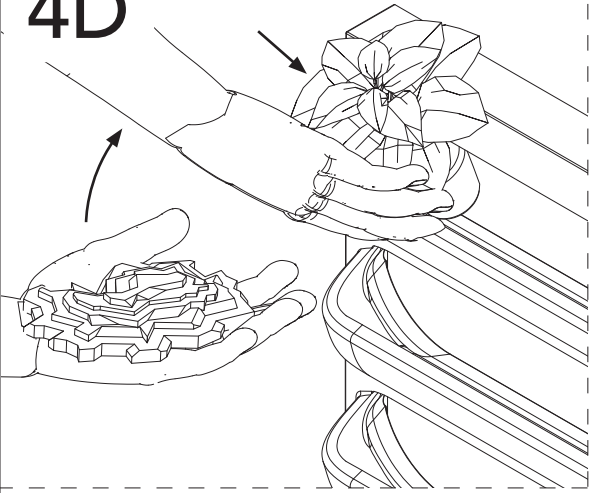
4A



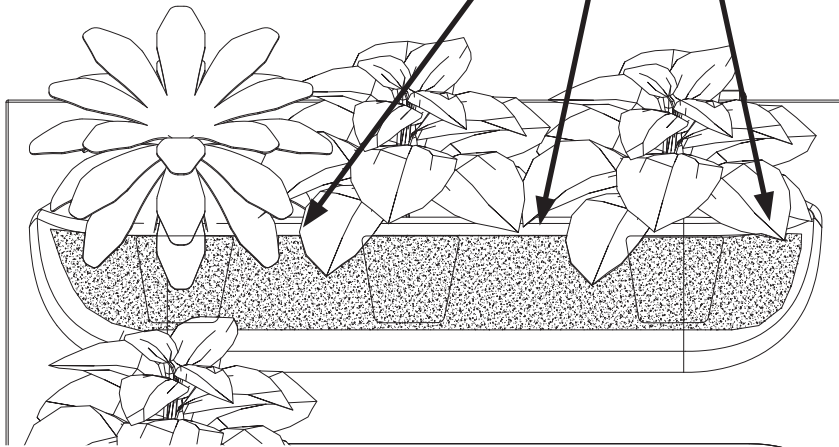
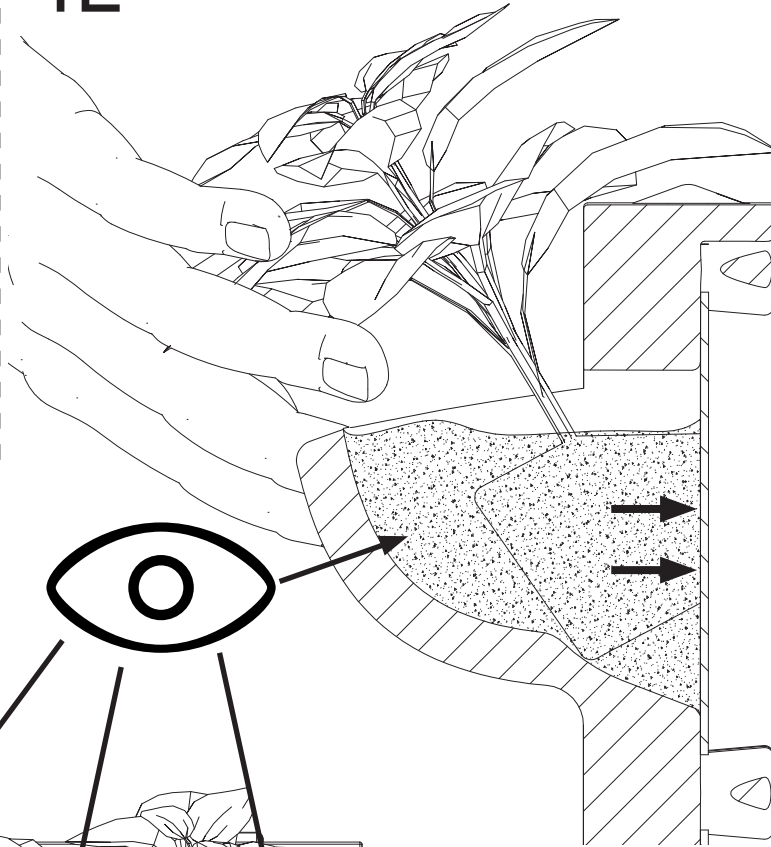
4C



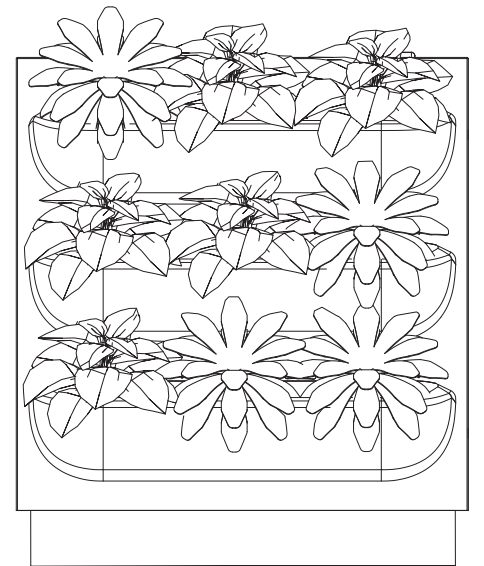
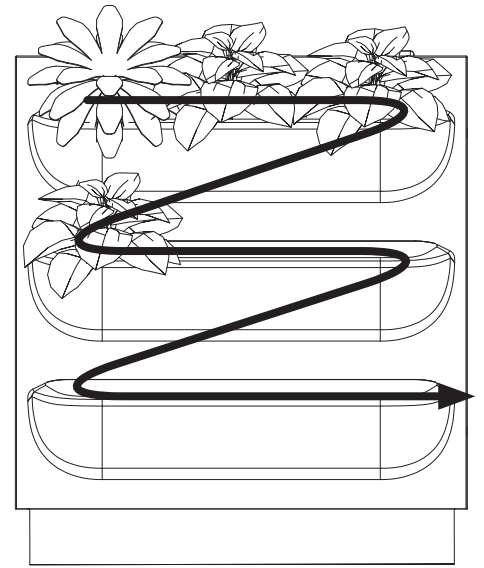
4D



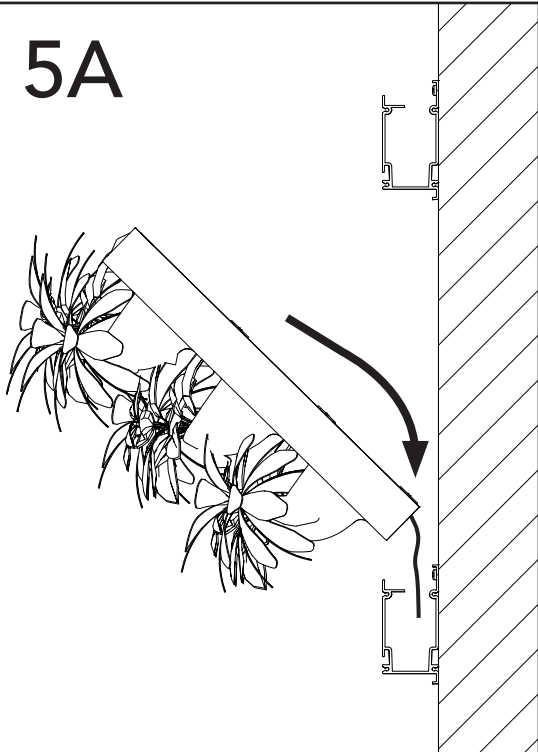
4E



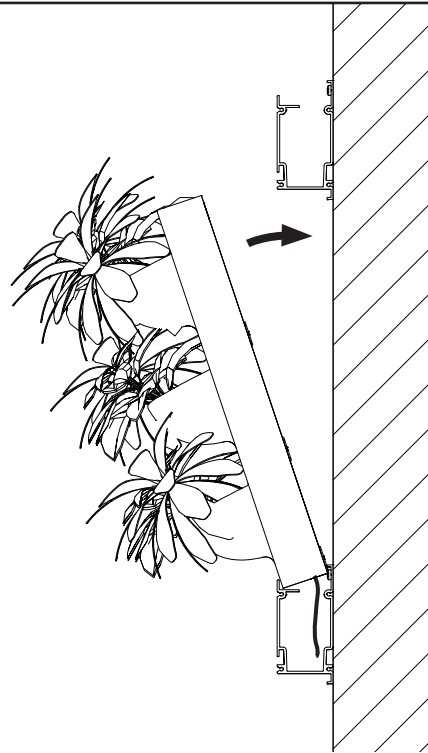
4F



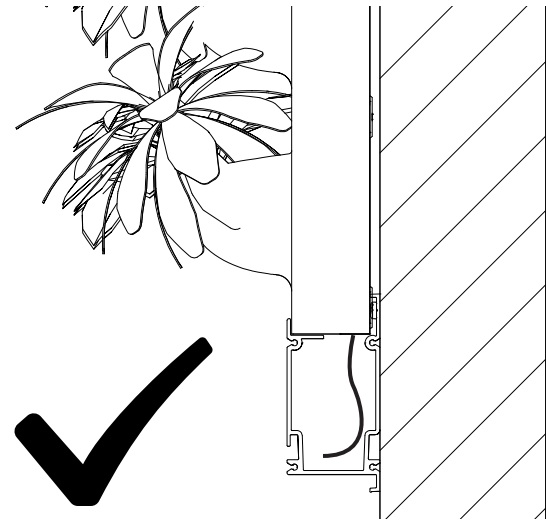
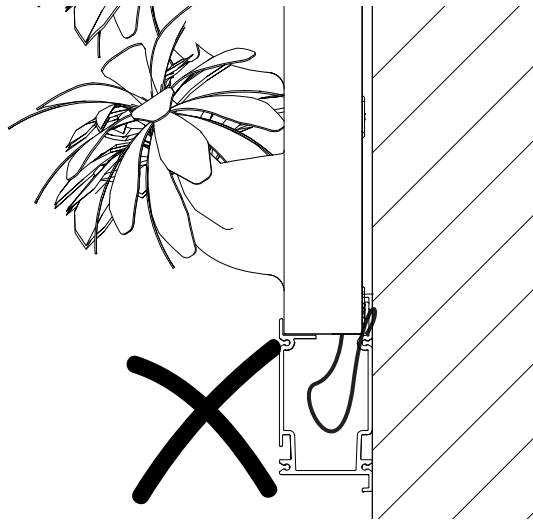
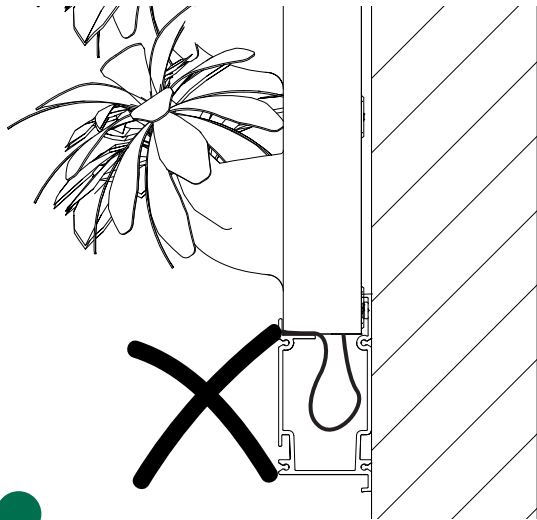
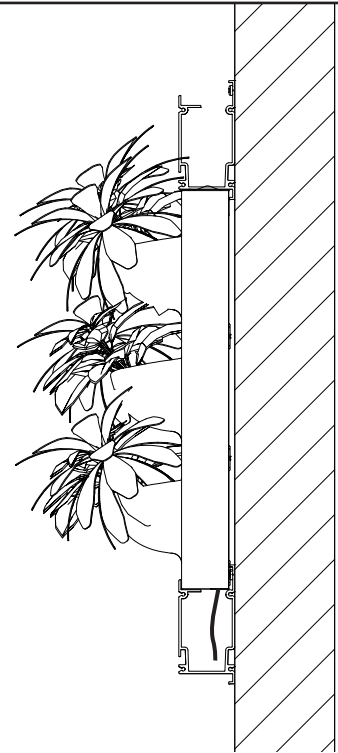
5A



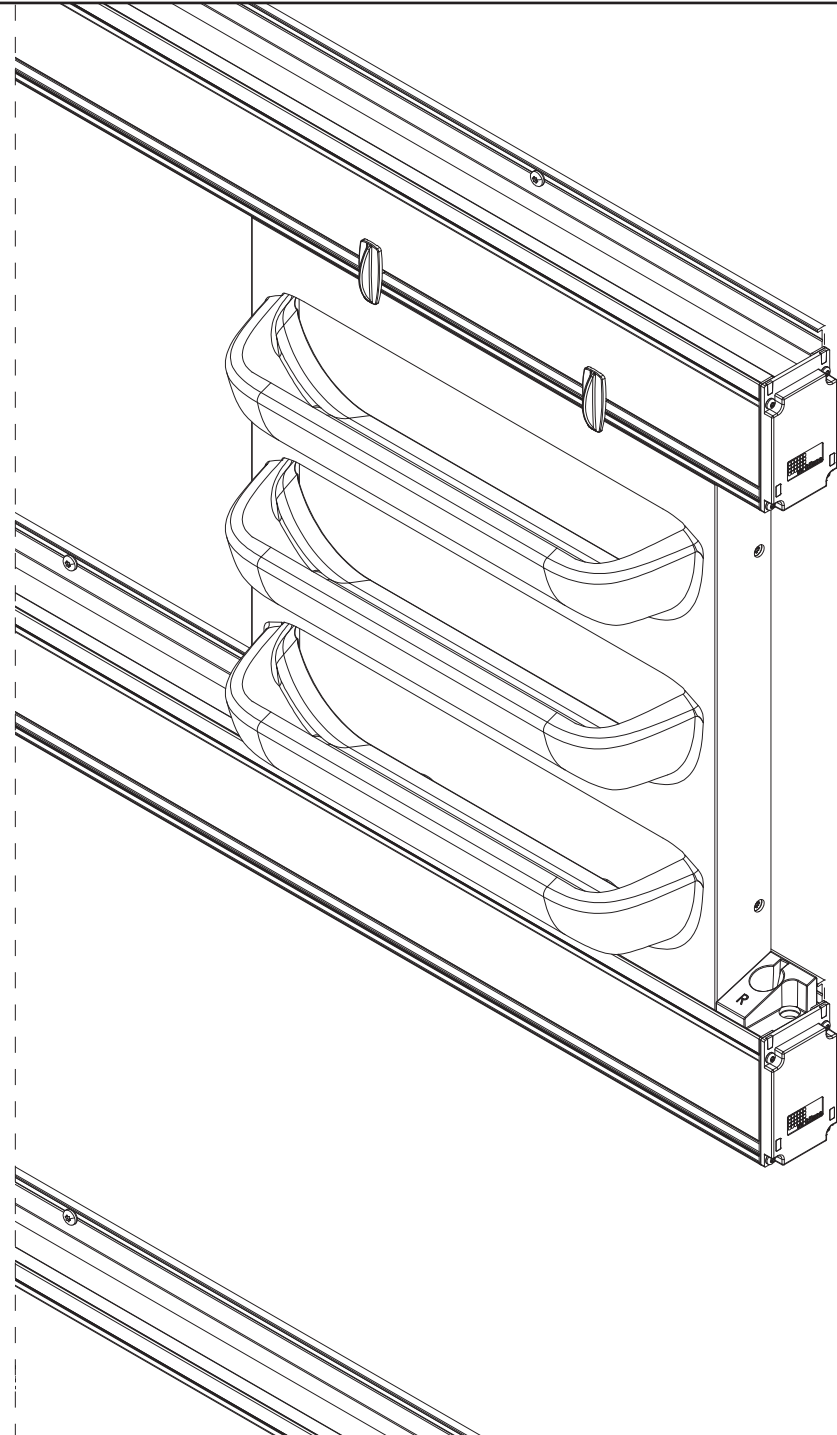
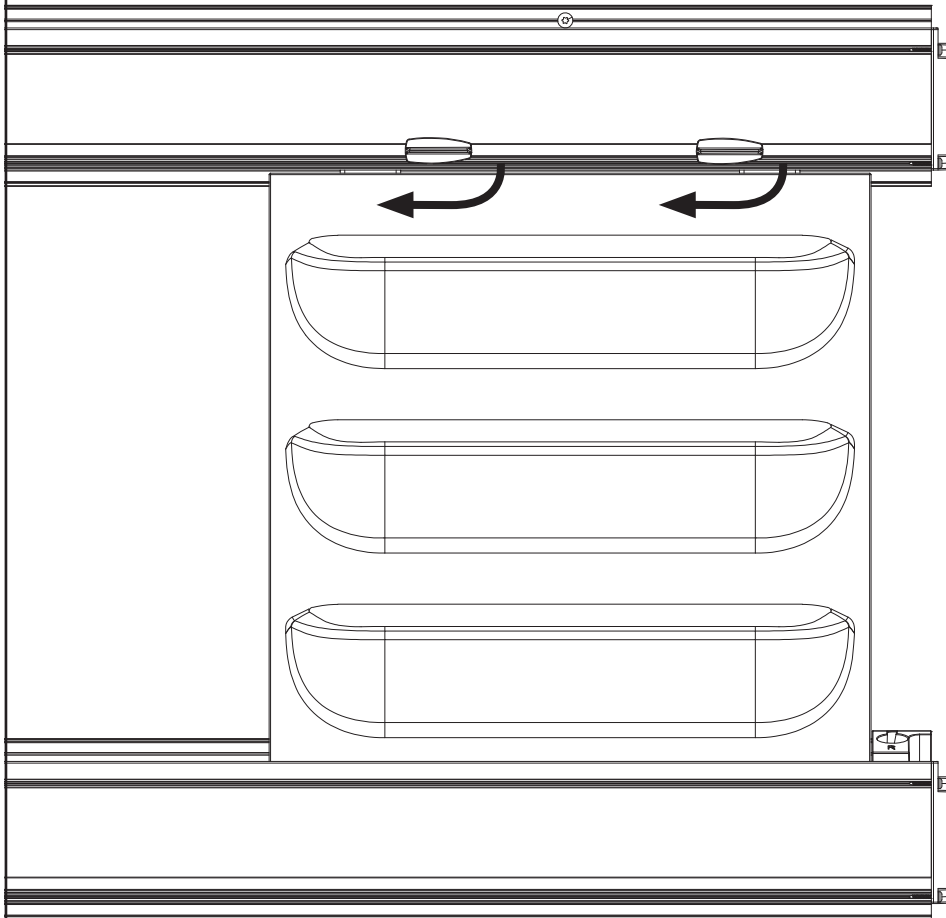
5B



5C



6



7

