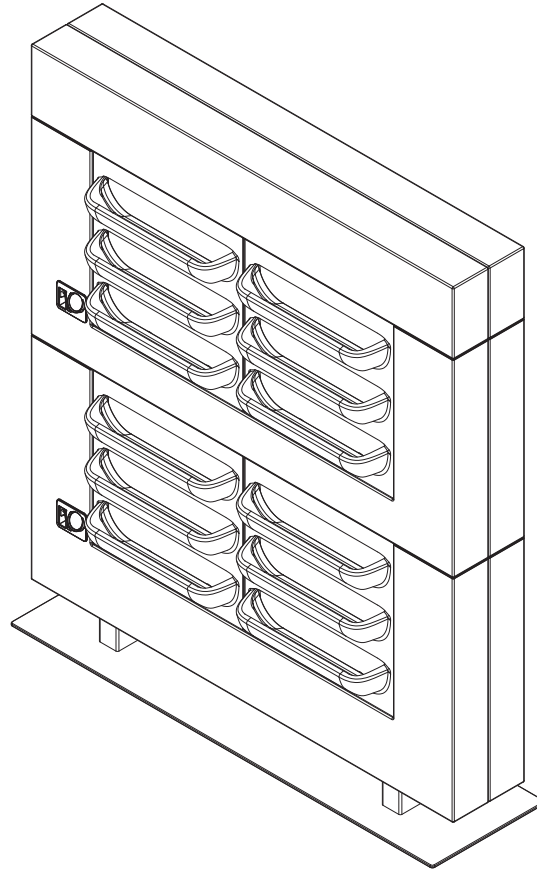
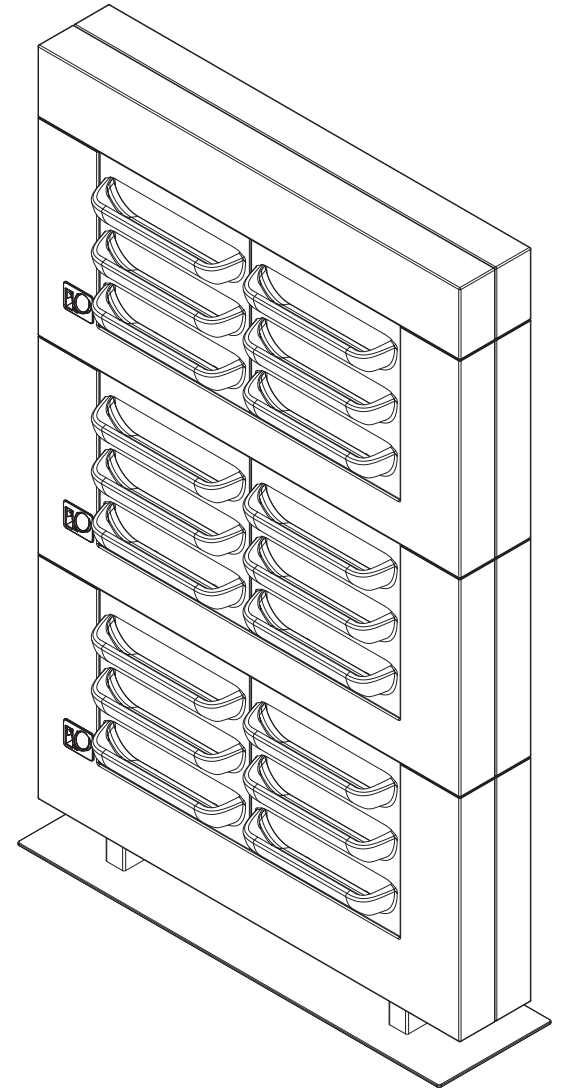


LIVEDIVIDER PLUS 1

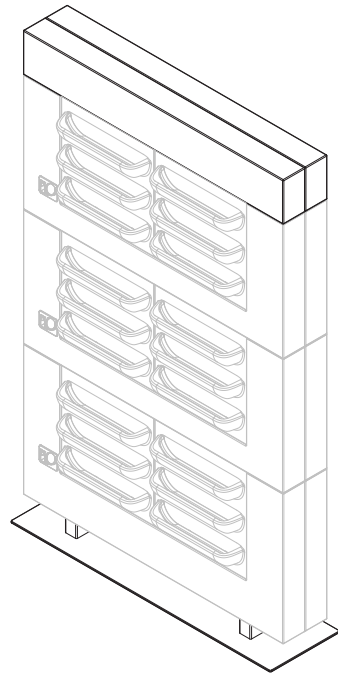
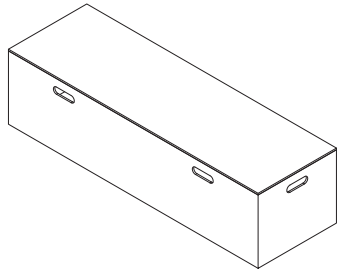


LIVEDIVIDER PLUS 2

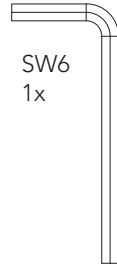
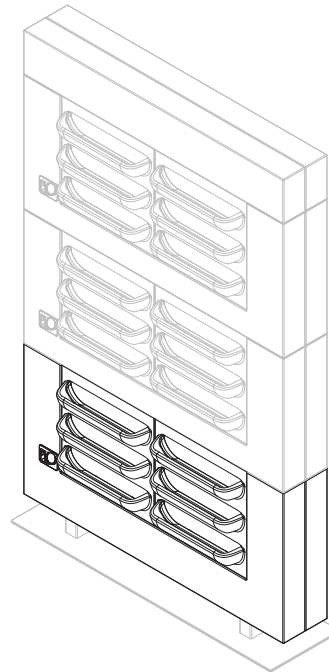
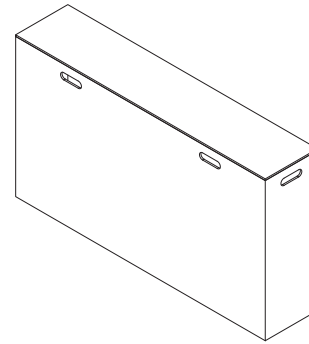


LIVEDIVIDER PLUS 3

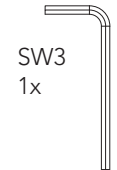
BASEPLATE + COVER
1X



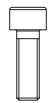
BASE MODULE
1X



SW6
1x



SW3
1x



M8x30
4x

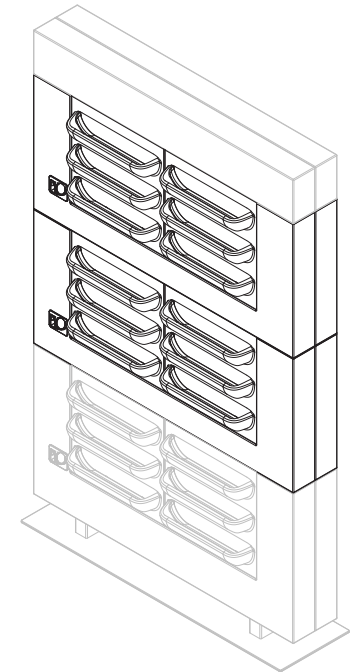
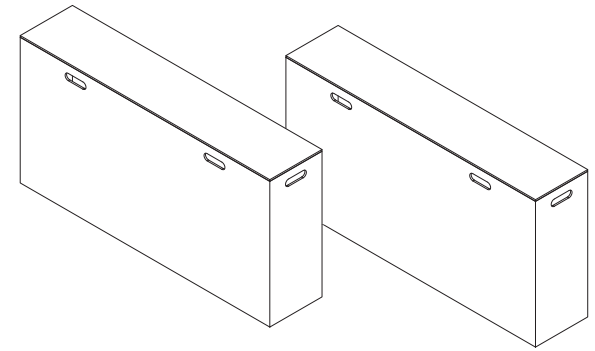


M8x25
12x

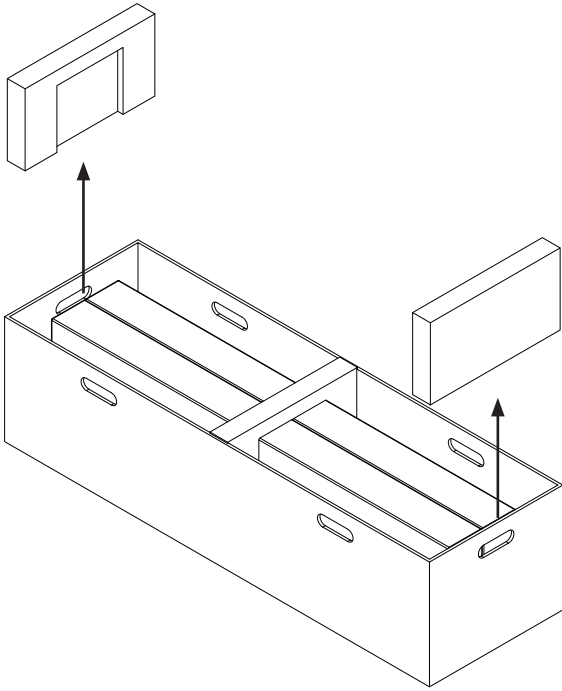


M8 Ring
4x

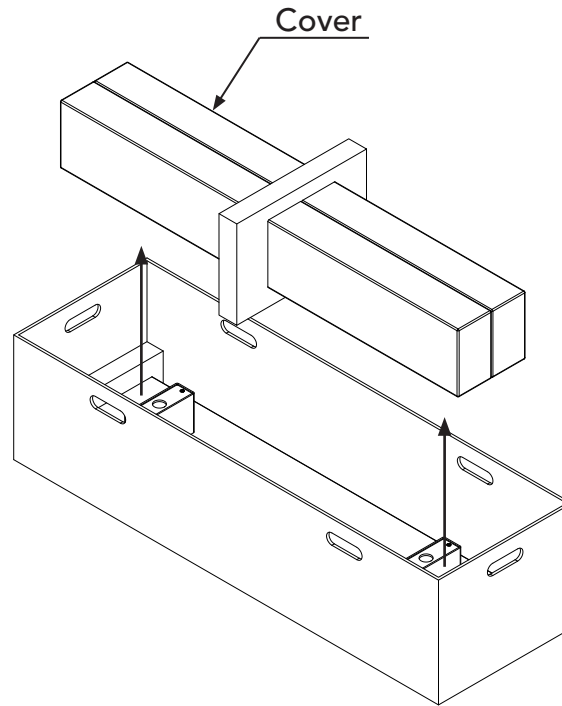
PLUS MODULE: PLUS 1: 0X
PLUS 2: 1X
PLUS 3: 2X



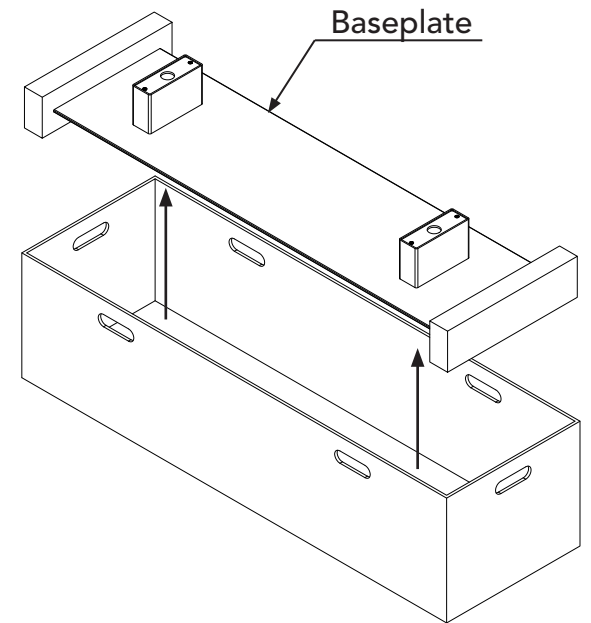
1A BASEPLATE + COVER 1X



1B

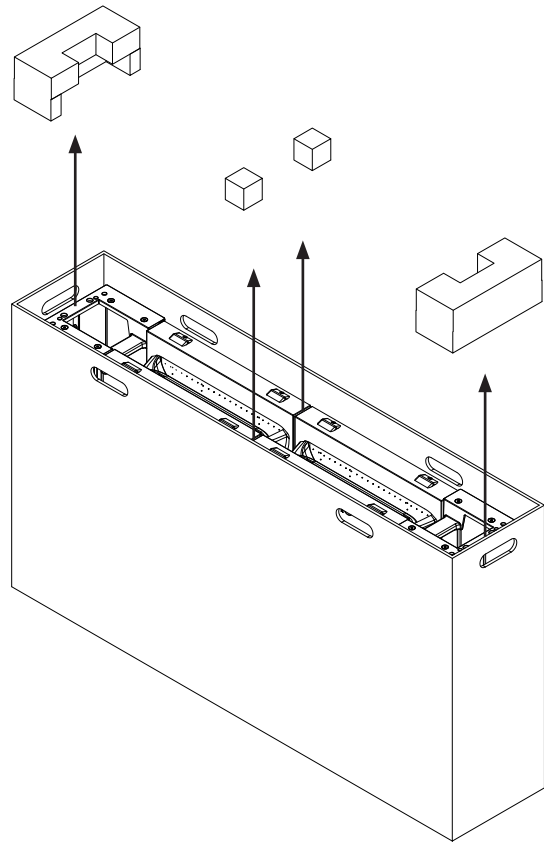


1C

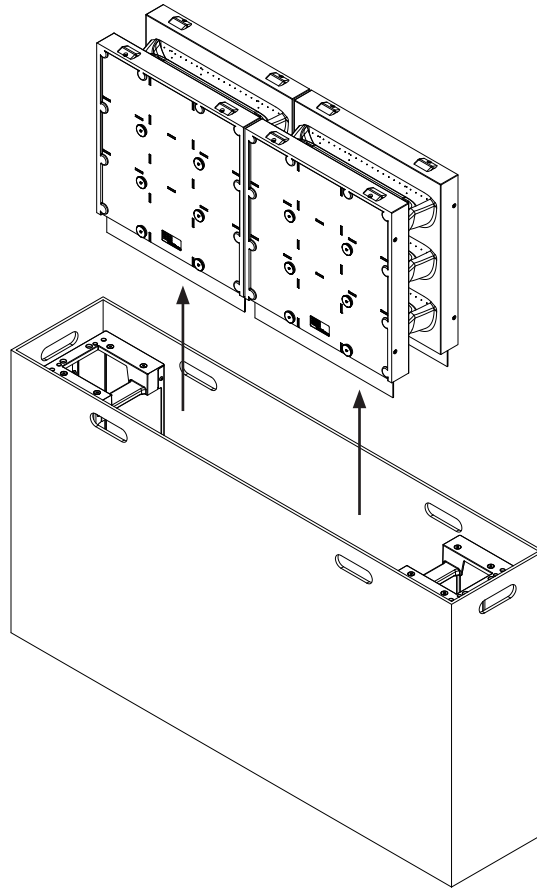


2A

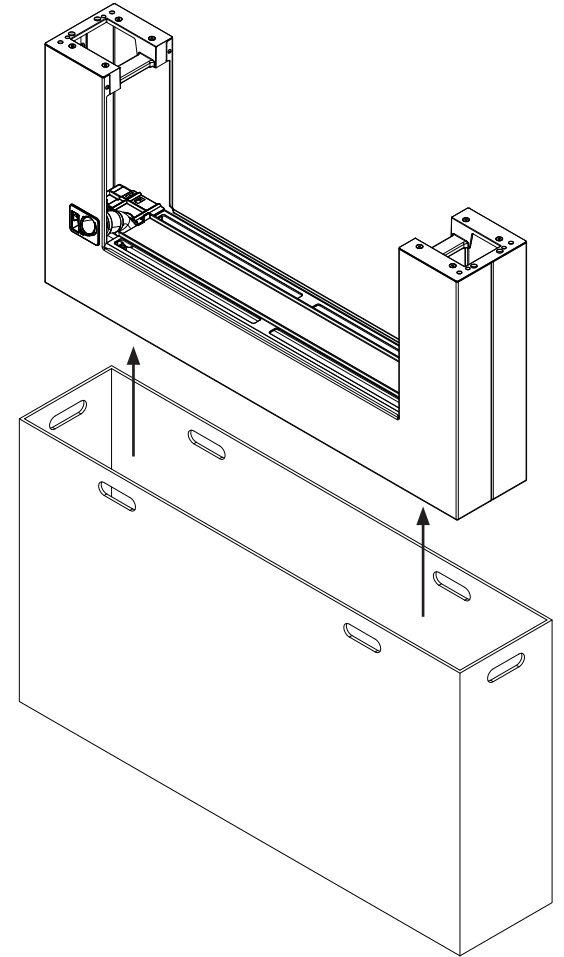
BASE MODULE
1X



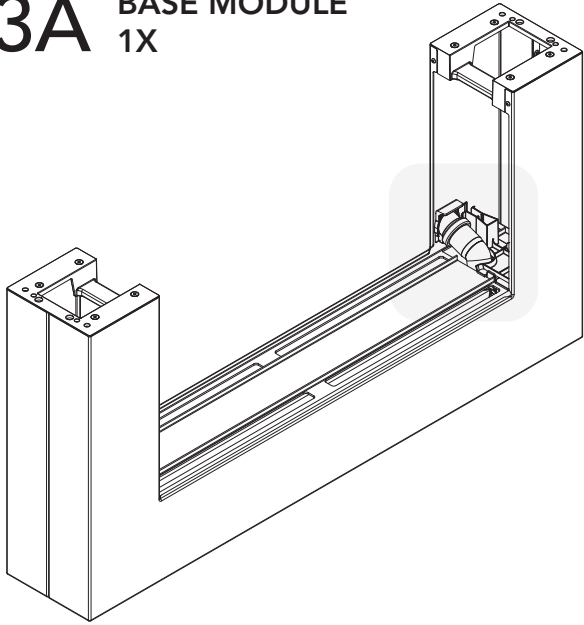
2B



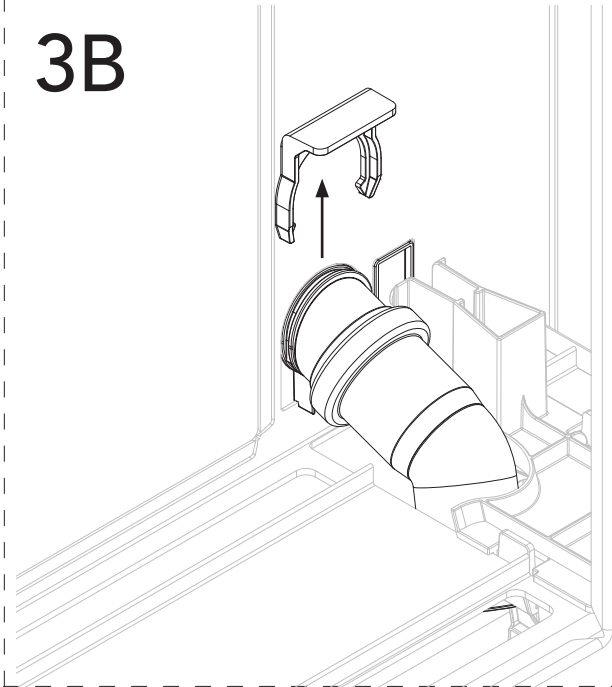
2C



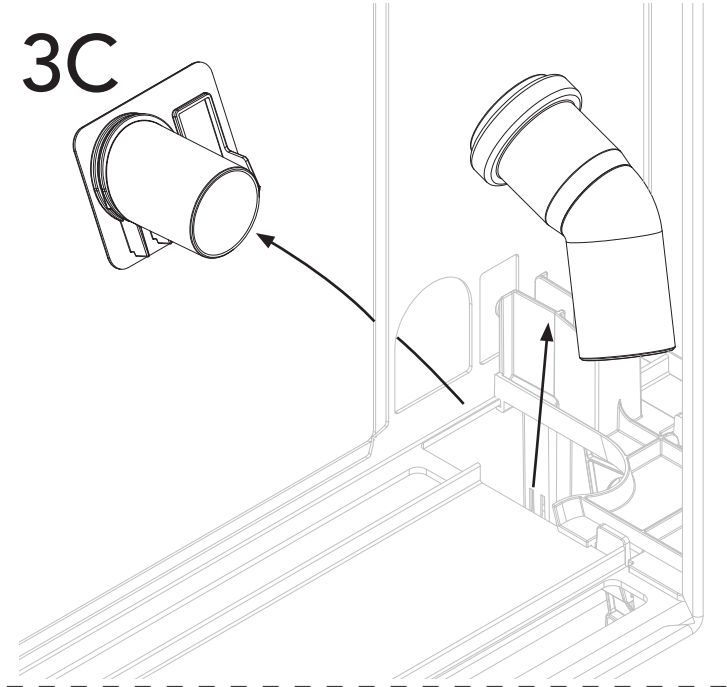
3A BASE MODULE
1X



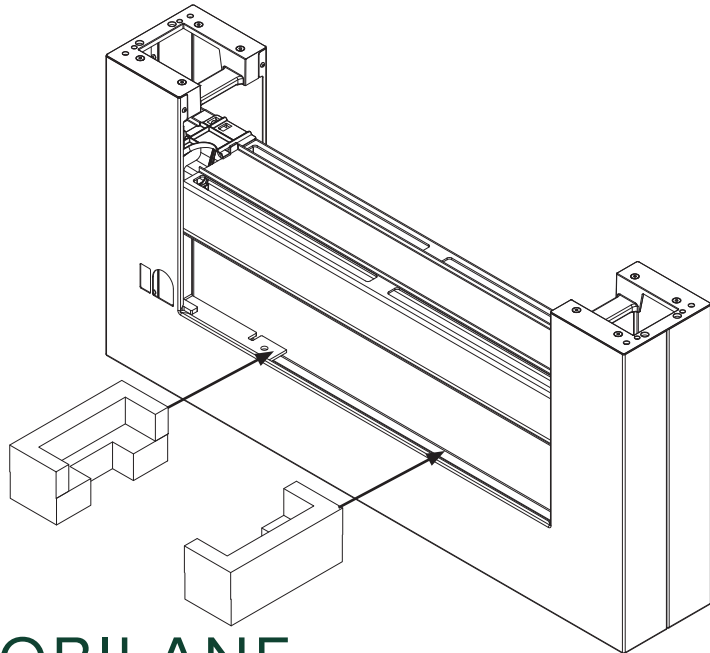
3B



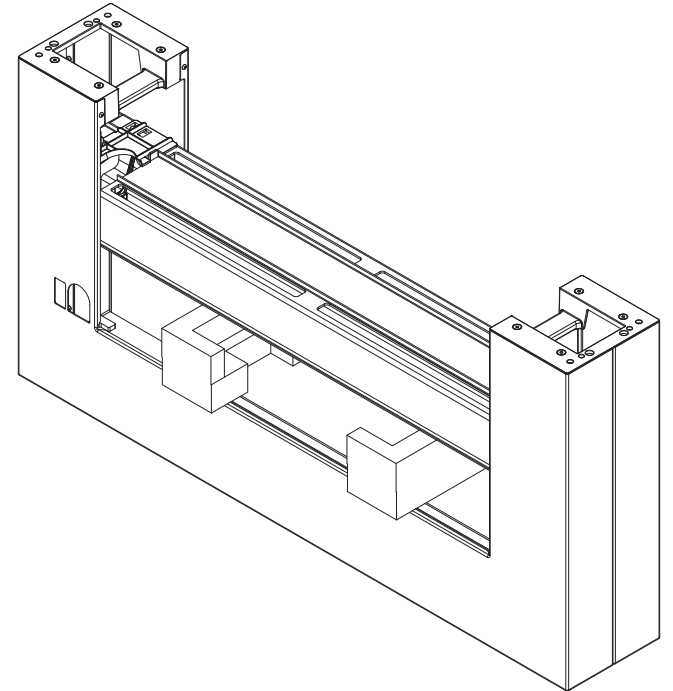
3C



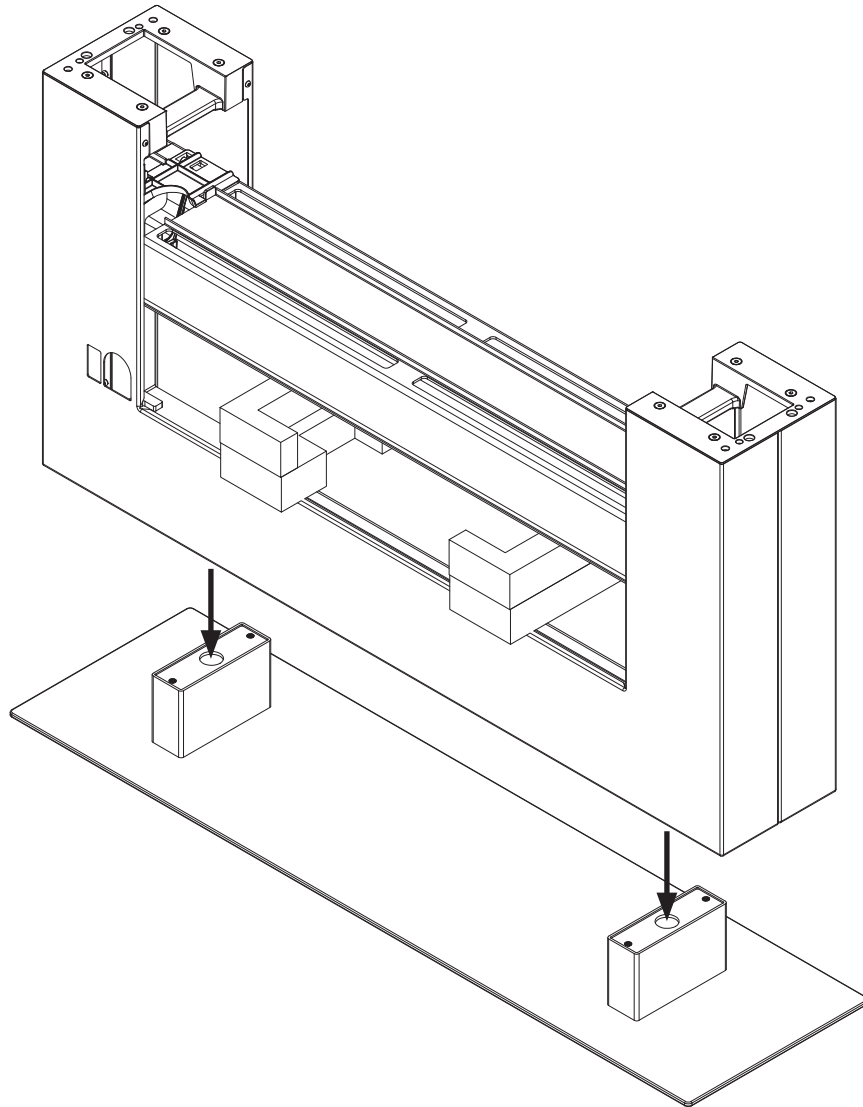
3D



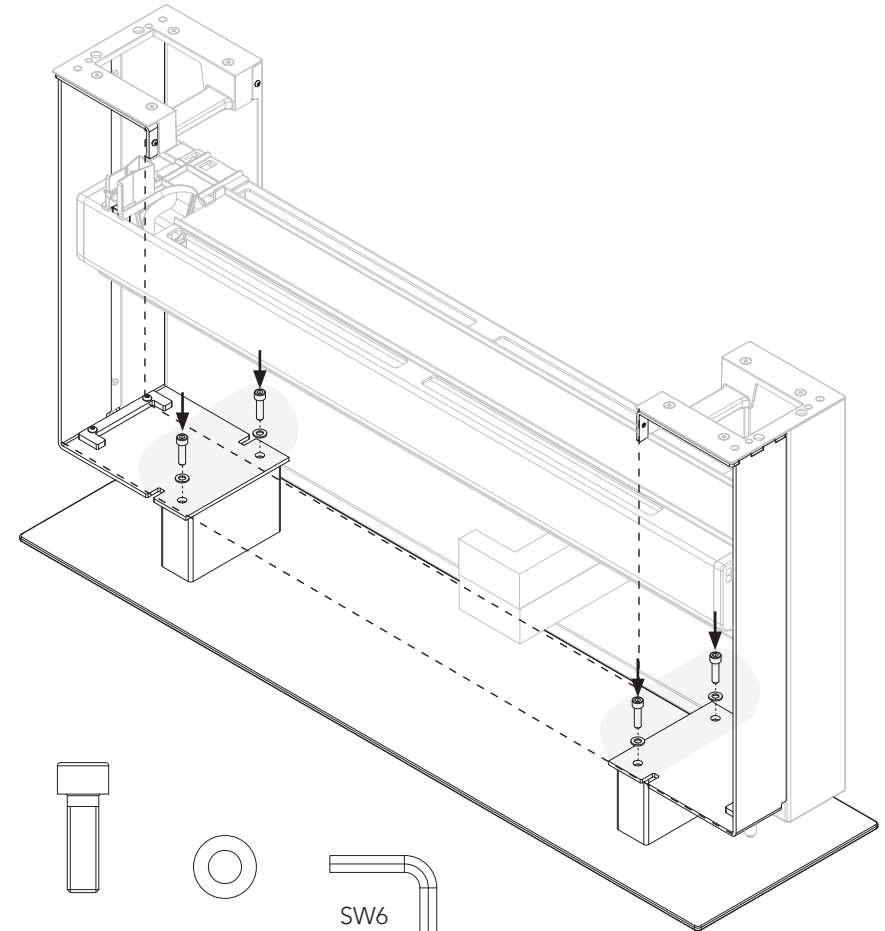
3E



4A

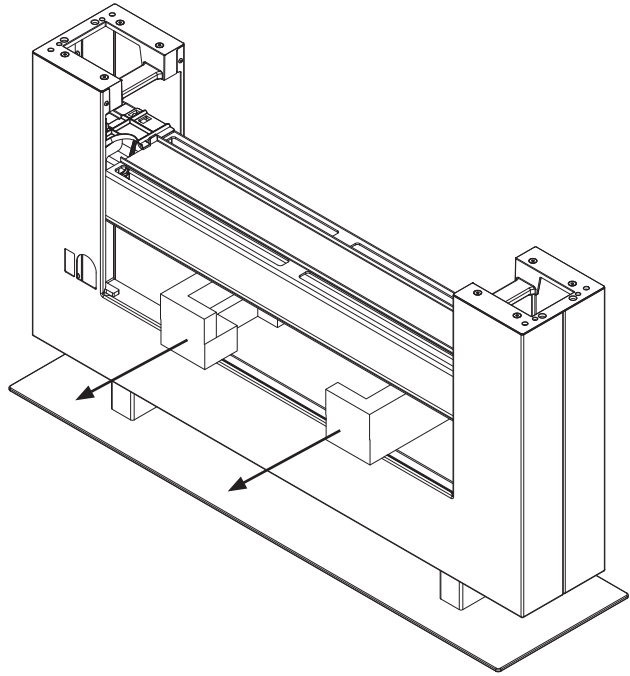


4B

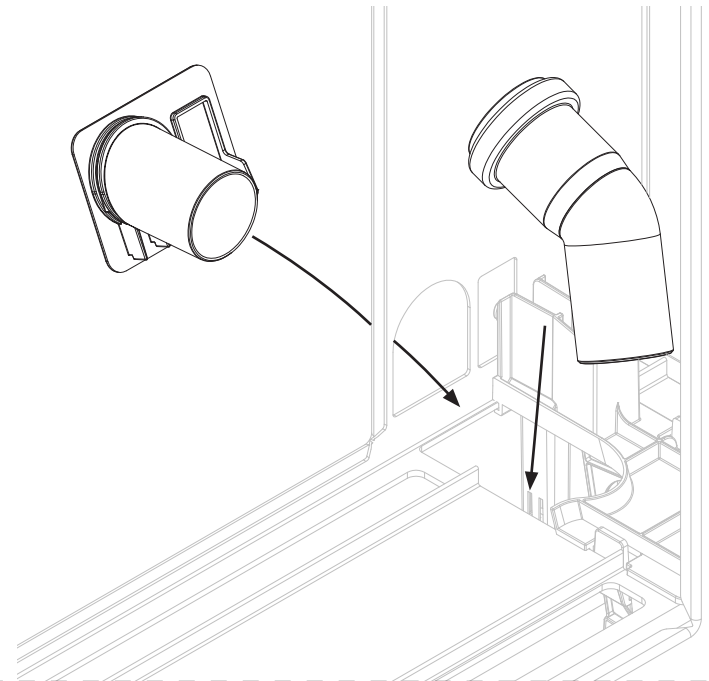


- M8x30
4x
- M8 Ring
4x
- SW6
1x

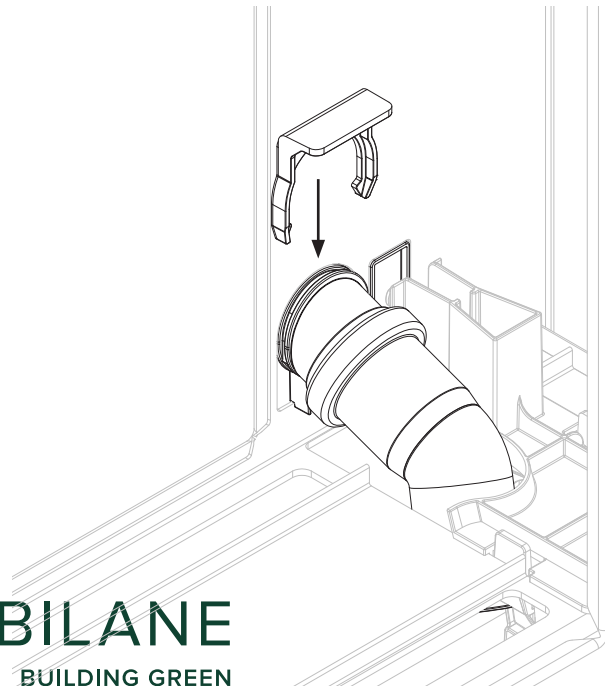
5A



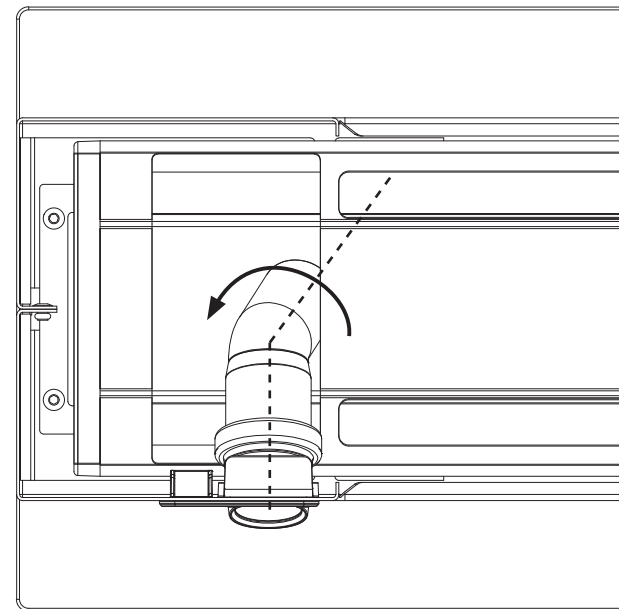
5B



5C

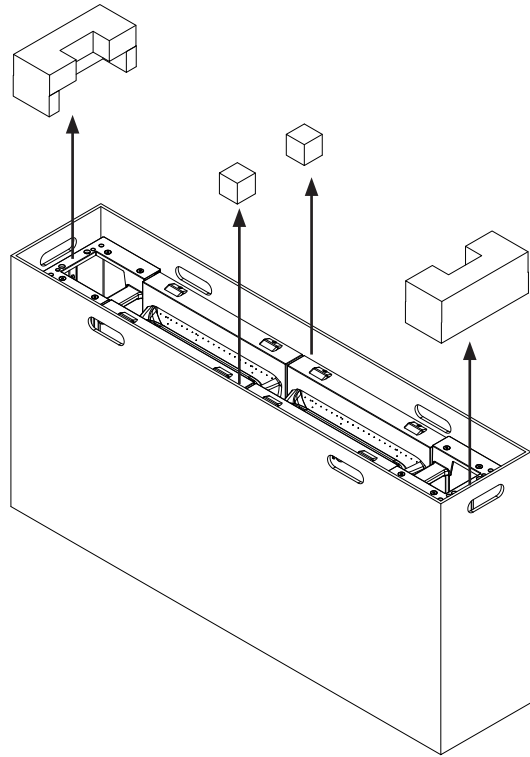


5D

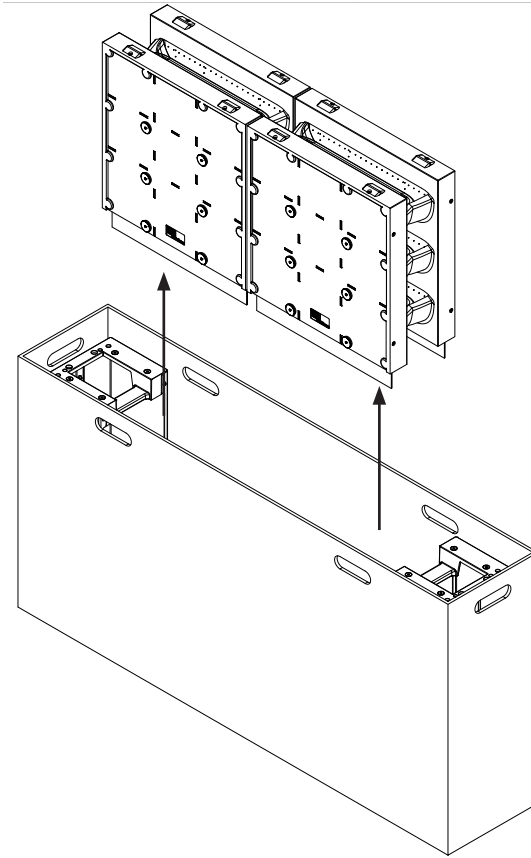


6A PLUS MODULE

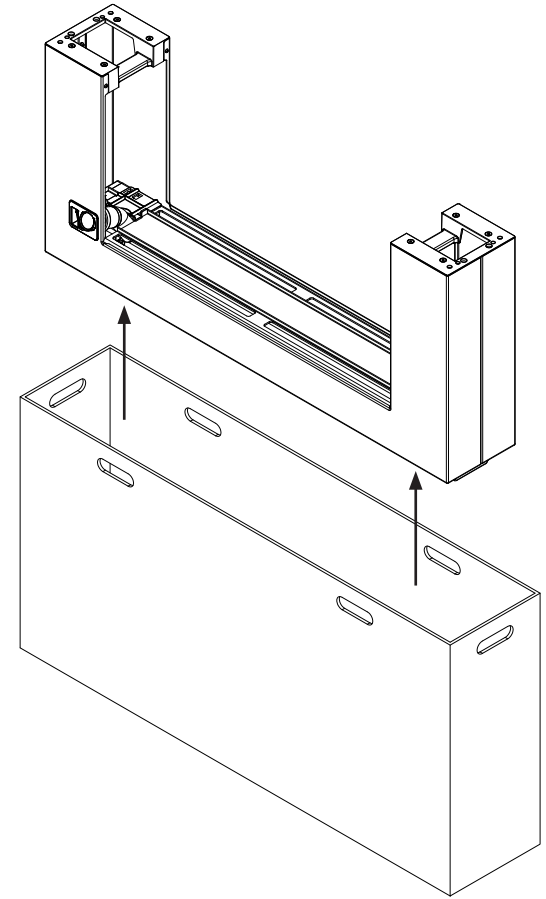
PLUS 1: 0X
PLUS 2: 1X
PLUS 3: 2X



6B

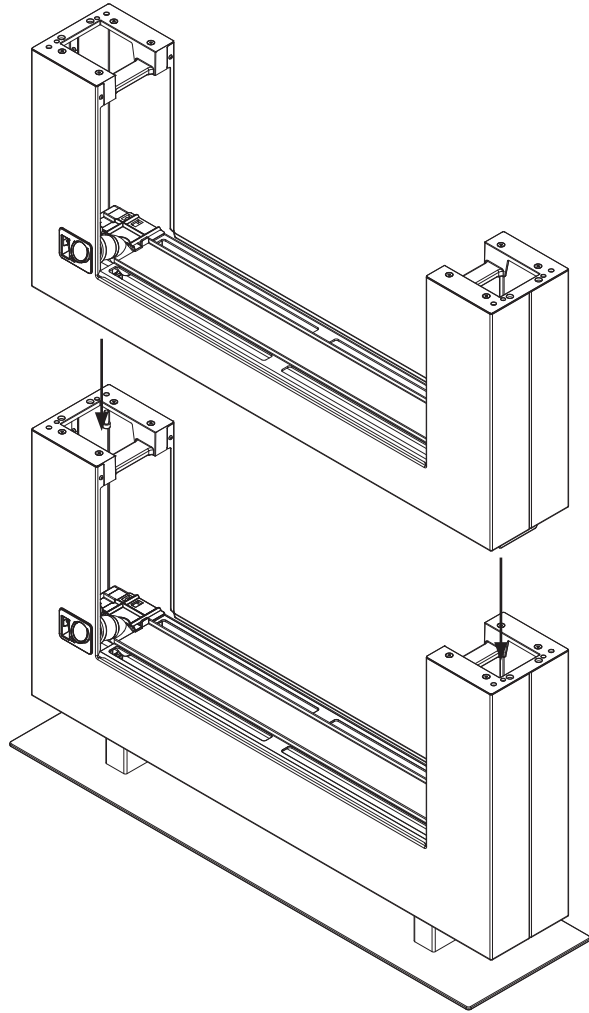


6C

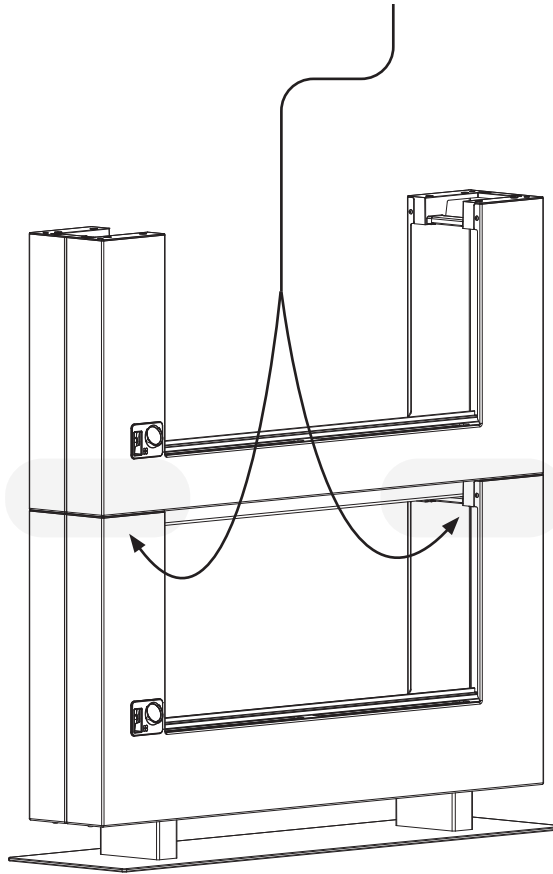
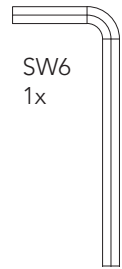


7A PLUS MODULE

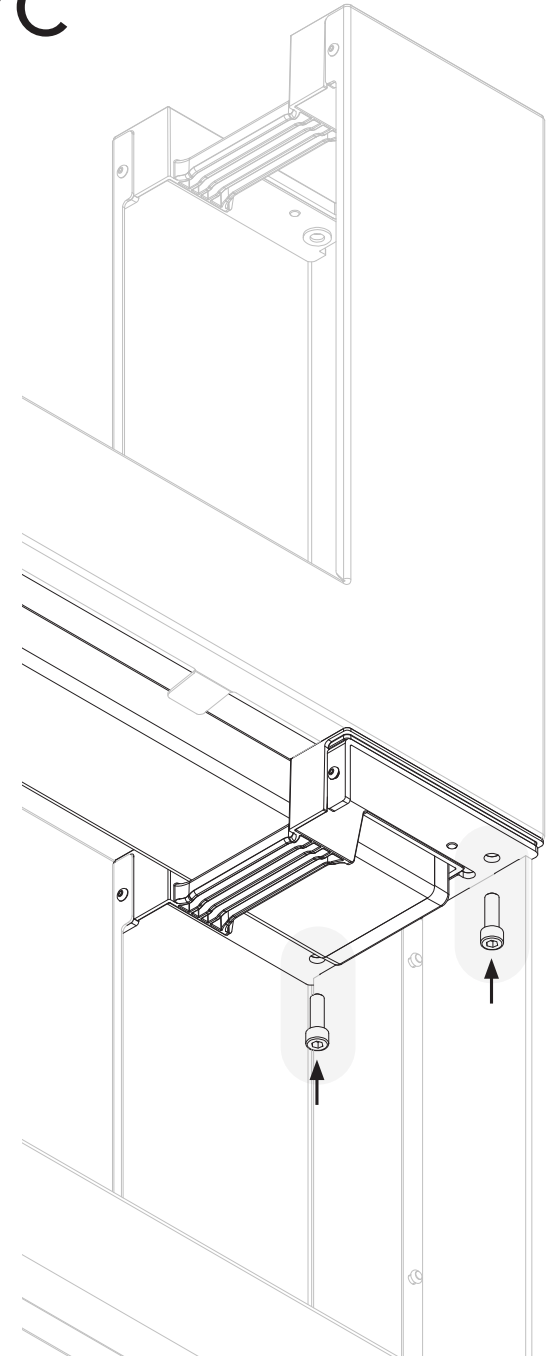
PLUS 1: 0X
PLUS 2: 1X
PLUS 3: 2X



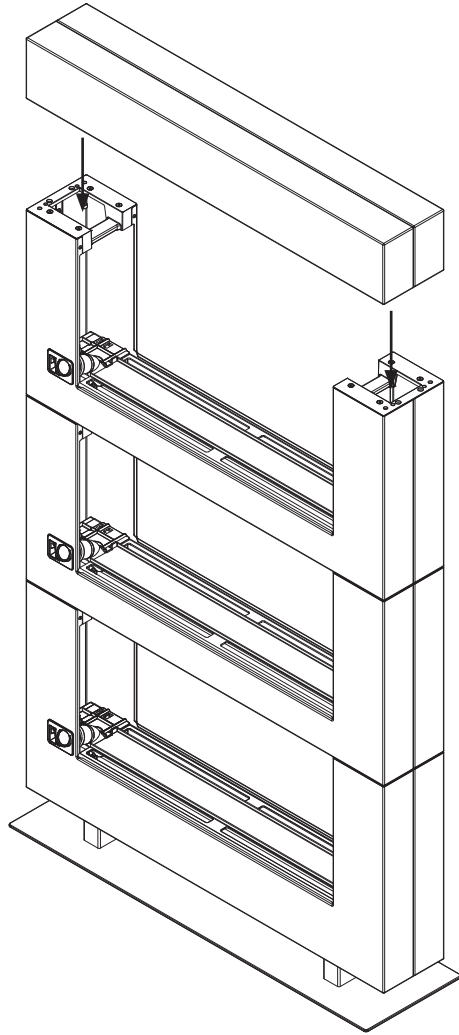
7B



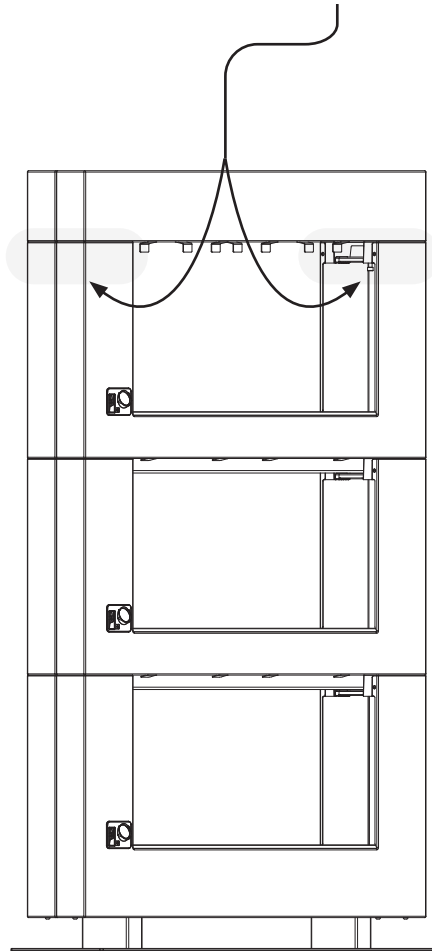
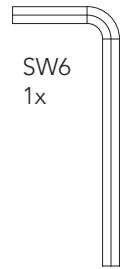
7C



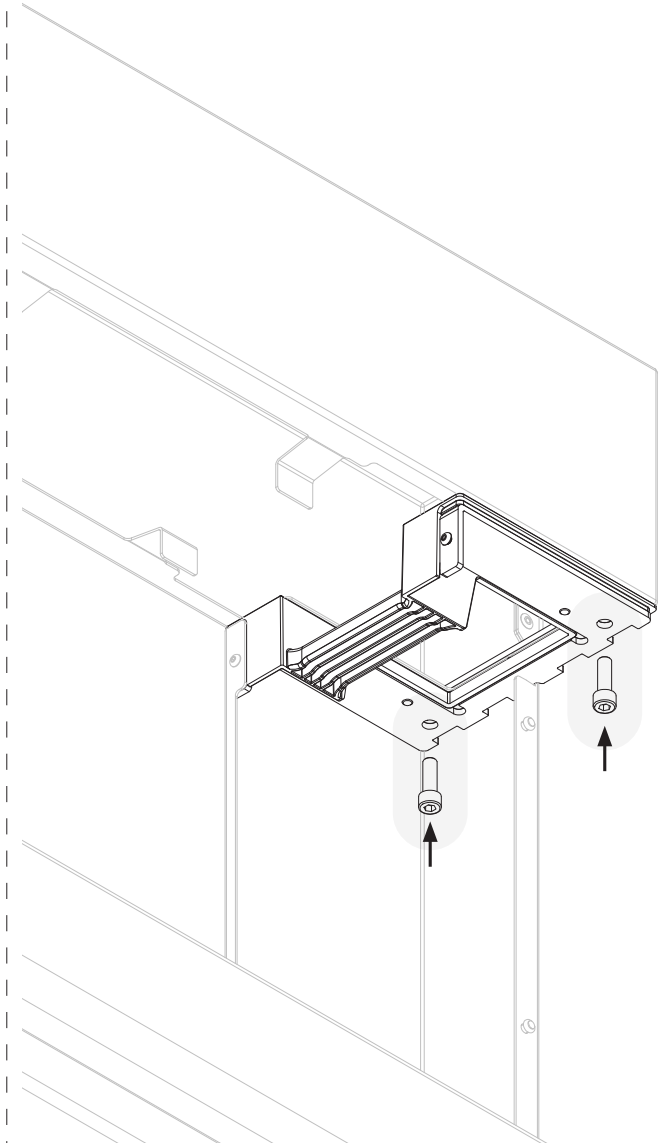
8A COVER 1X

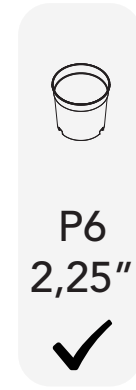
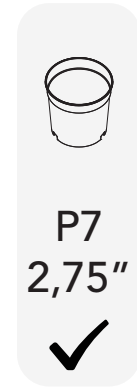


8B

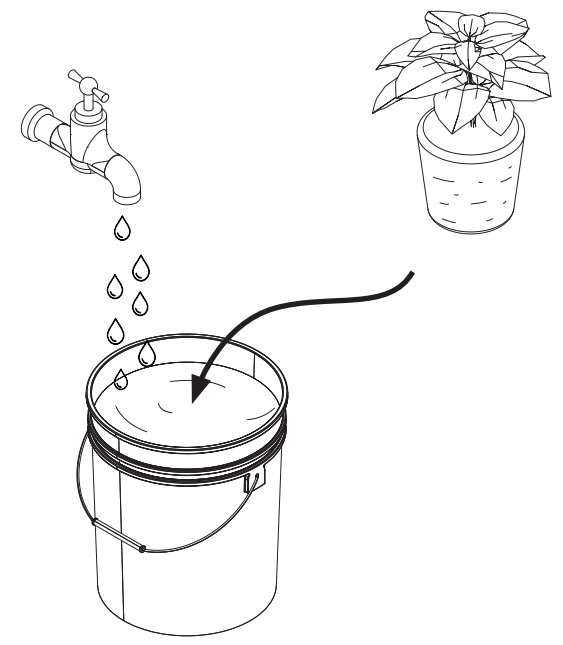


8C

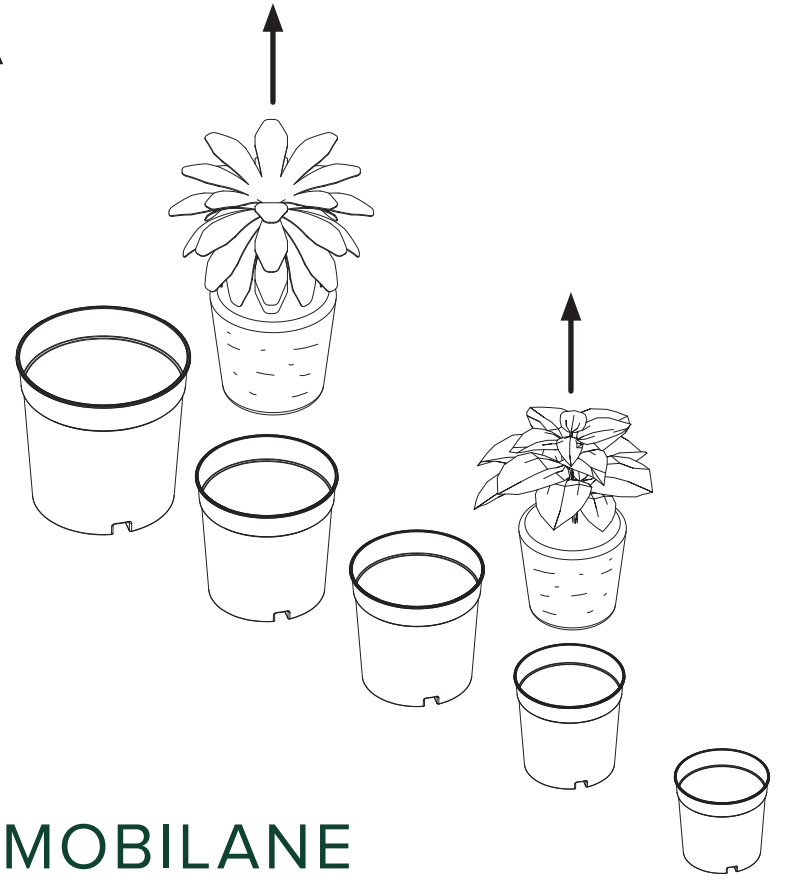




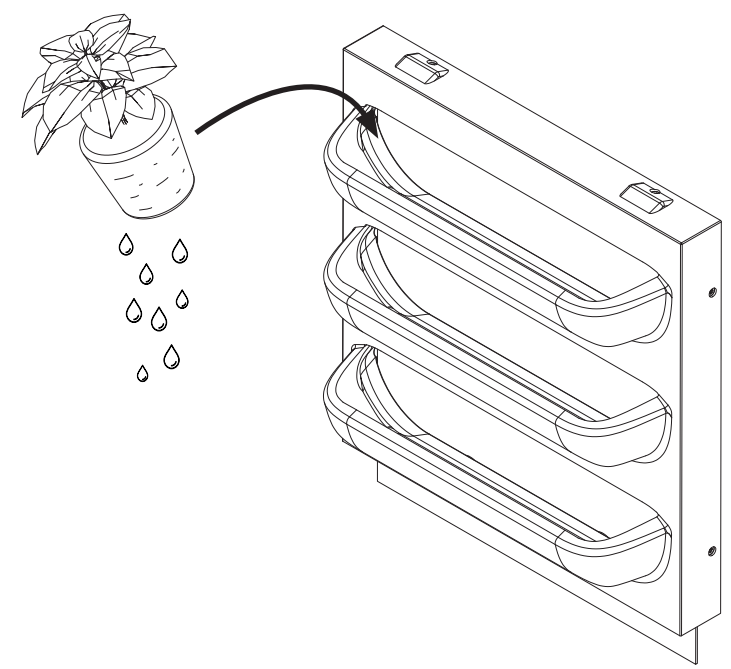
9B



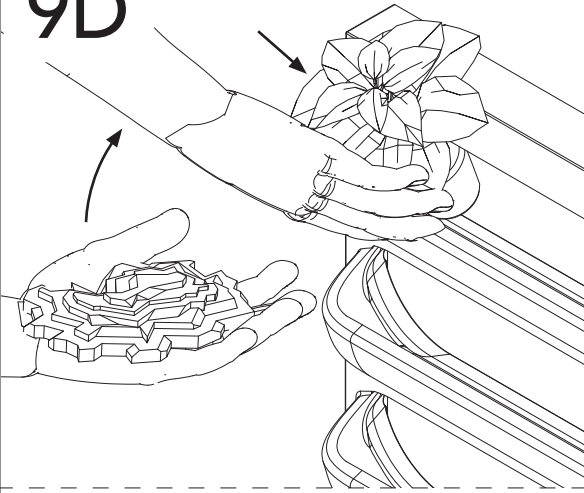
9A



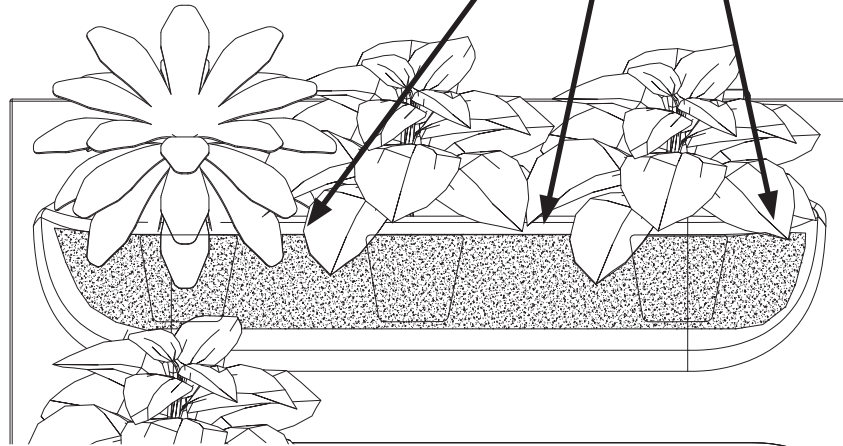
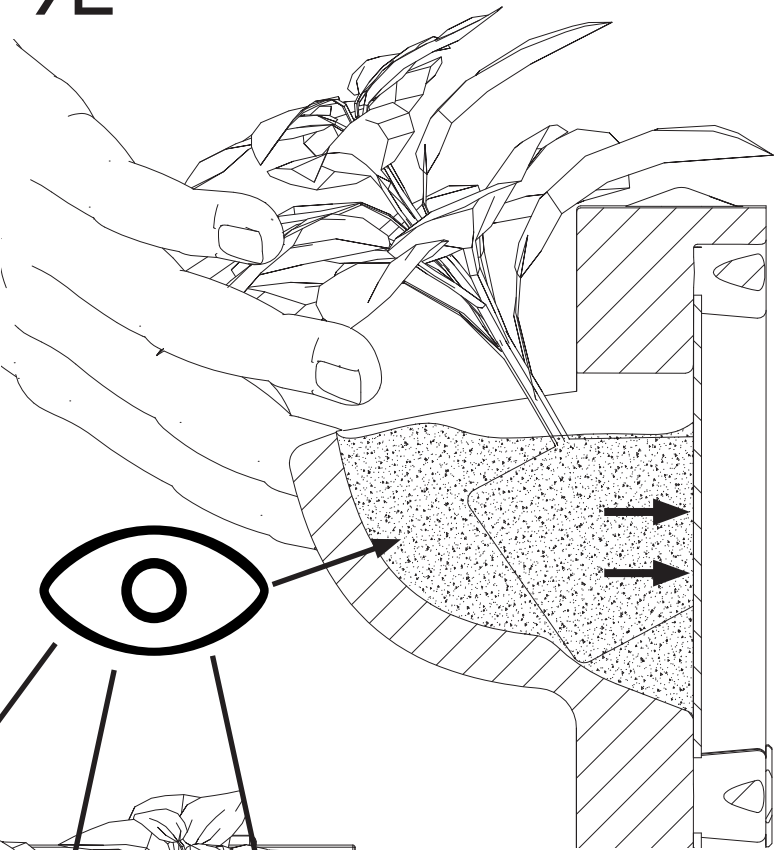
9C



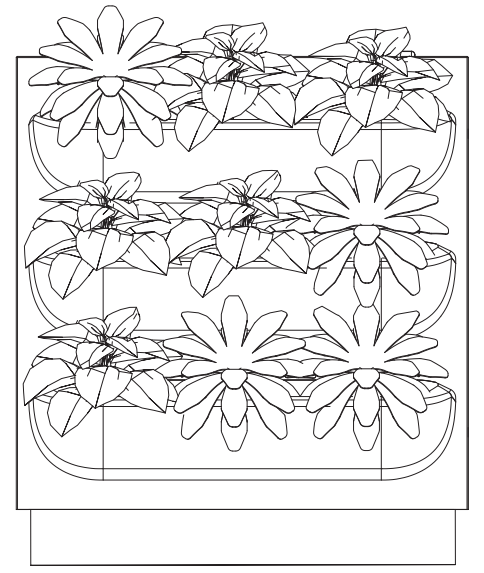
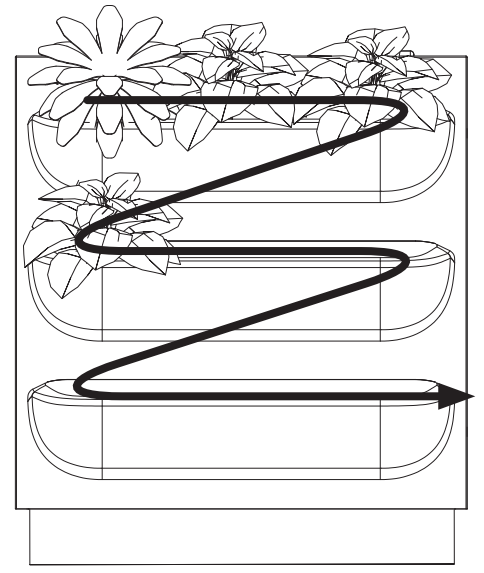
9D



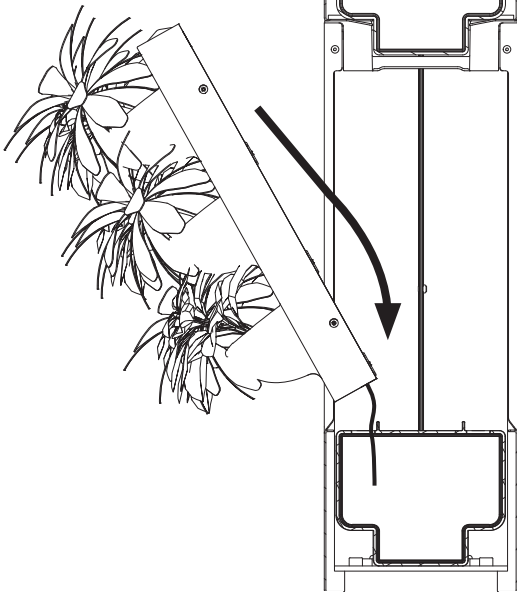
9E



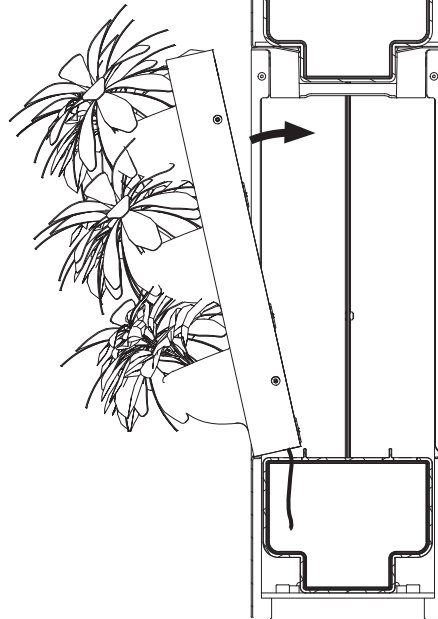
9F



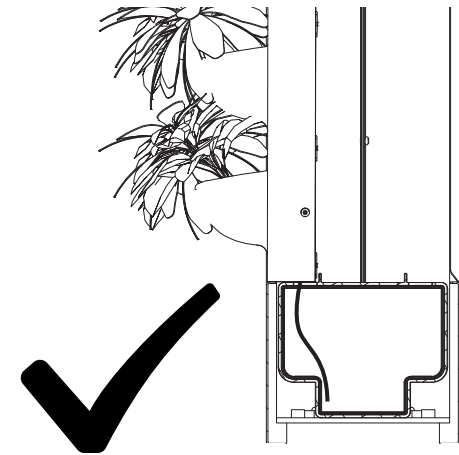
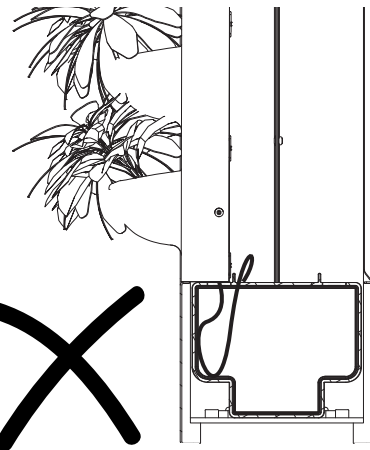
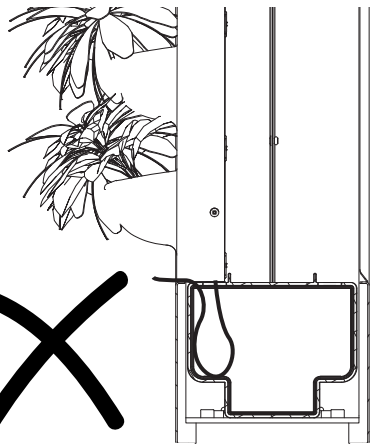
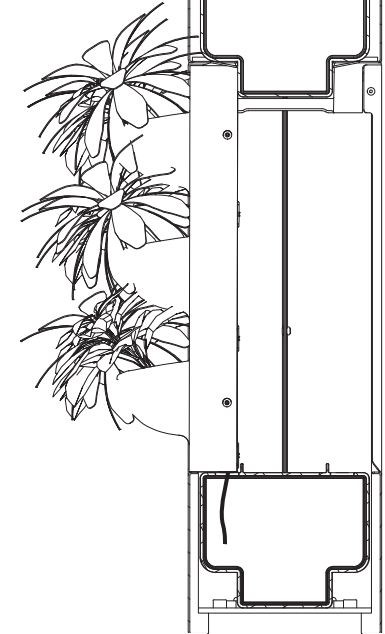
10A



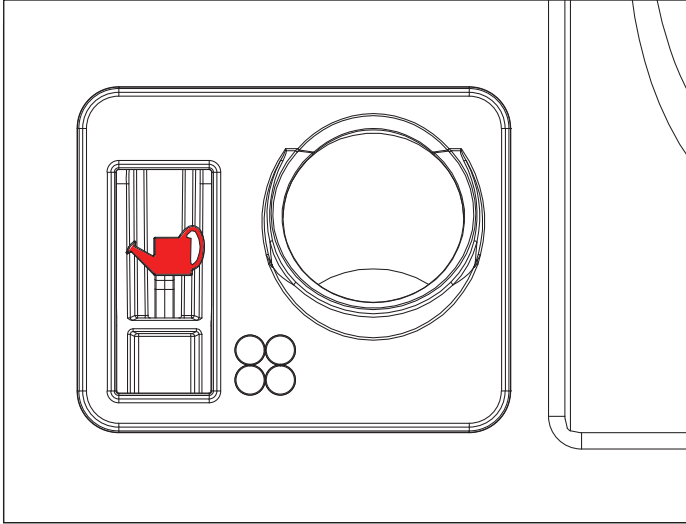
10B



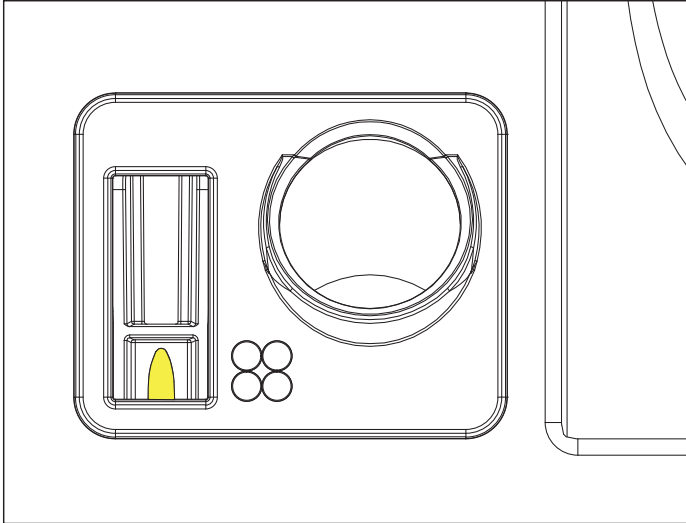
10C



11



= Fill



= Stop

