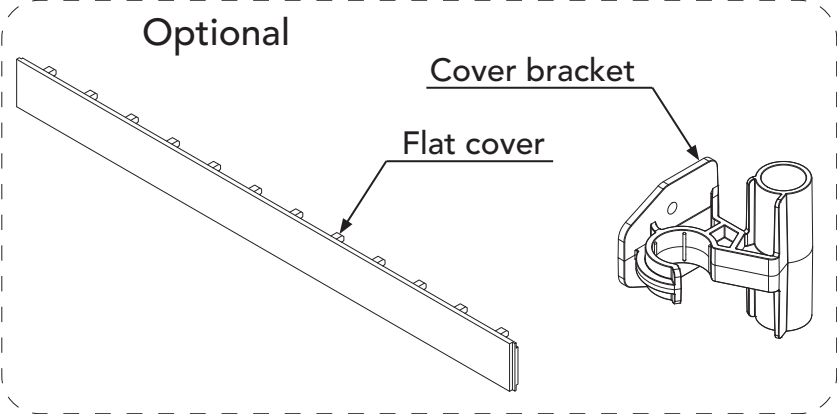
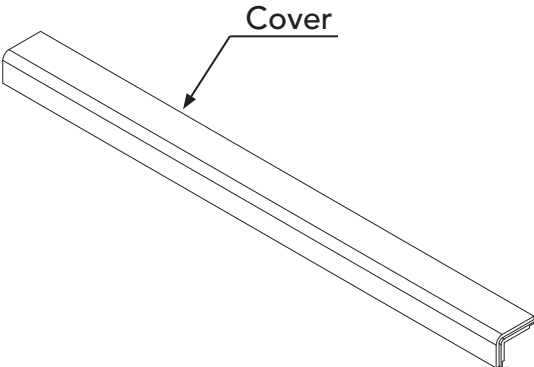
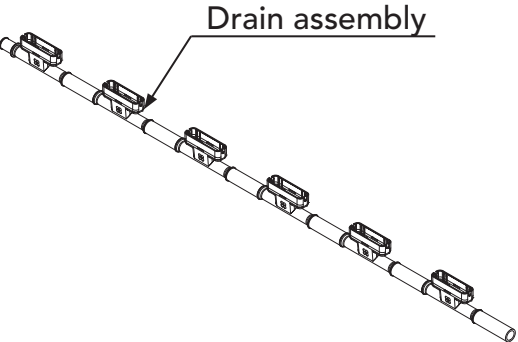
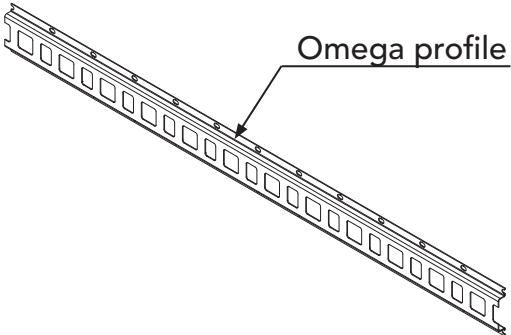
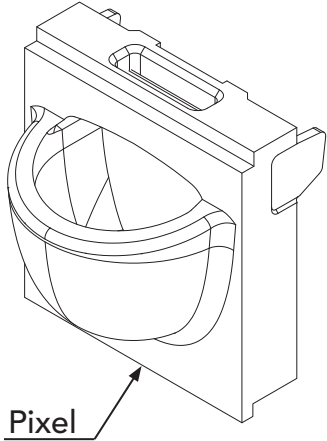
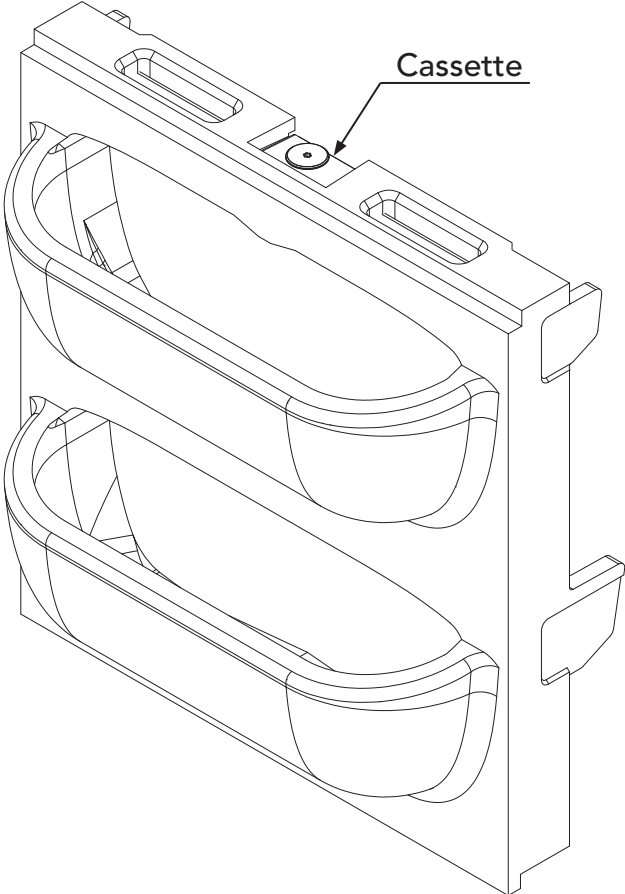
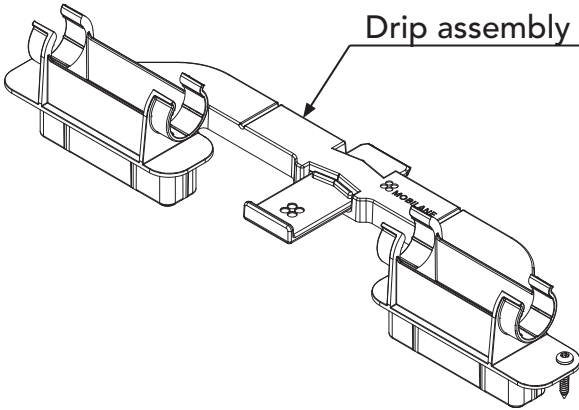
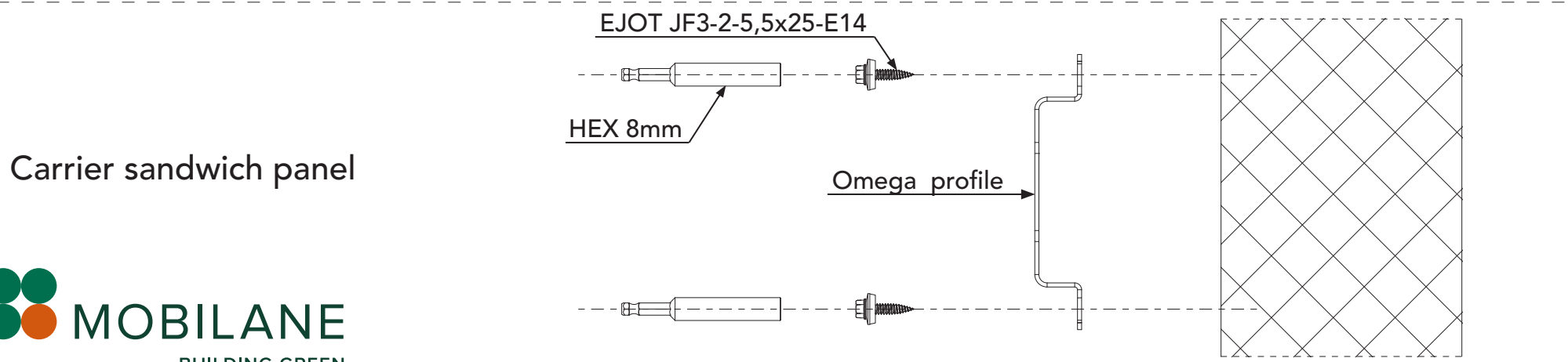
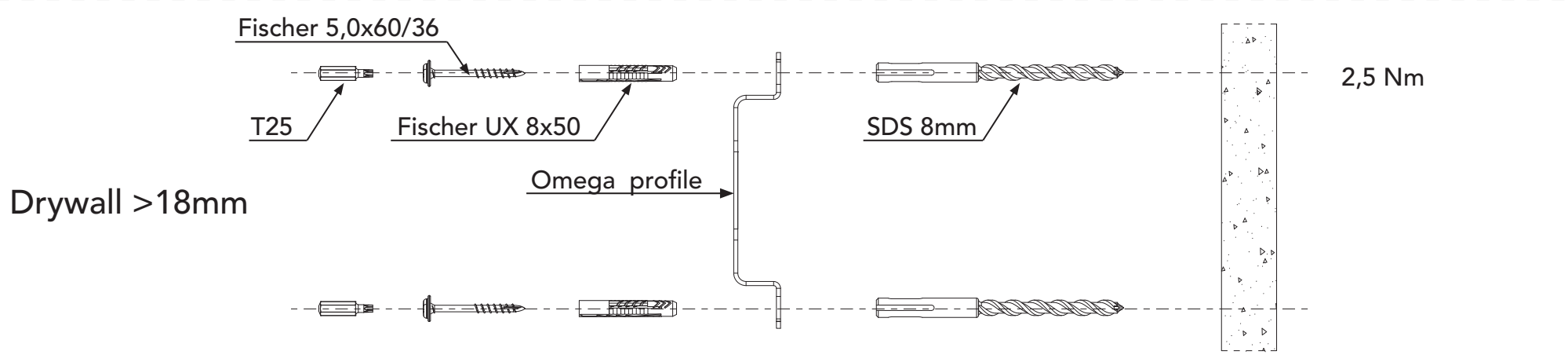
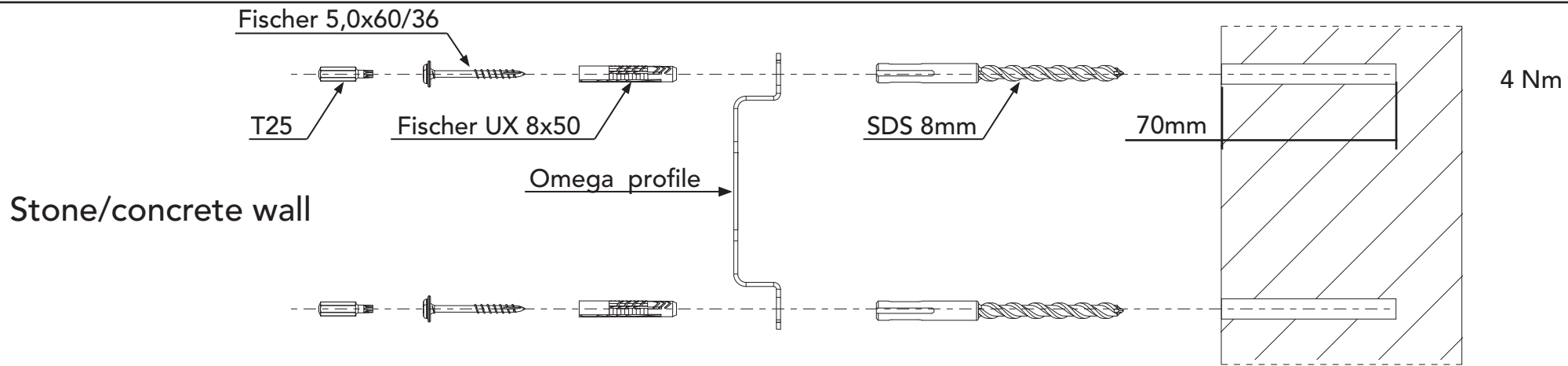
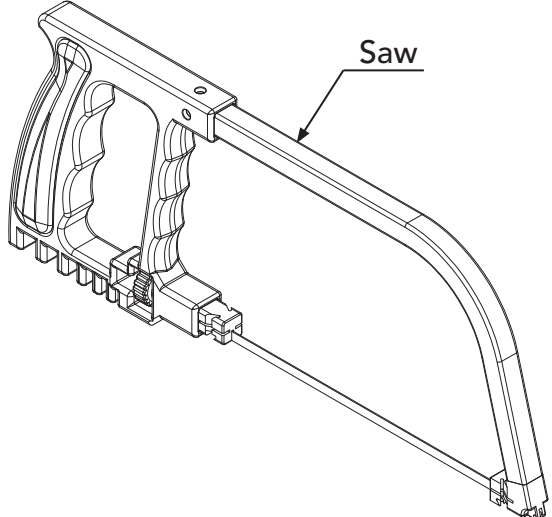
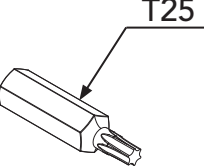
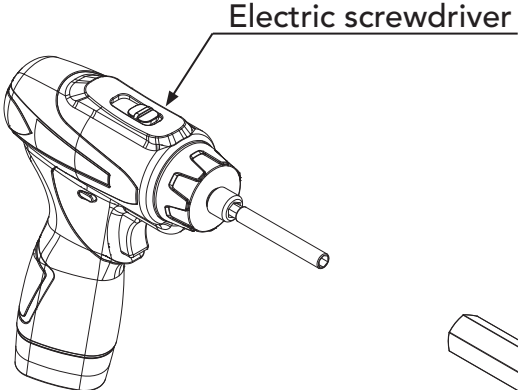
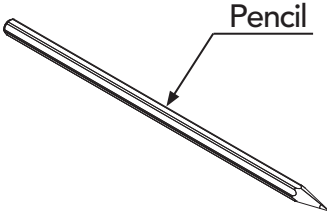
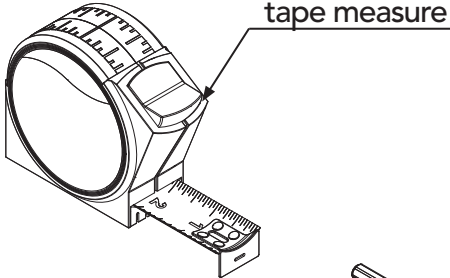
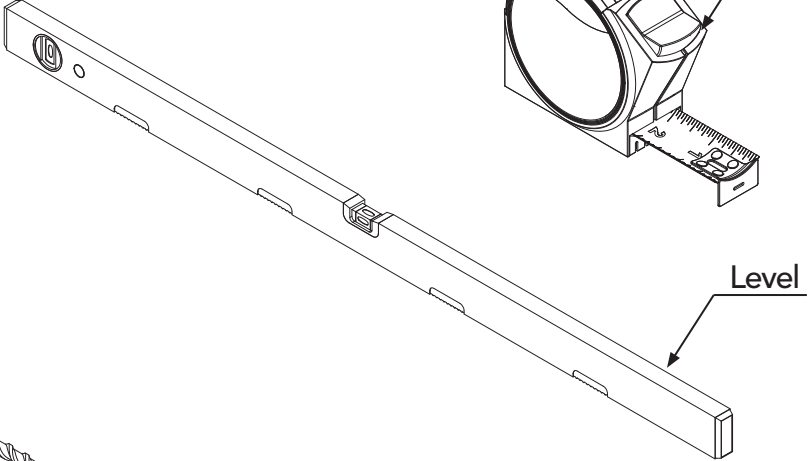
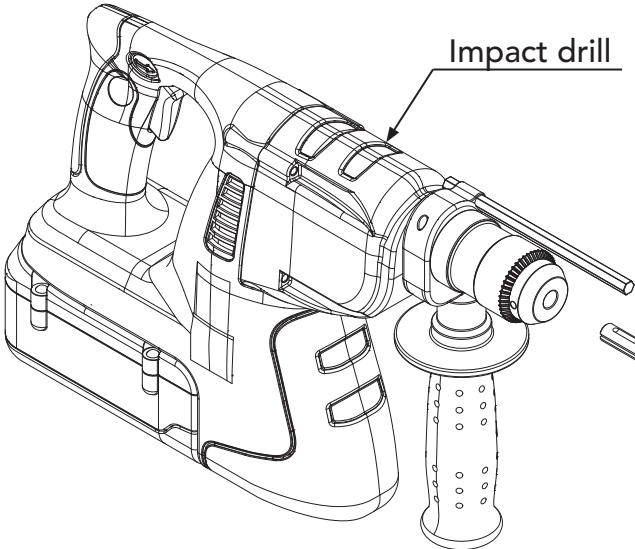


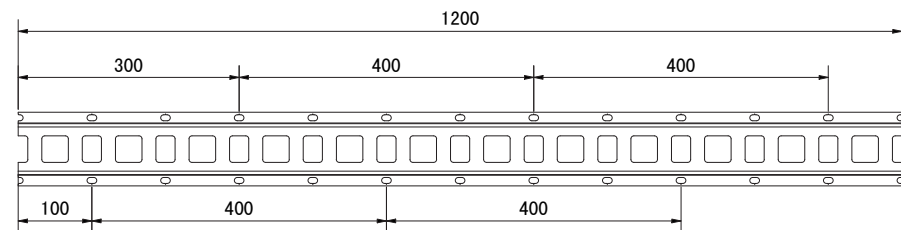
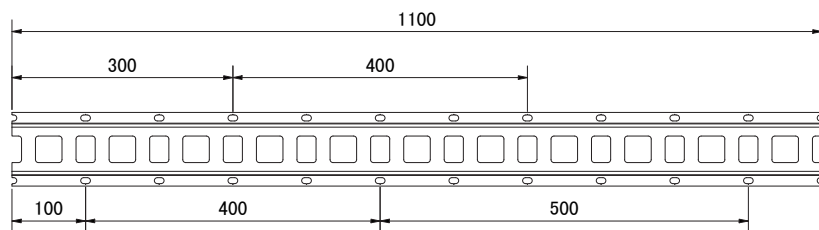
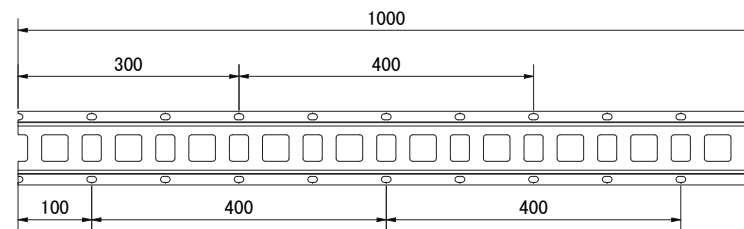
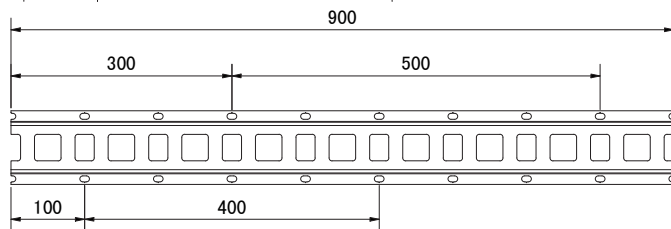
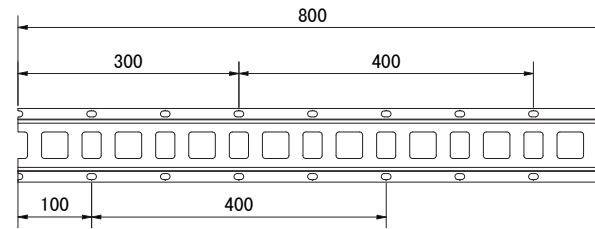
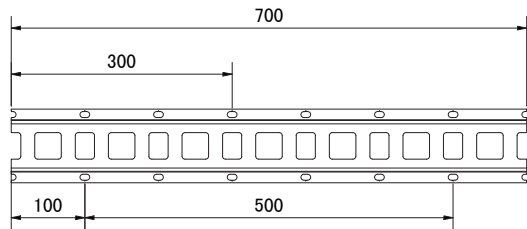
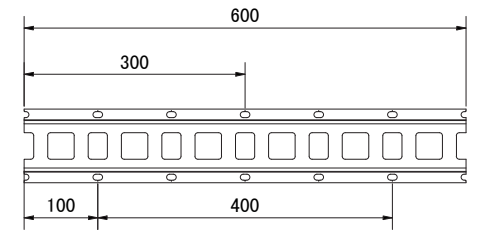
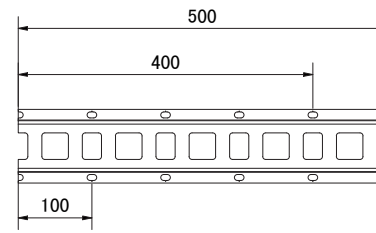
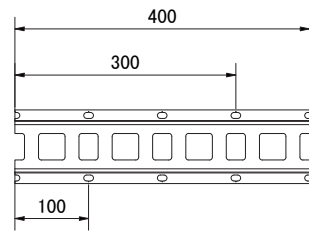
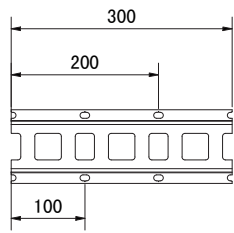
Included



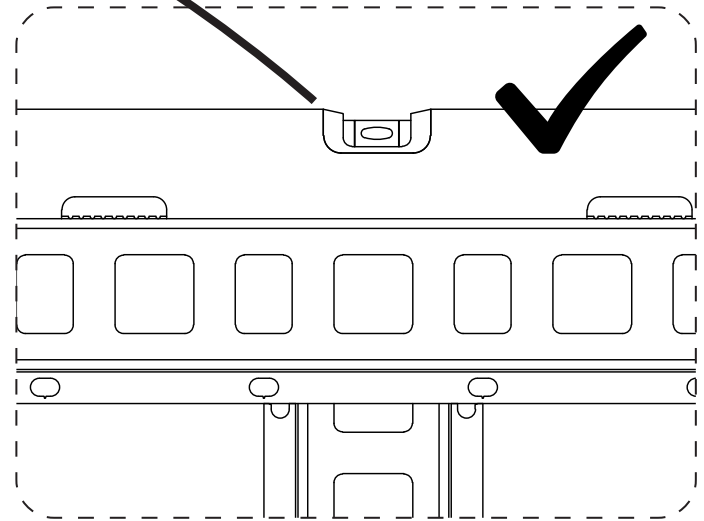
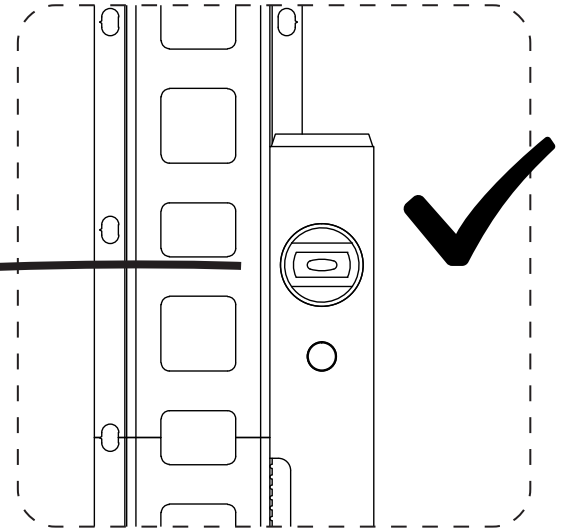
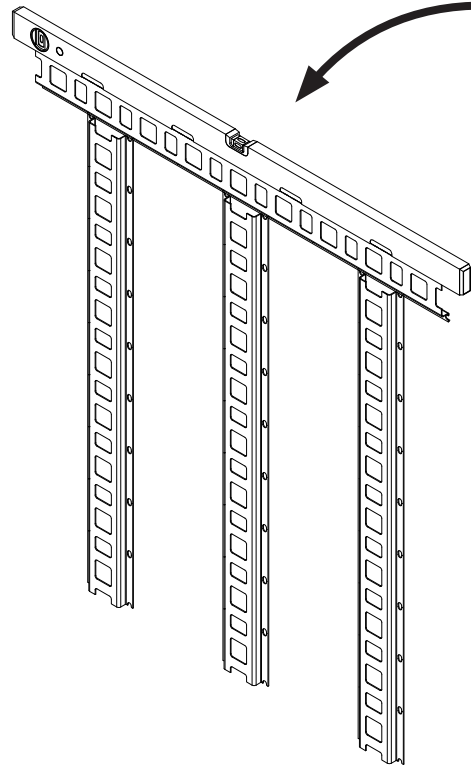
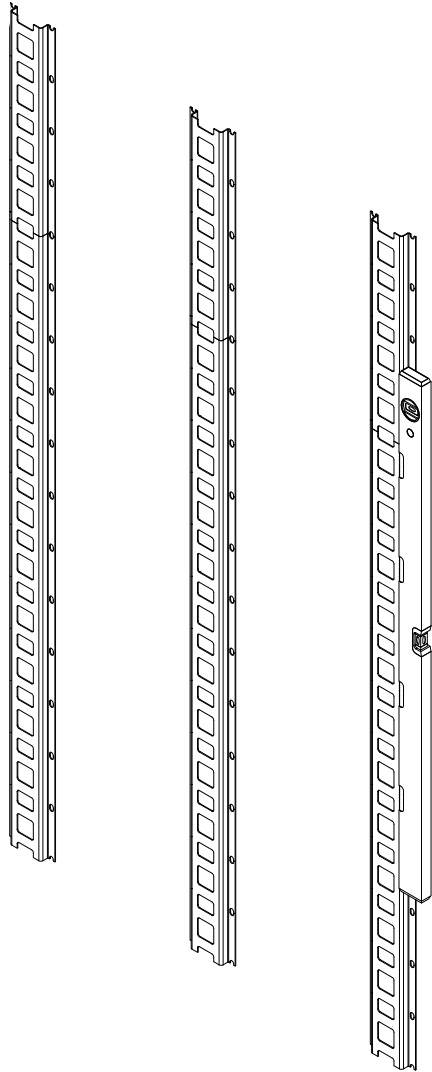


Required tools

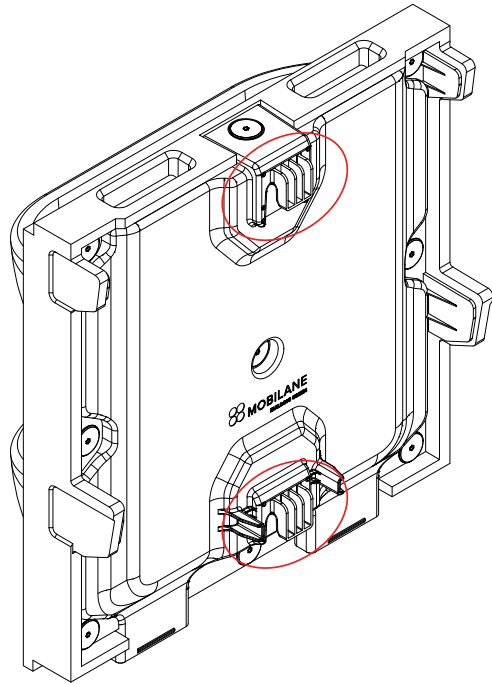




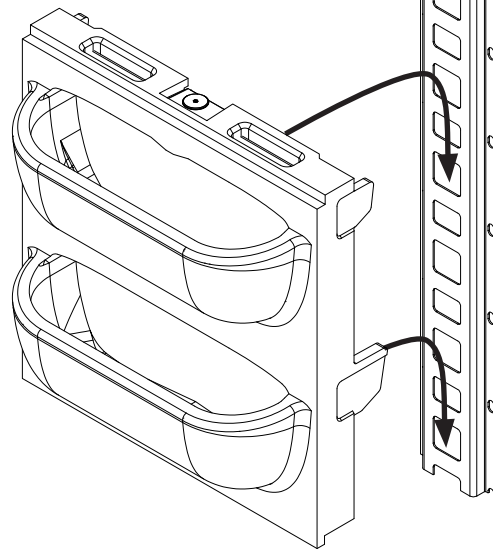
1



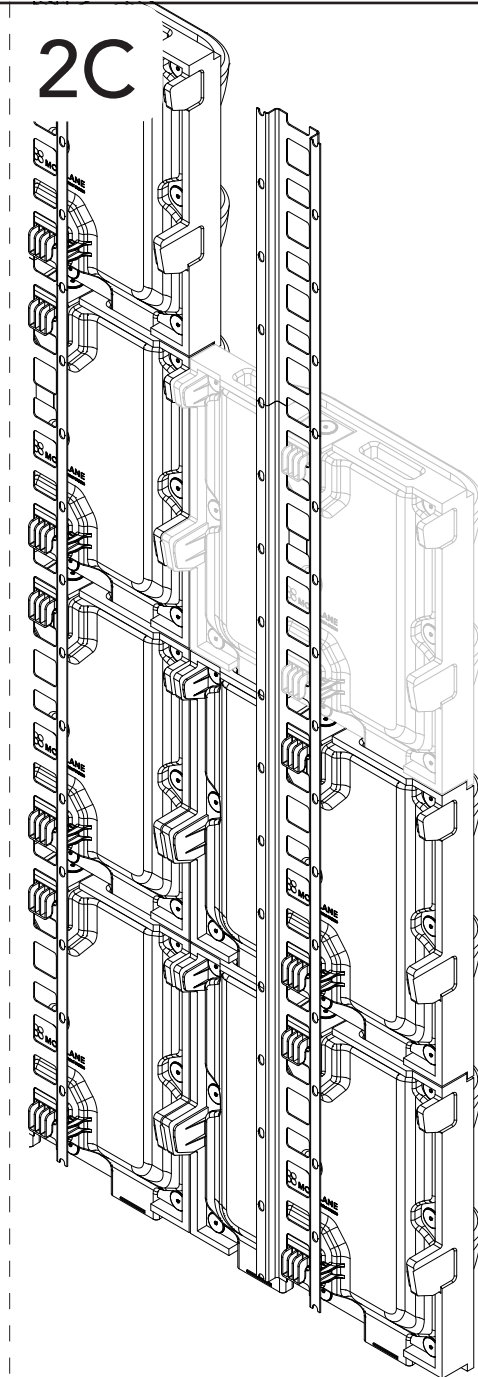
2A



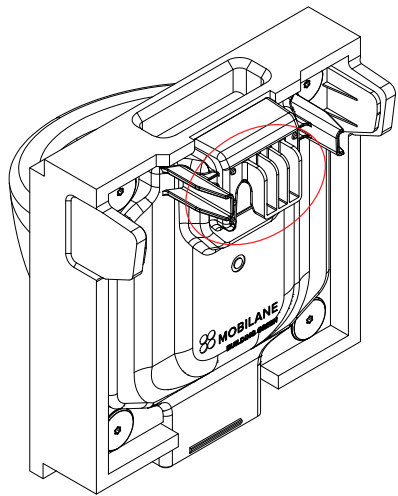
2B



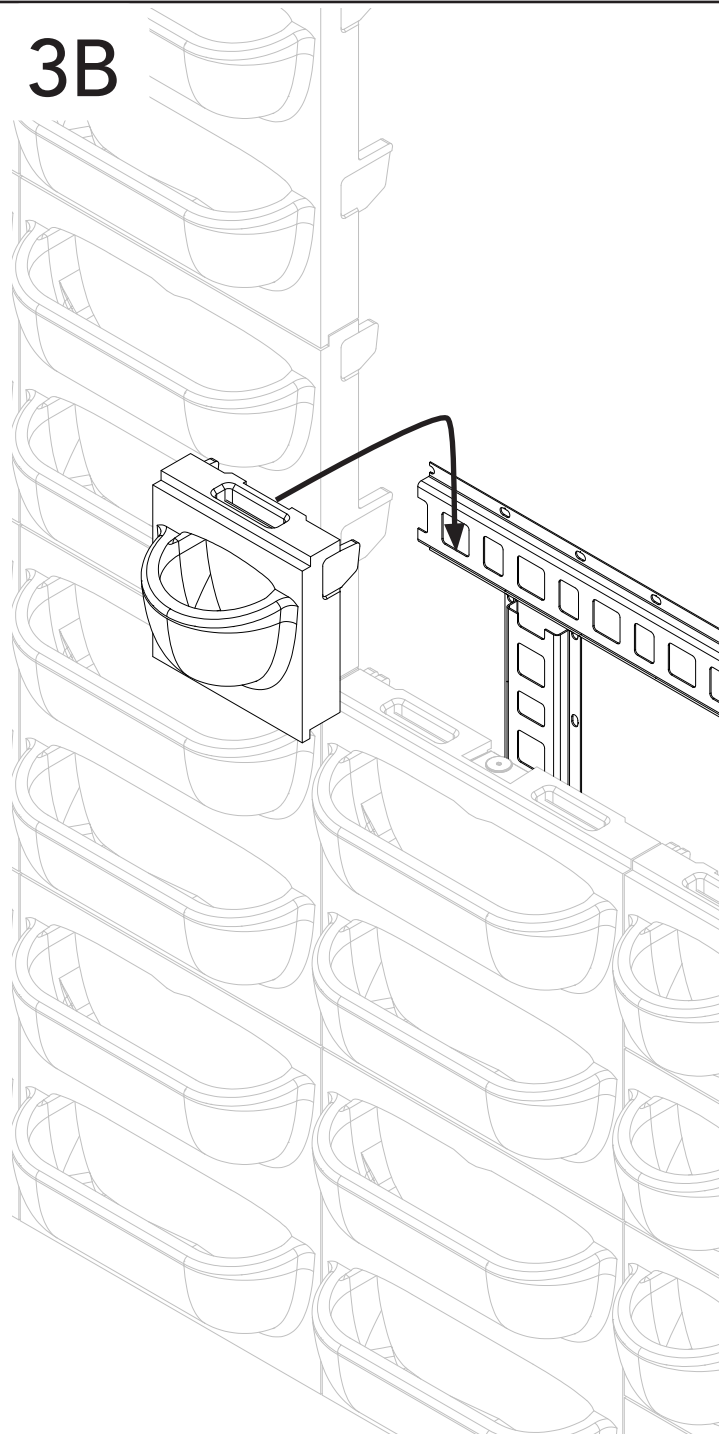
2C



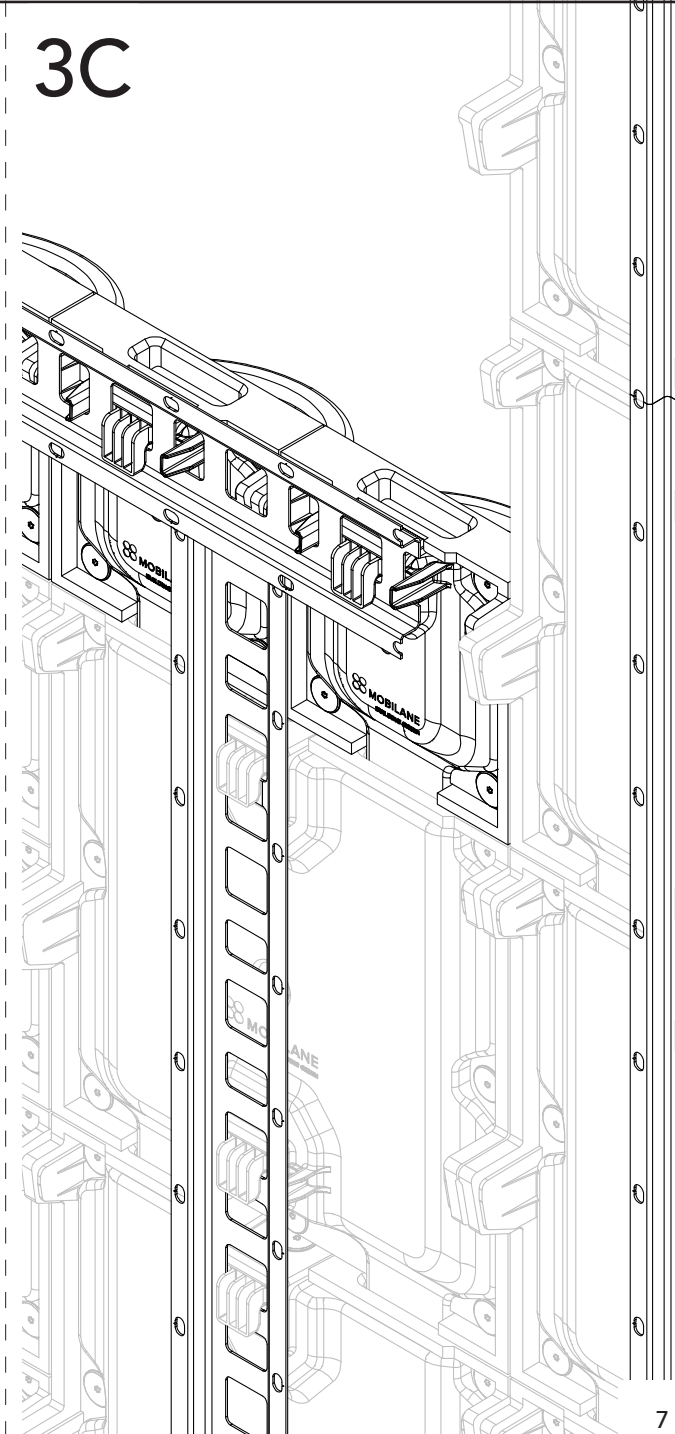
3A



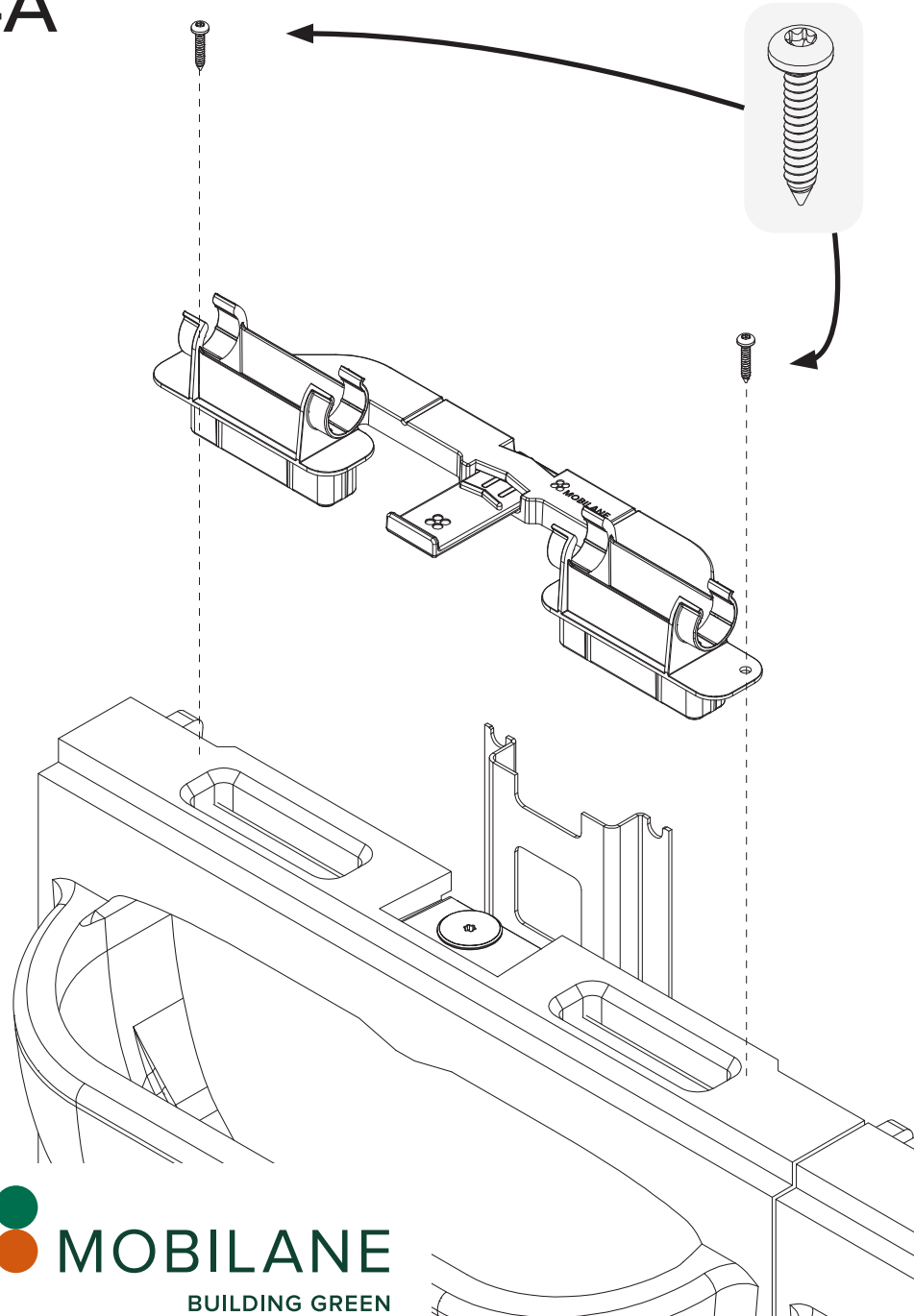
3B



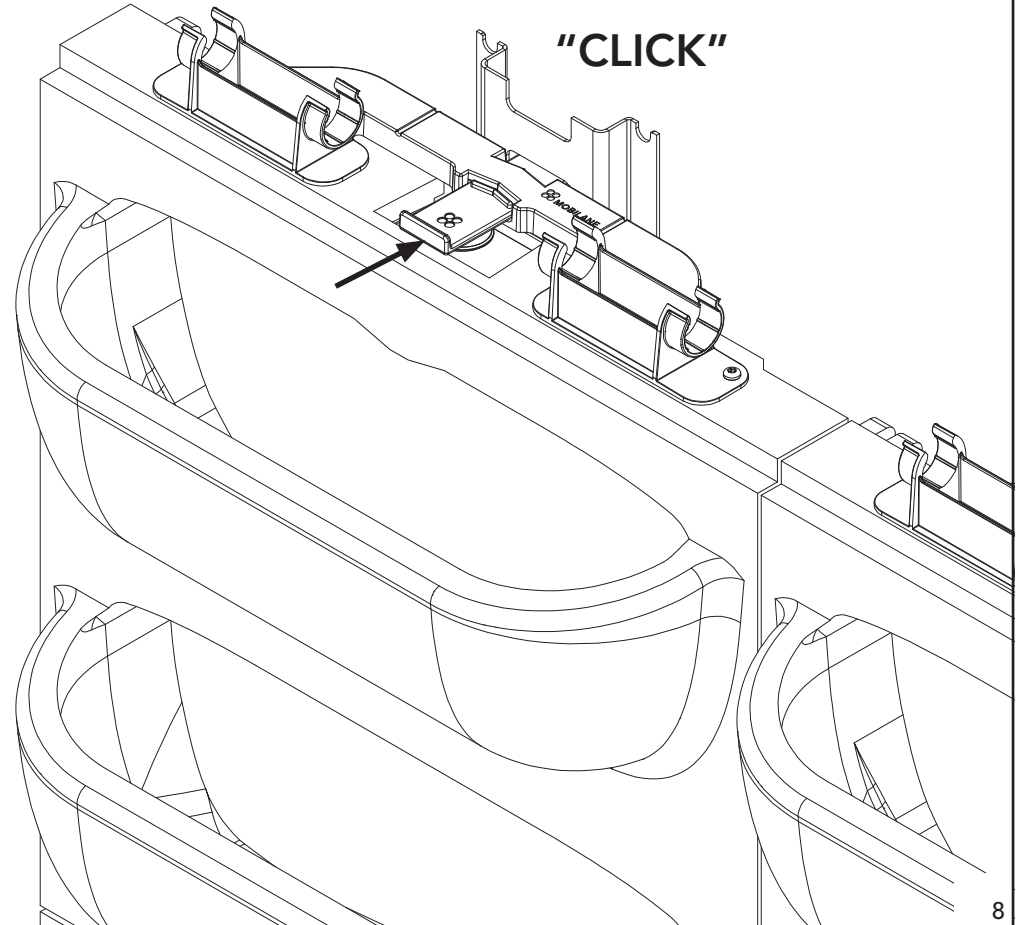
3C



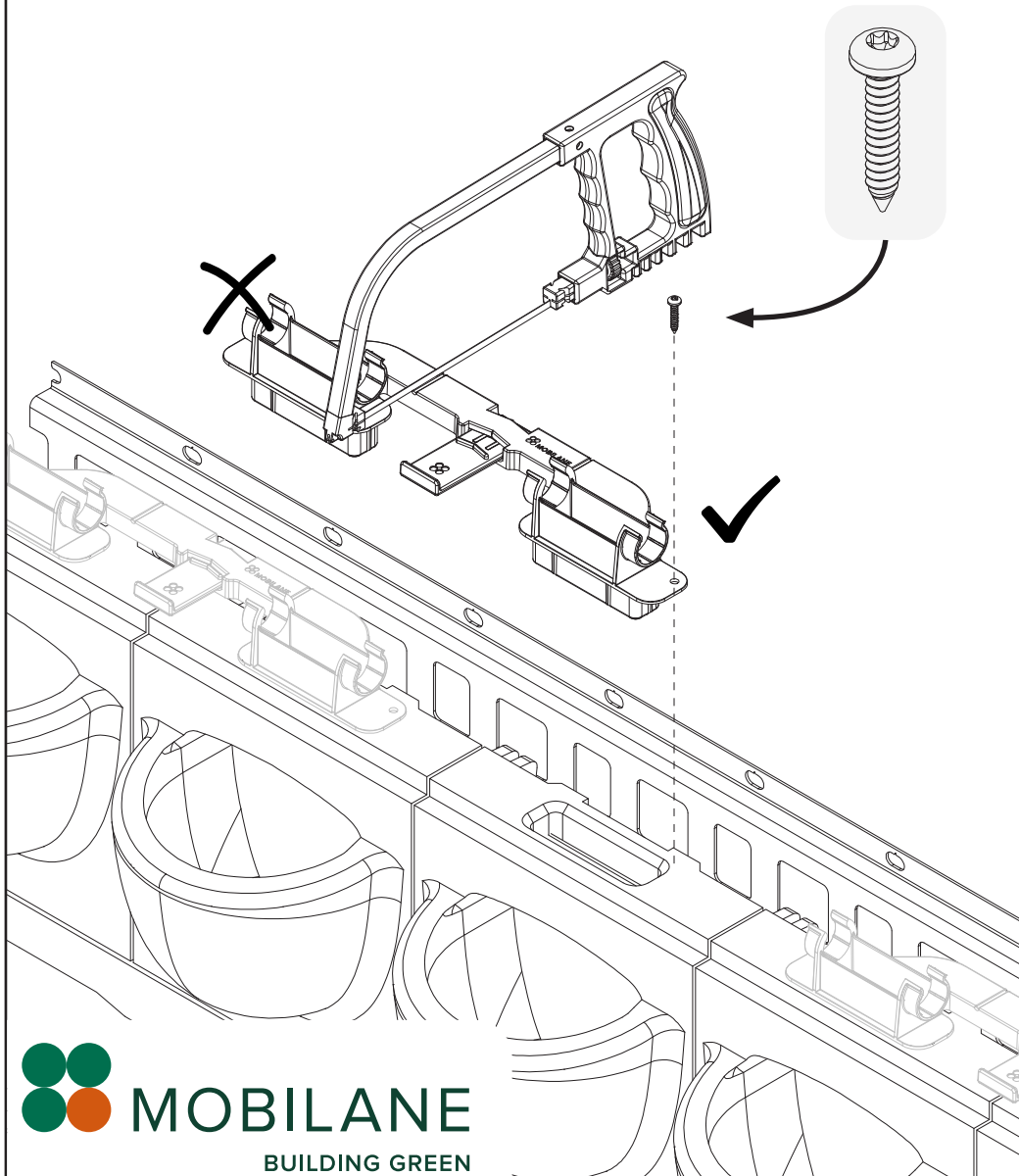
4A



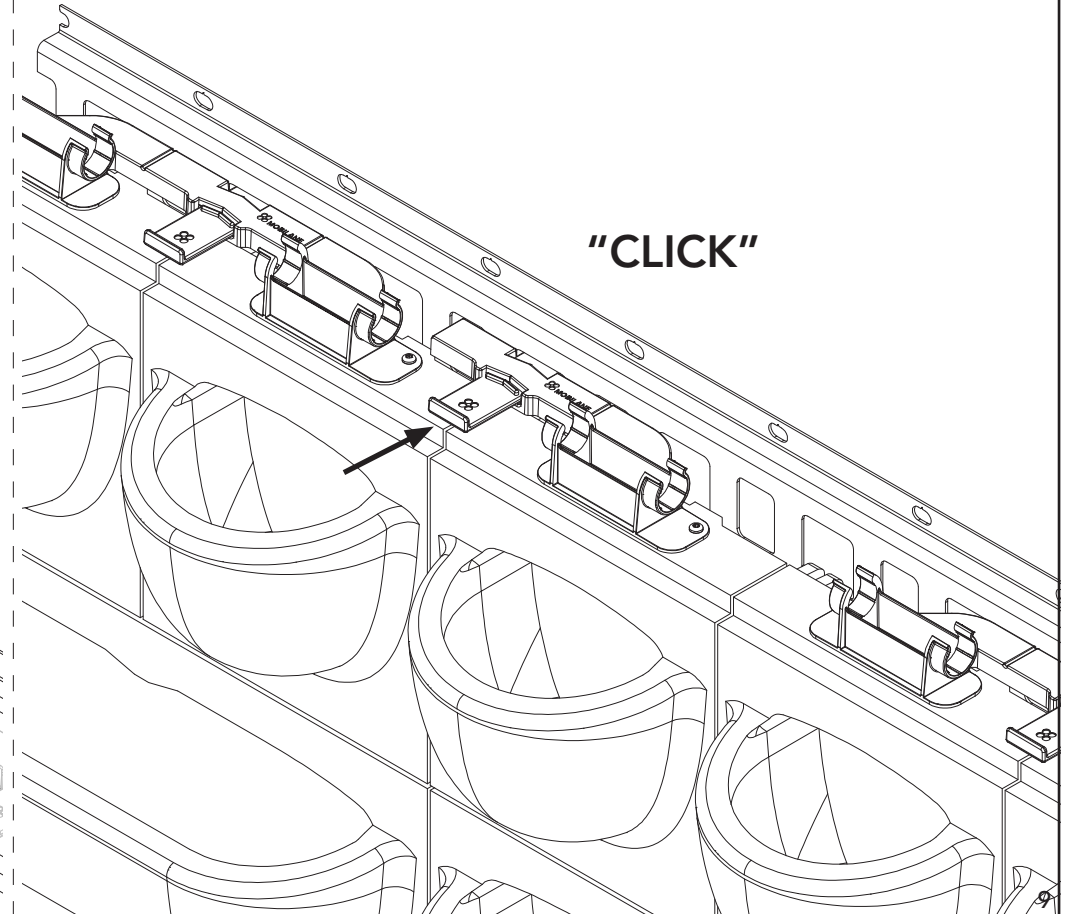
4B



4C For pixel:



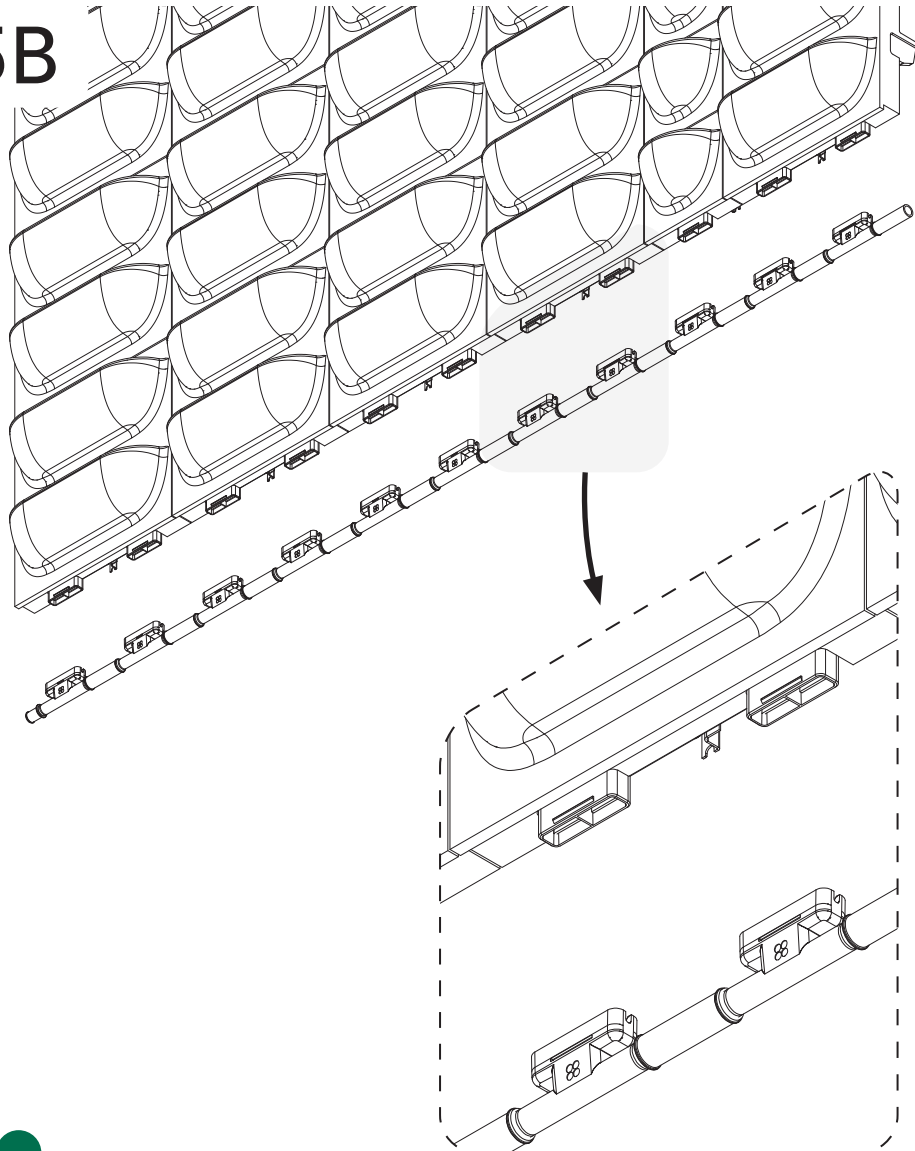
4D



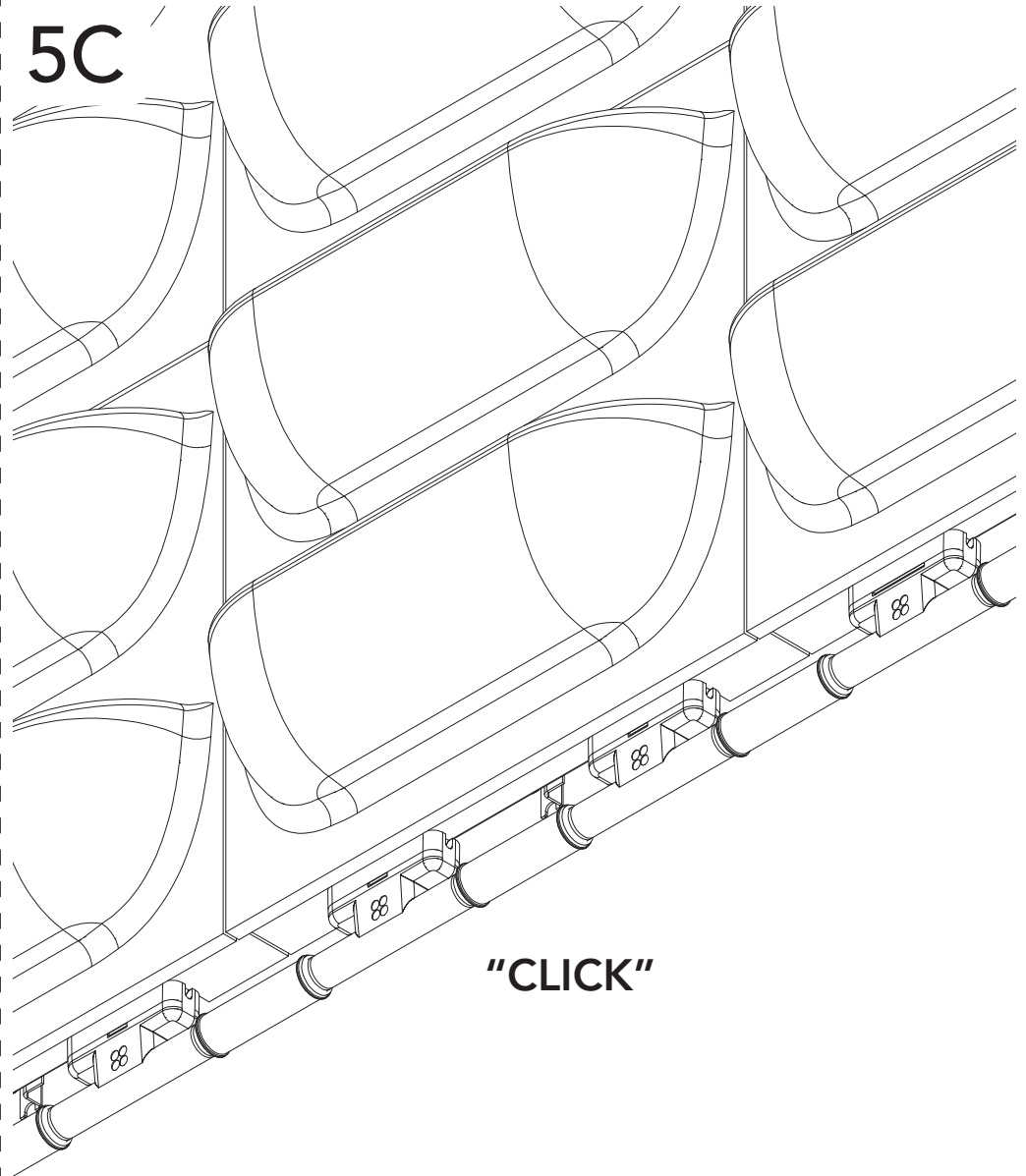
5A



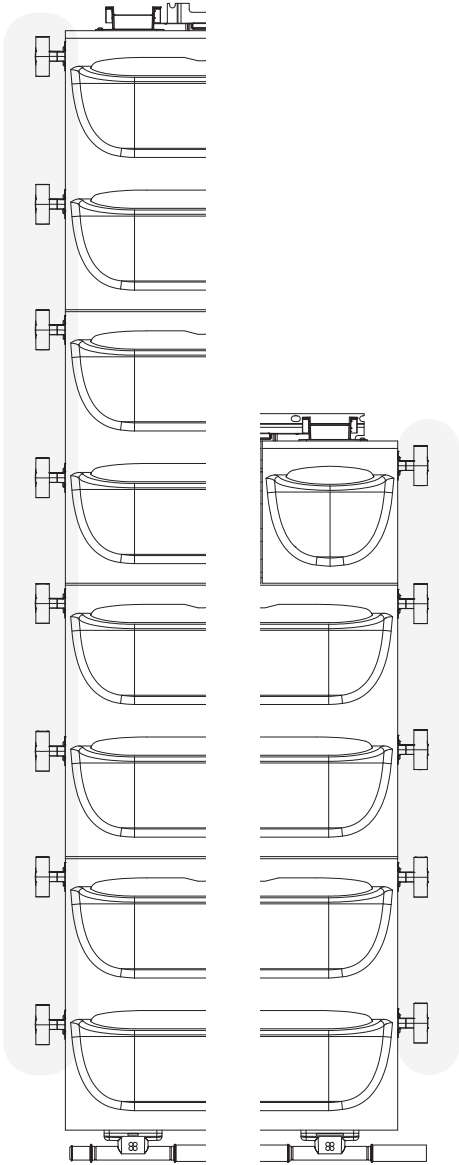
5B



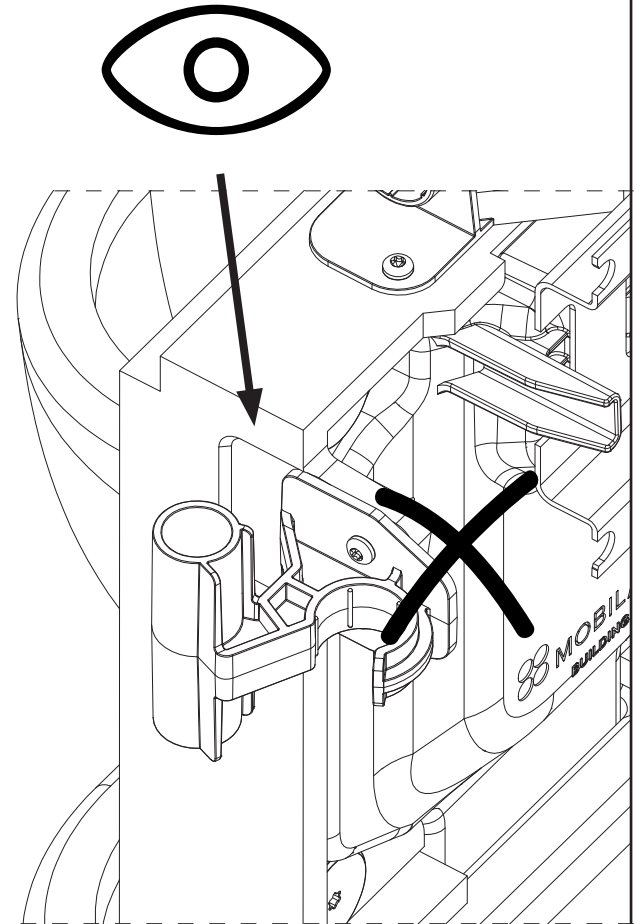
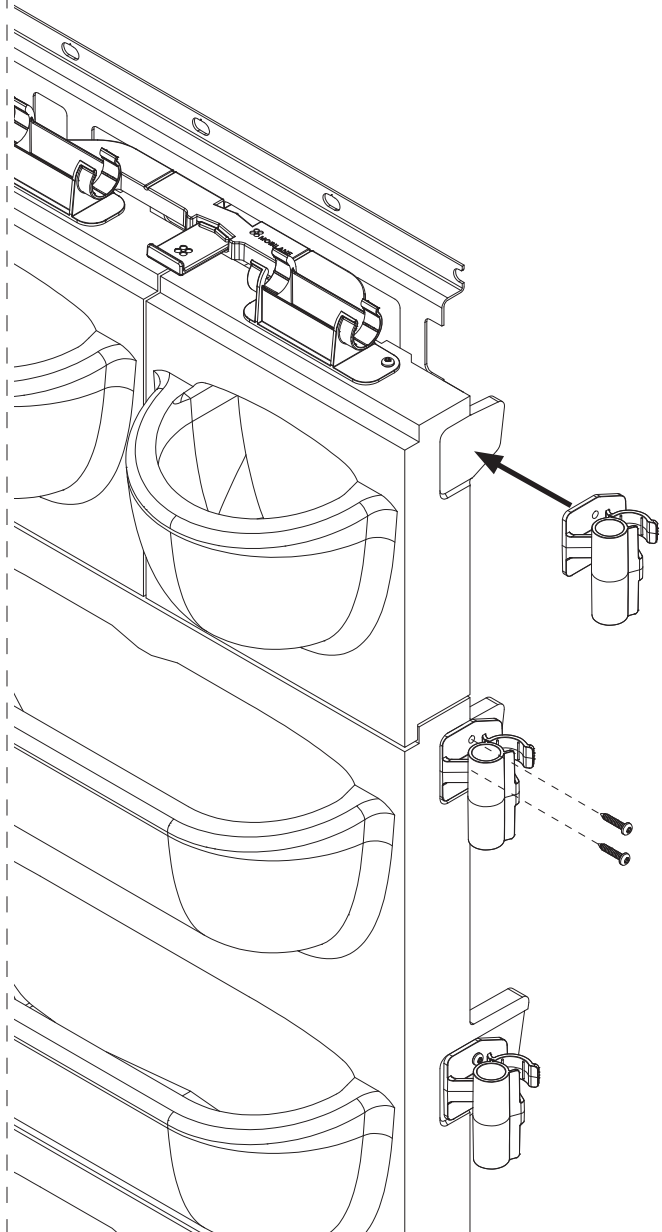
5C



6A



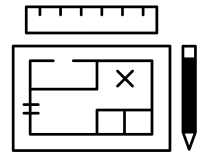
6B



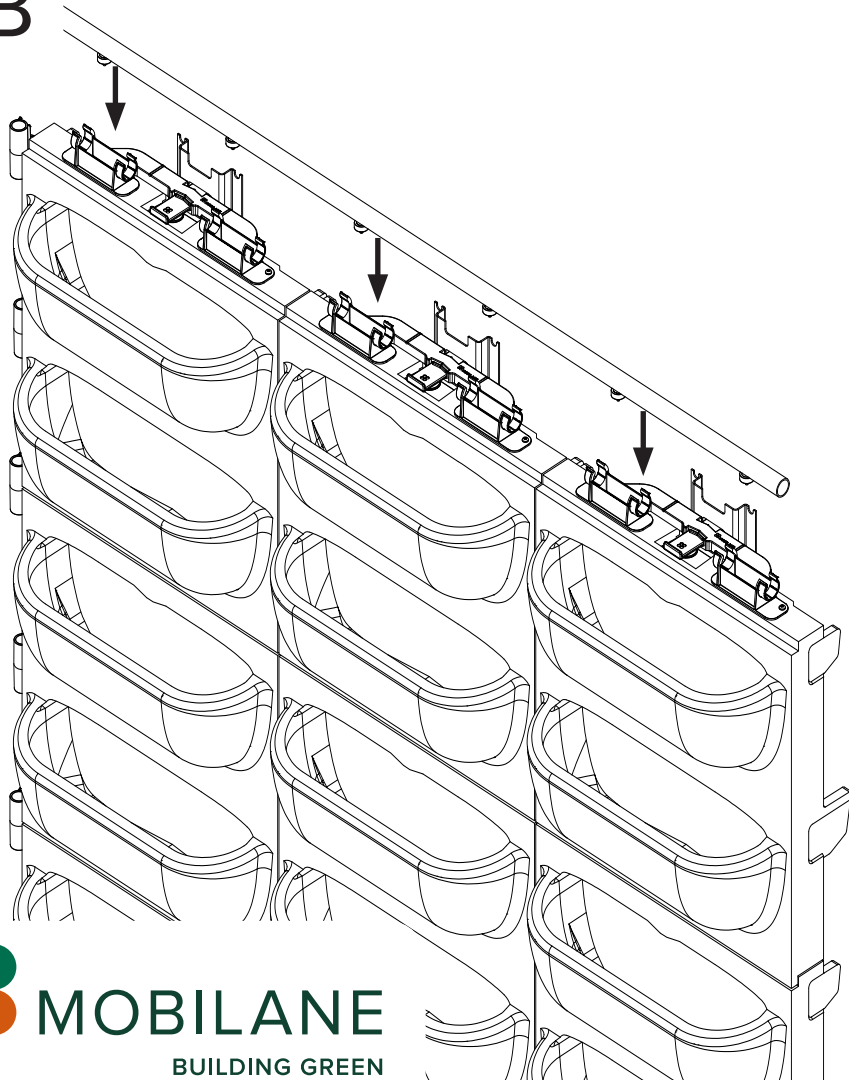
7A



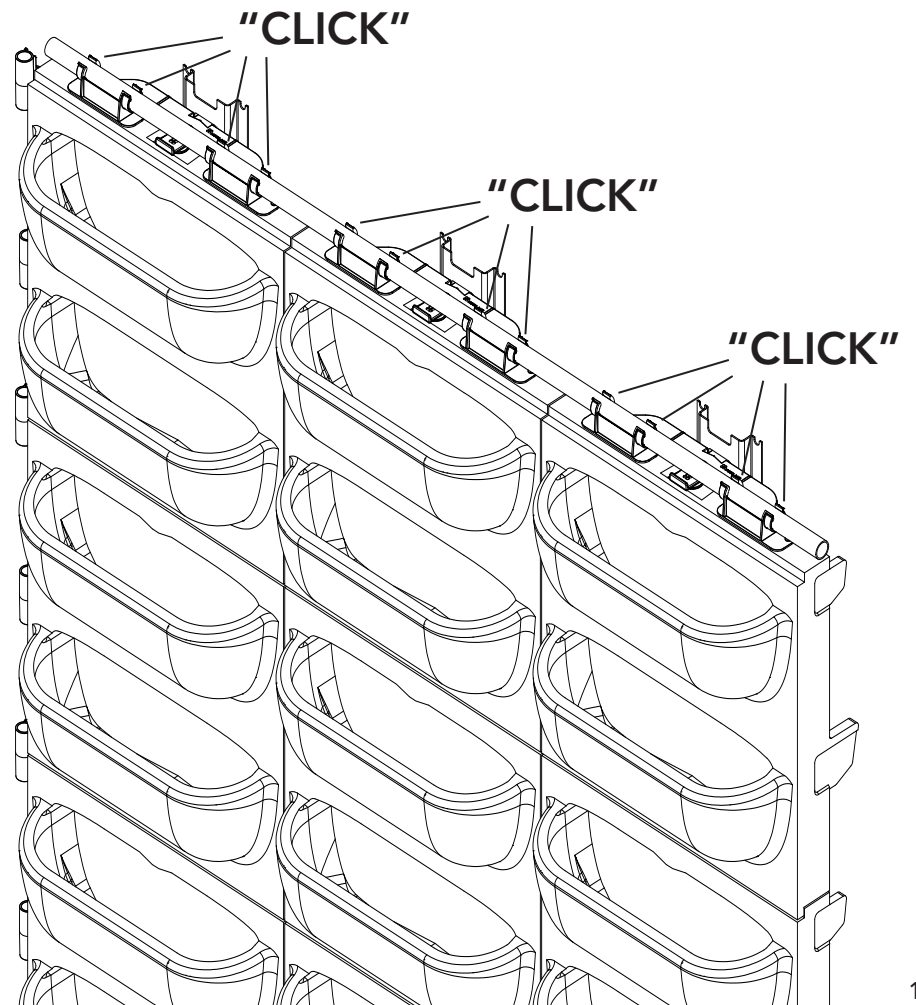
Check technical drawing for dripper type (L/h)



7B

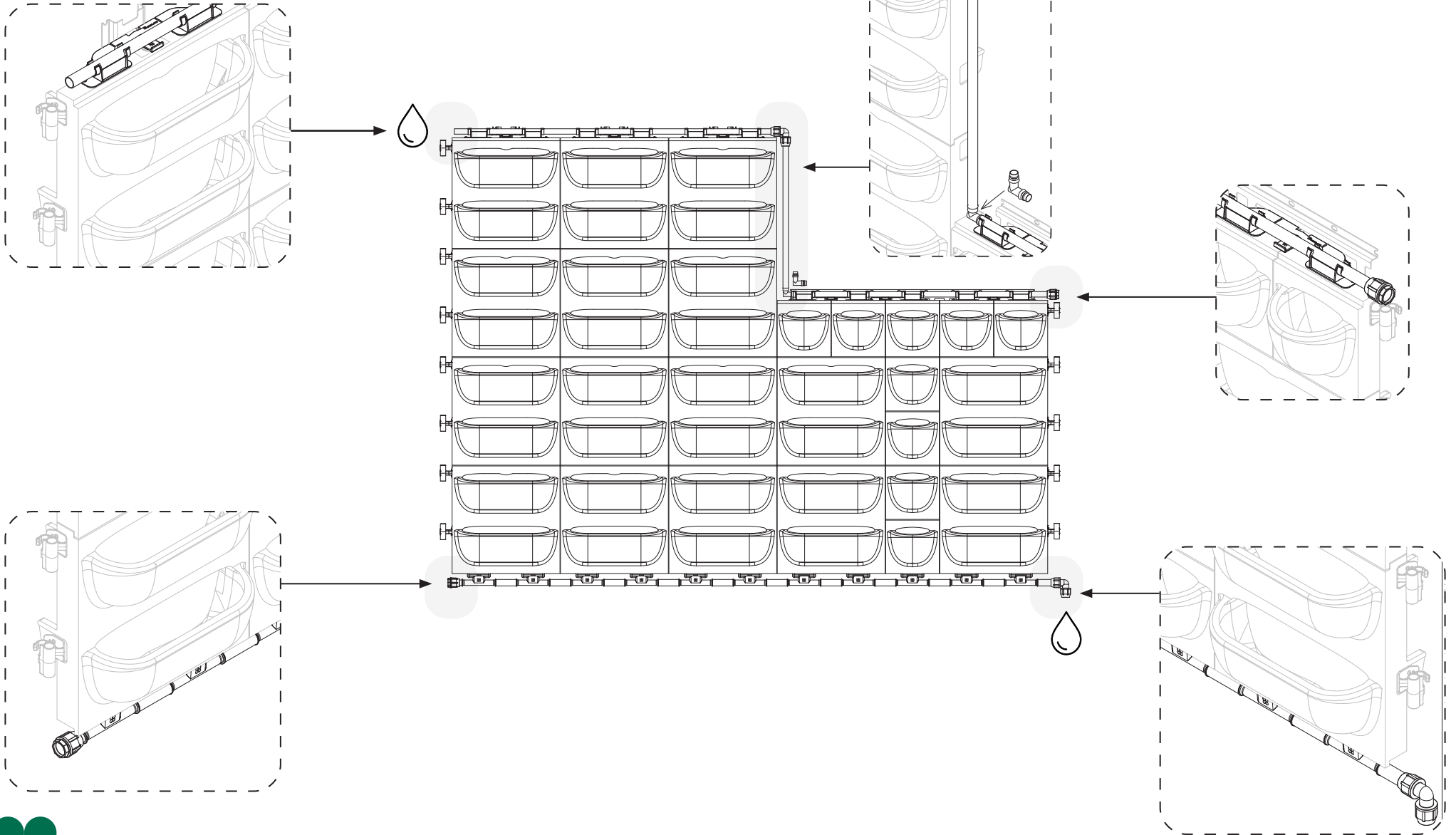


7C

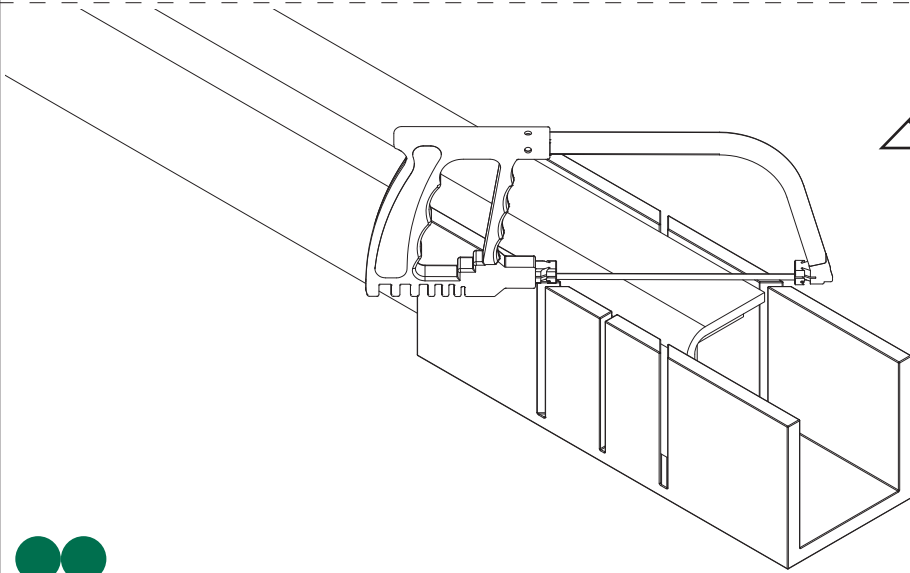
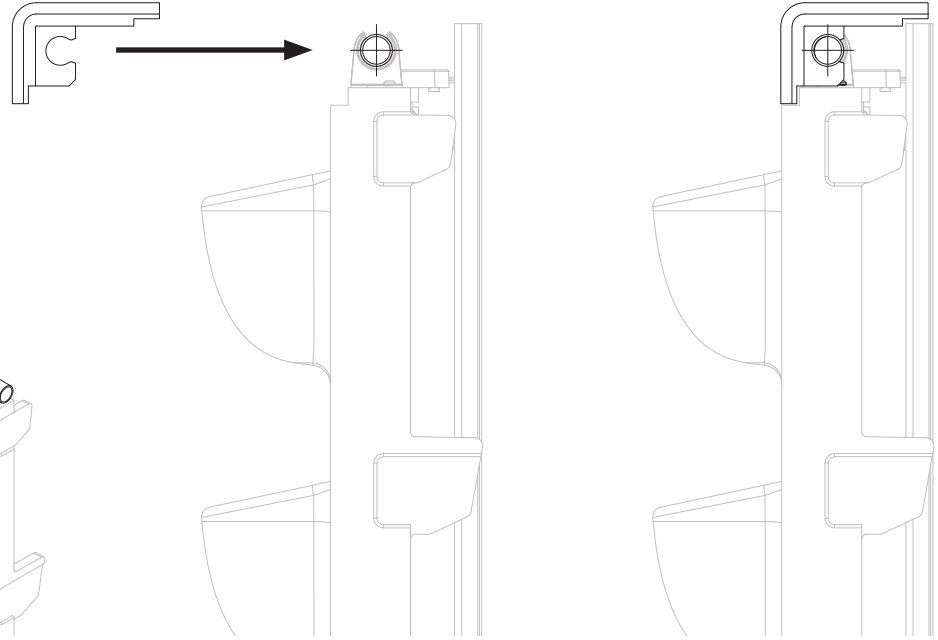
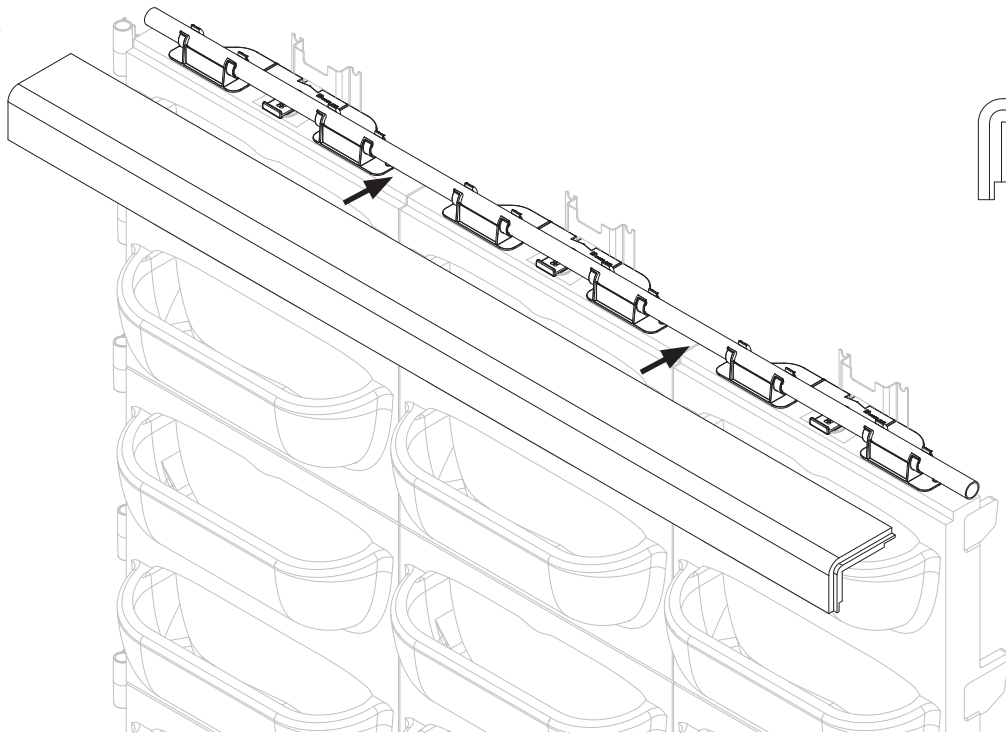


8

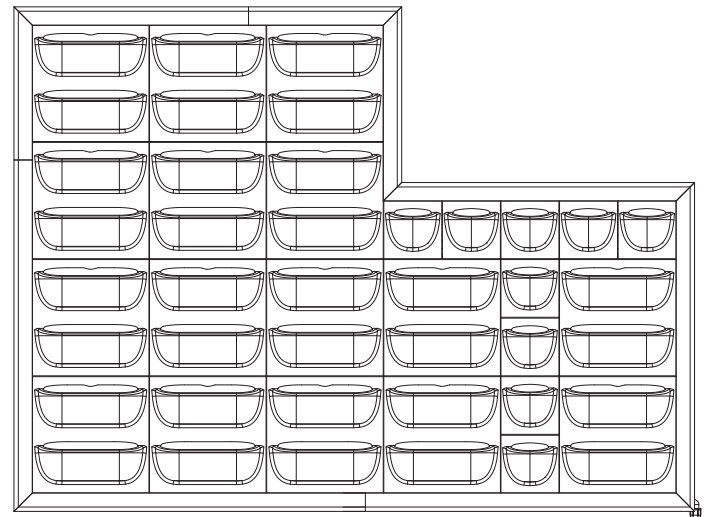
Example of irrigation connections

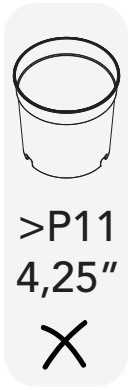


9

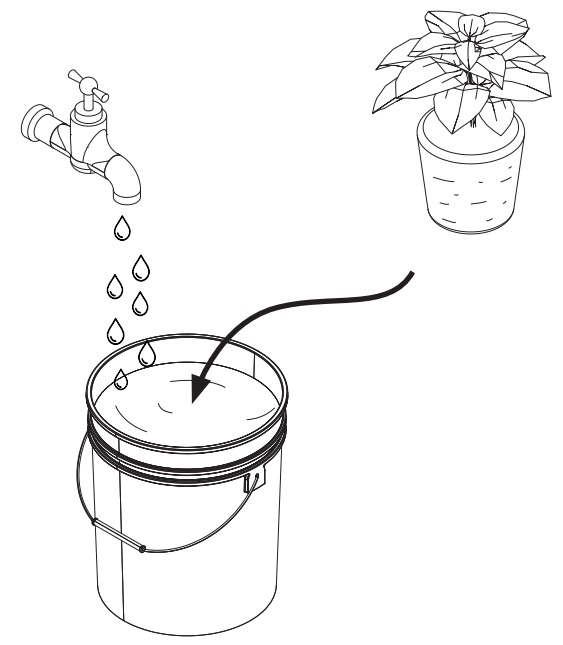


45°

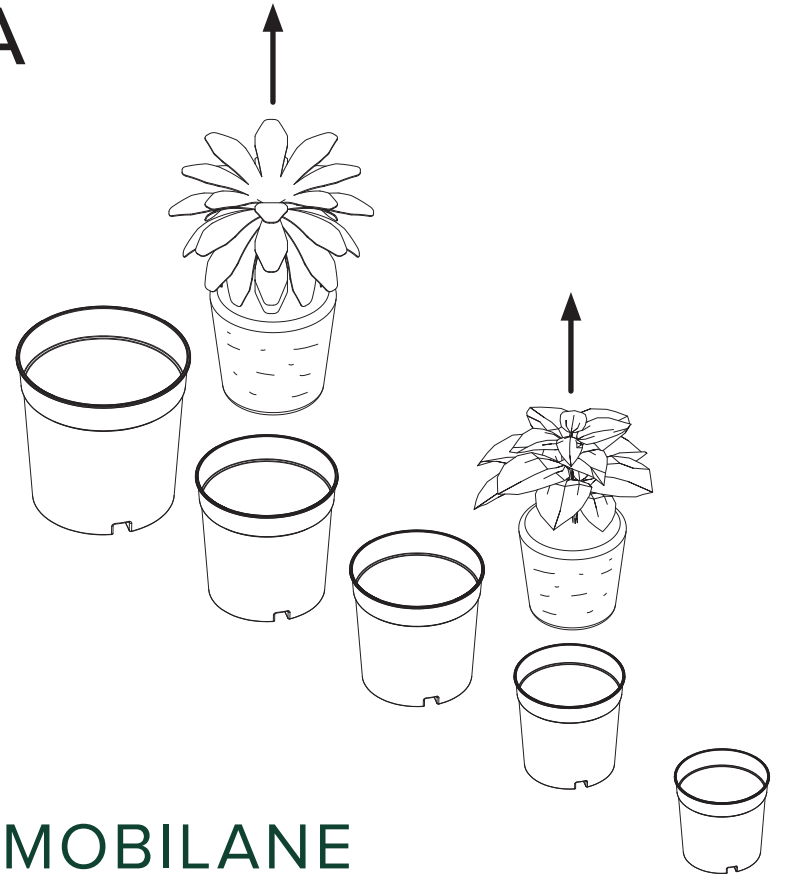




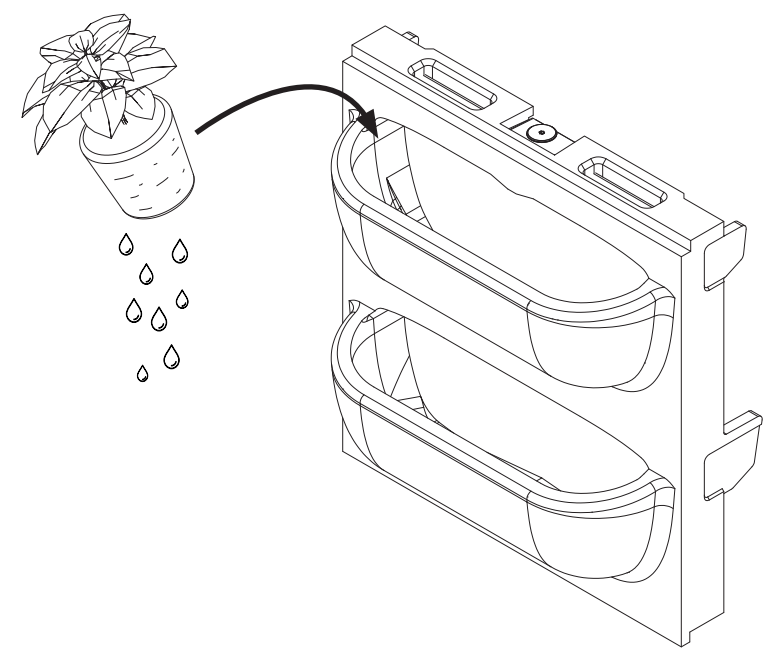
10B



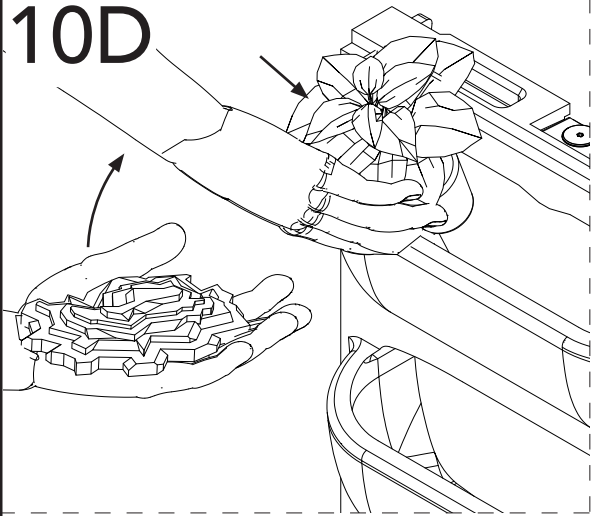
10A



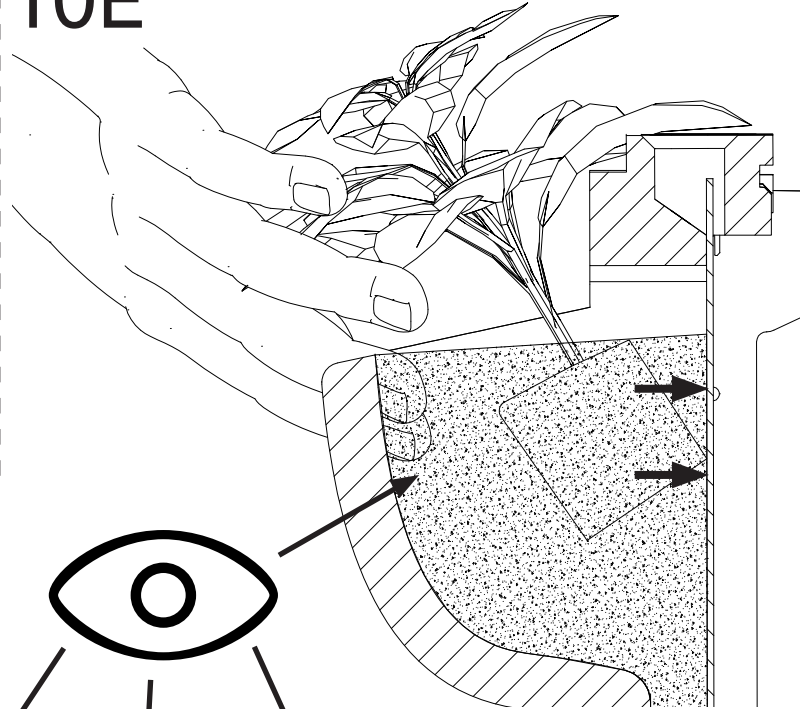
10C



10D



10E



10F

