

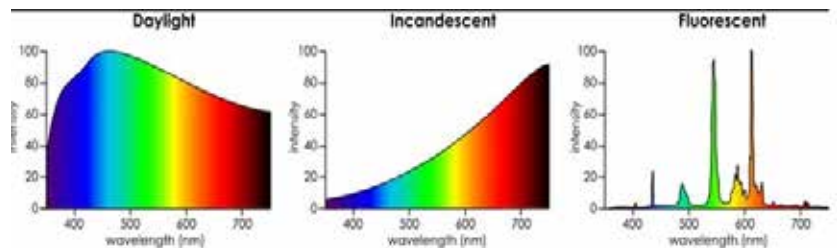


FACTS

A successful installation of LivePicture GO, LivePicture, LivePanel and LivePanel PACK is dependent on the availability of light at the location. Not all locations have sufficient light while plant growth is dependent on the so called daylight spectrum. LiveSpectrum is a series of light fittings specially developed to simulate and emulate natural daylight. These can be surface-mounted or recess-fitted.

These LED fixtures have full spectrum colour rendering and are available in various light intensities. The LiveSpectrum luminaires (lighting units) are suitable for mounting on or fixing into ceilings and are equipped with energy-saving long-life LEDs. The LED lights are also dimmable to allow the user to select suitable brightness levels for all LivePicture and LivePanel products.

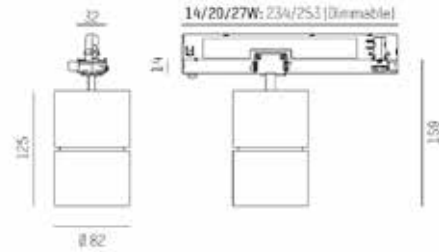
- Plants need full-spectrum light
- 1000 – 2000 lux
- 10 hours per day
- It may be necessary to make a lighting calculation



LIVESPECTRUM MOBILIGHT FEATURES

- Bulb colours available from warm to natural white; 2700k, 3000k, 3500k and 4000k
- Excellent replication of natural light temperatures
- Adjustable luminaire with a 3-phase track (surface-mounted)
- 350° horizontally rotatable and vertically 90° adjustable (surface-mounted)
- Easy to attach to ceiling systems (surface-mounted)
- Can be suspended with suspension fitting (surface-mounted)
- Lens and reflector options available to group or spread the light beam
- Luminaires available in white, silver grey and black
- Luminaires can be dimmed





MobiLight Track

Power 14-27W
Lumen Output 1500-2770lm
Colour Fastness CRI90+

Light Beams



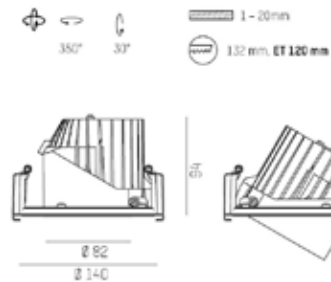
Controls



Finished



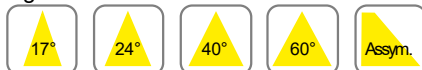
Bulb Colours



MobiLight R

Power 12-35W
Lumen Output 1500-4100lm
Colour Fastness CRI90+

Light Beams

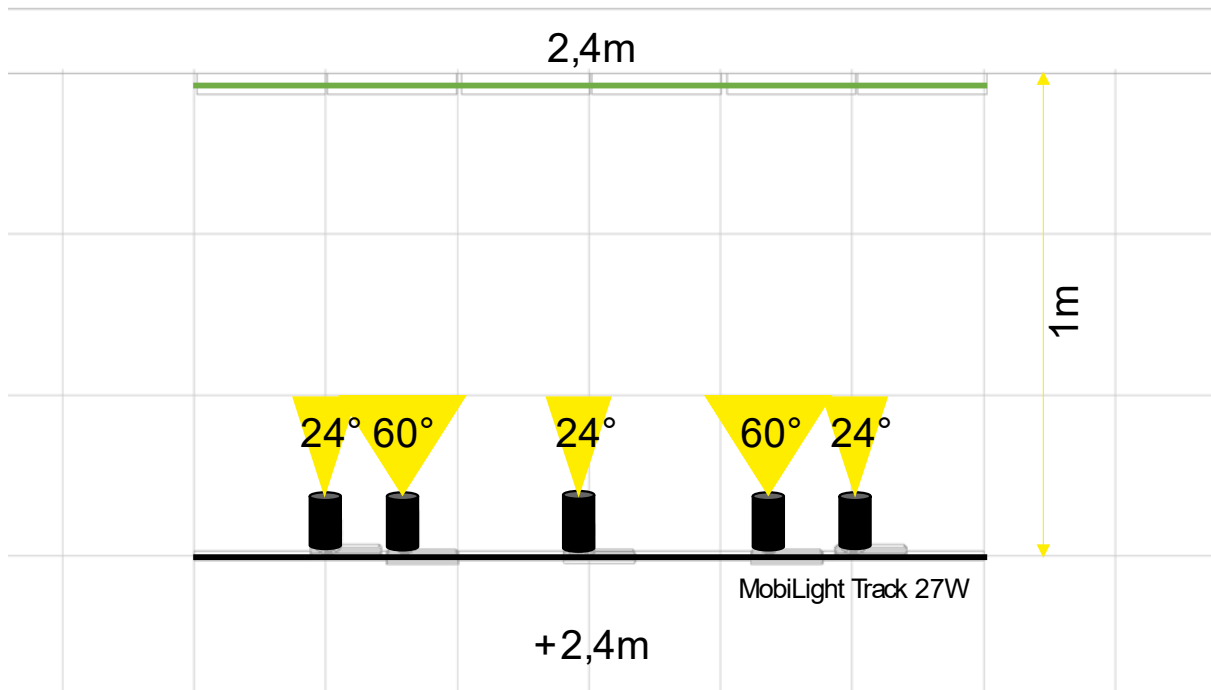
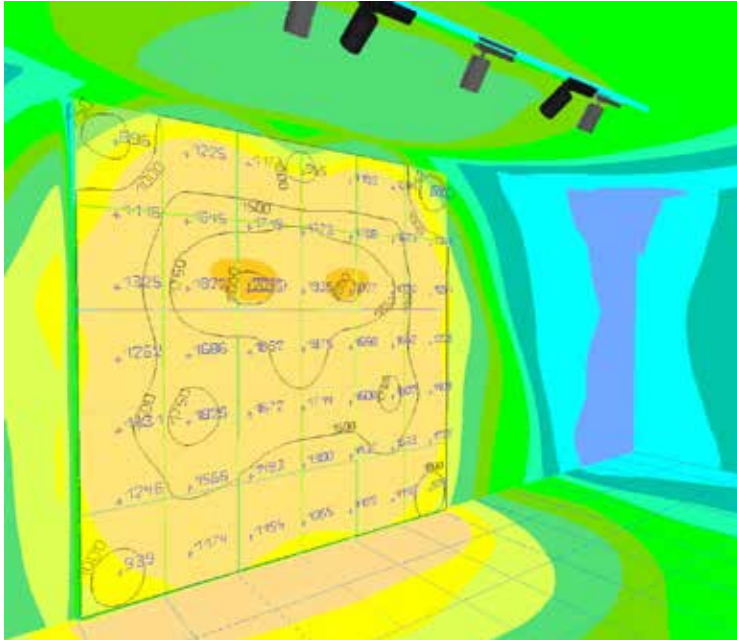


Finishes

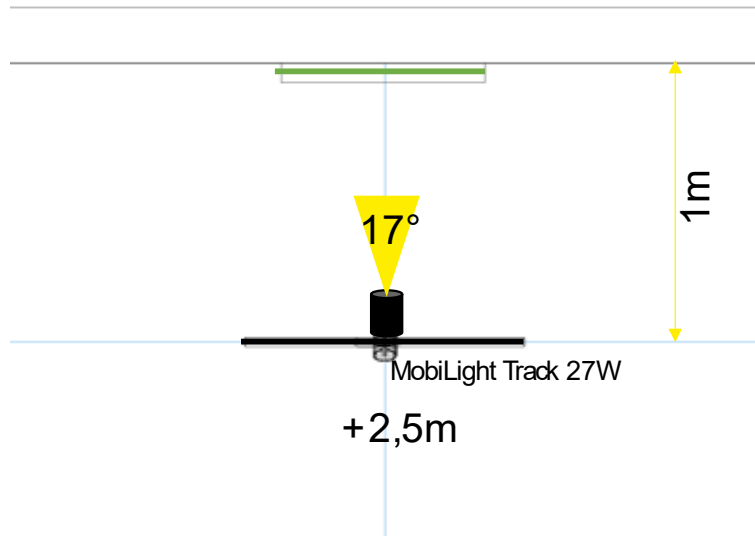
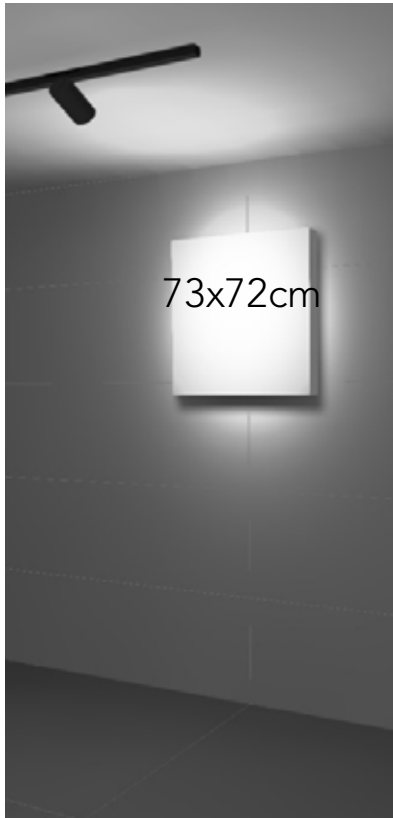


Bulb Colours

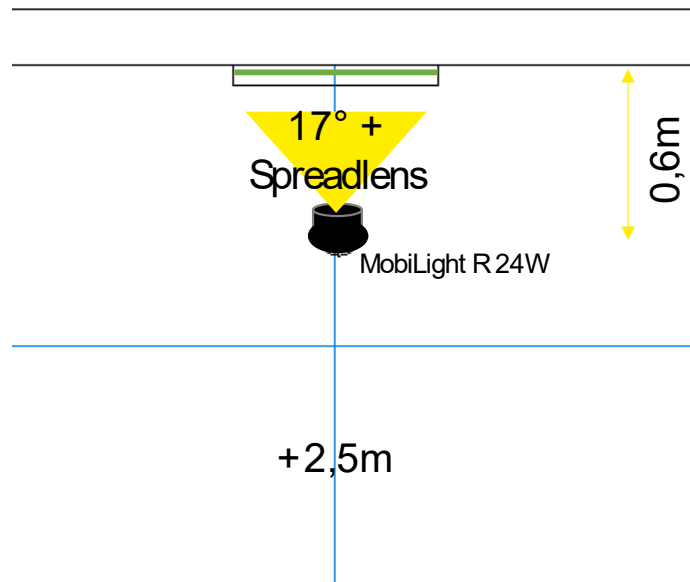
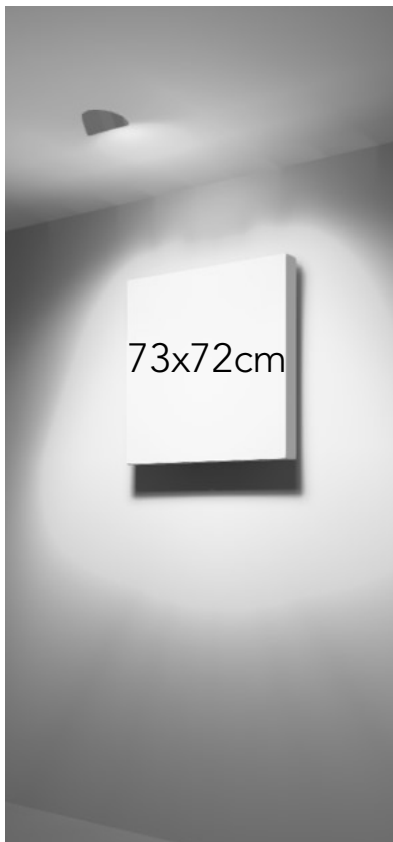




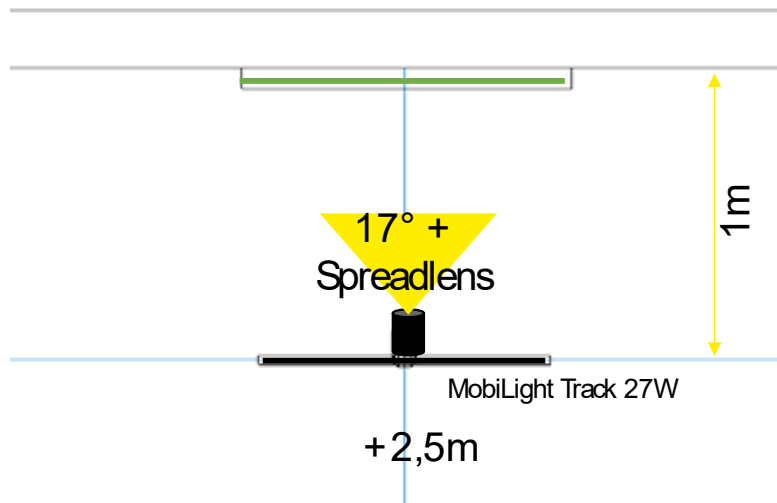
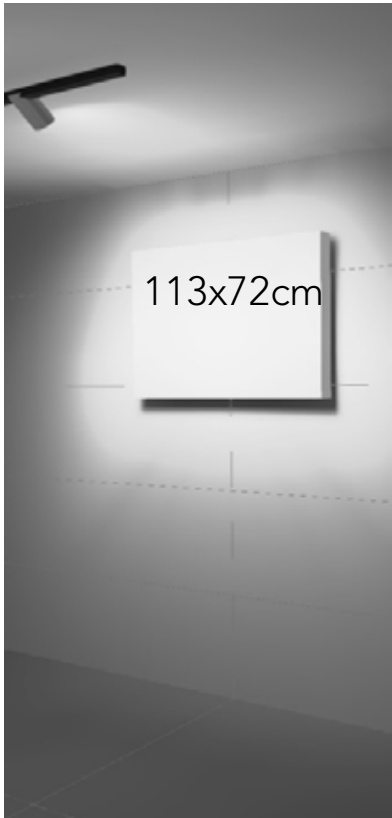
LivePanel Indoor



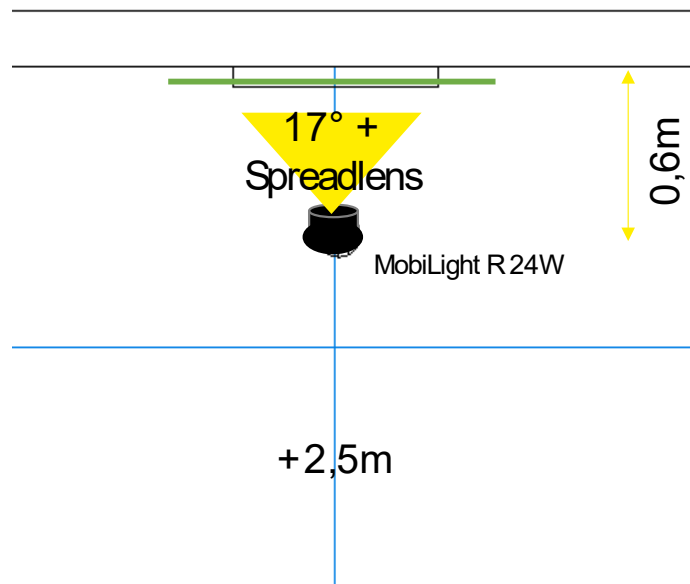
Requirements		Quantity
3-Phase Track white black grey	1m	1
Starter white black grey		1
End Cap white black grey		1
Nounting Block white black grey		2
MobiLight Track 27W	On/Off	1



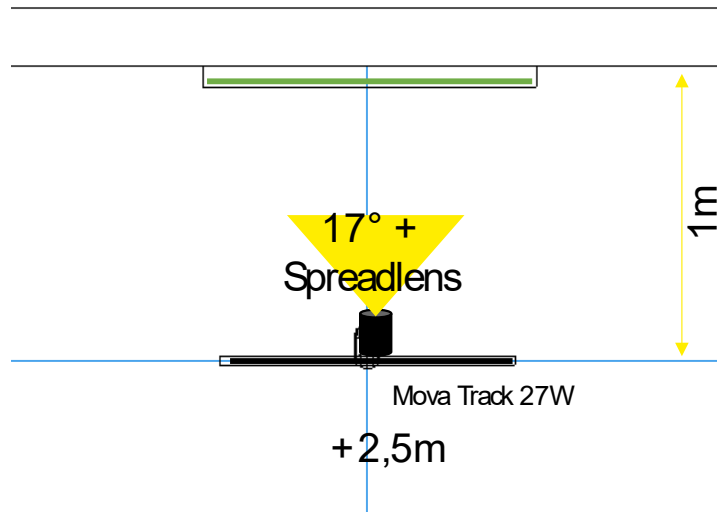
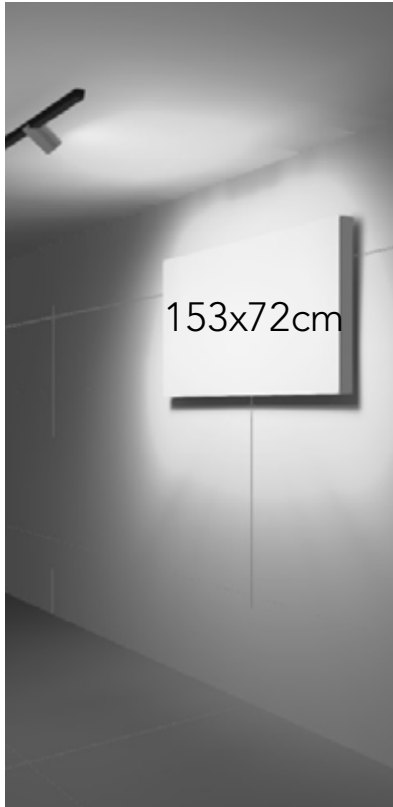
Requirements		Quantity
MobiLight R24W	Excl. driver	1
Spread Lens		1
Driver	On/off	1



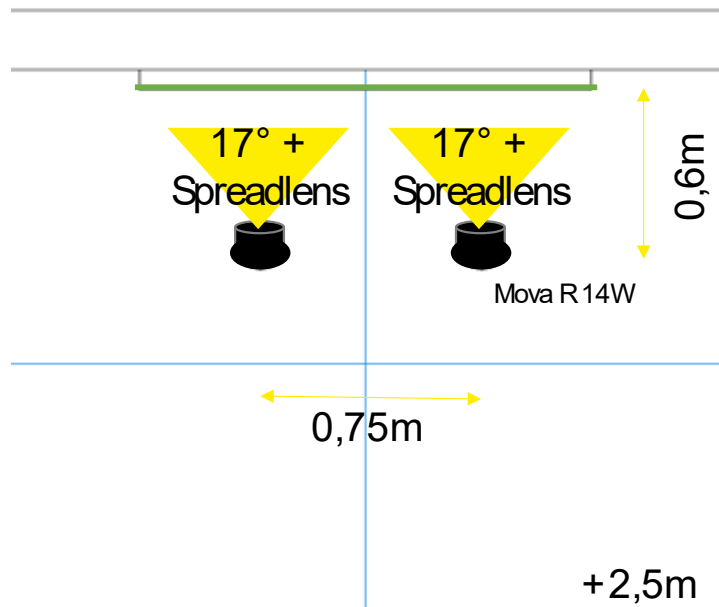
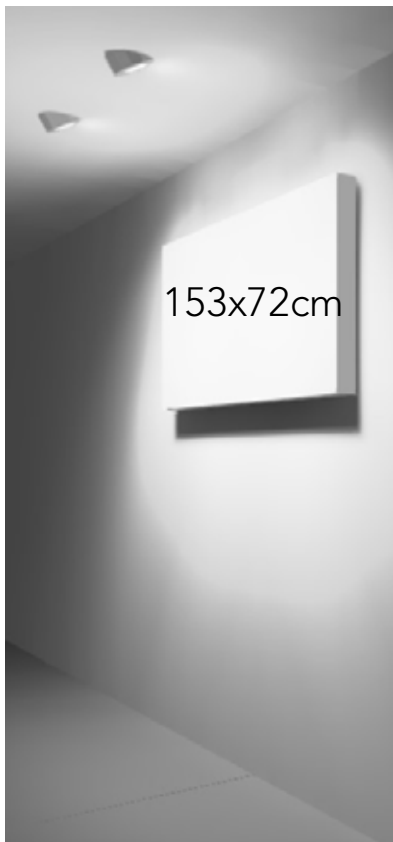
Requirements		Quantity
3-Phase Track white black grey	1m	1
Starter white black grey		1
End Cap white black grey		1
Nounting Block white black grey		2
MobiLight Track 27W	On/Off	1
Spread Lens		1



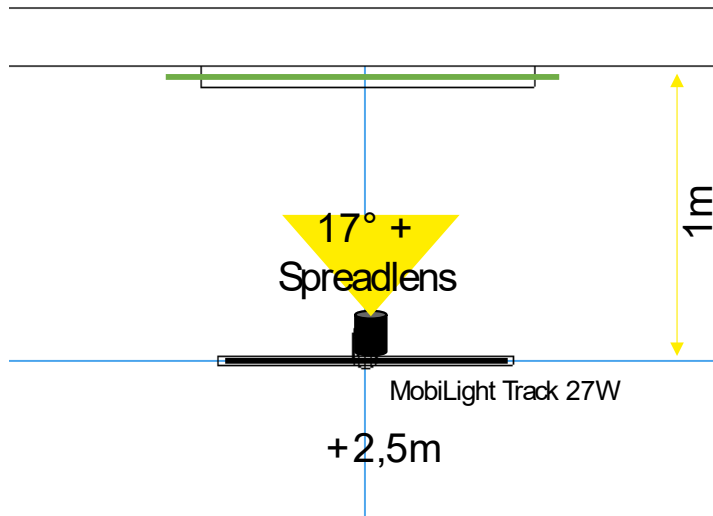
Requirements		Quantity
MobiLight R 24W	Excl. driver	1
Lens Spread		1
Driver	On/off	1



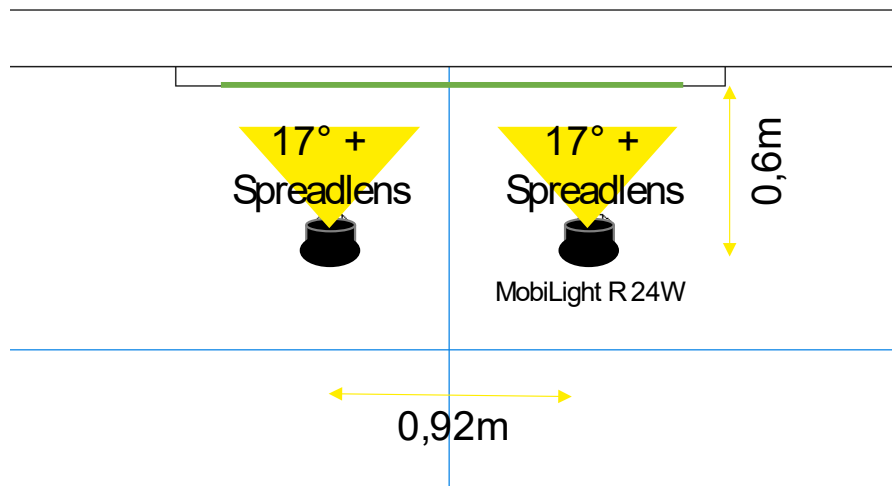
Requirements		Quantity
3-Phase Track white black grey	1m	1
Starter white black grey		1
End Cap white black grey		1
Nounting Block white black grey		2
MobiLight Track 27W	On/Off	1
Spread Lens		1



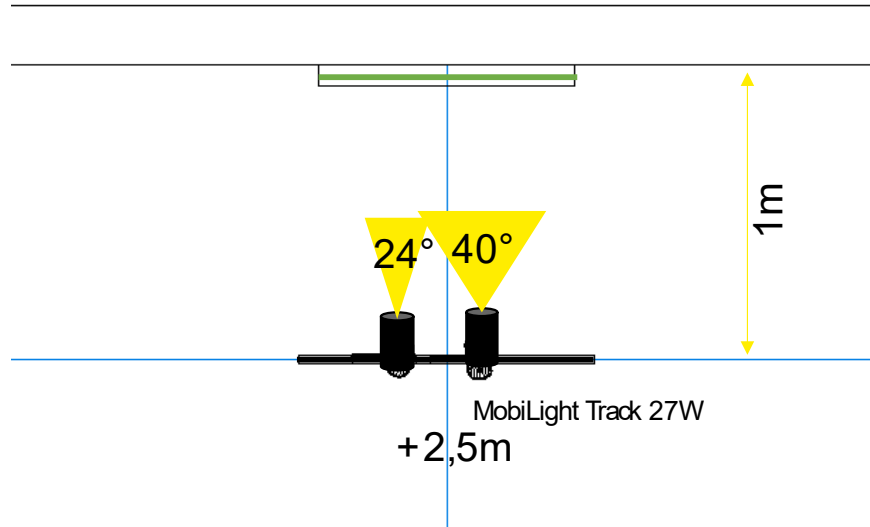
Requirements		Quantity
MobiLight R 14W	Excl. driver	2
Lens Spread		2
Driver	On/off	2



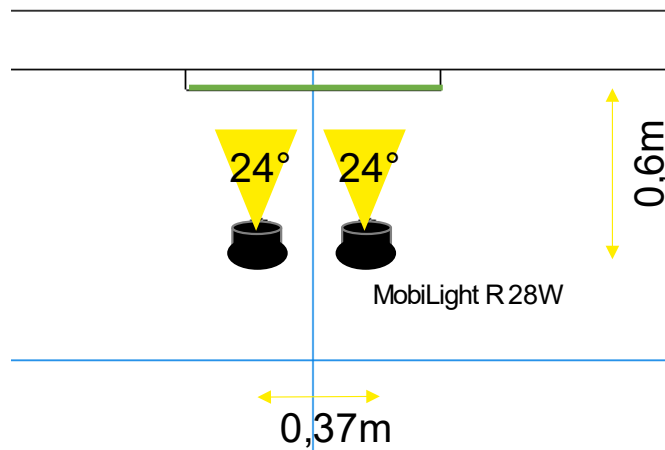
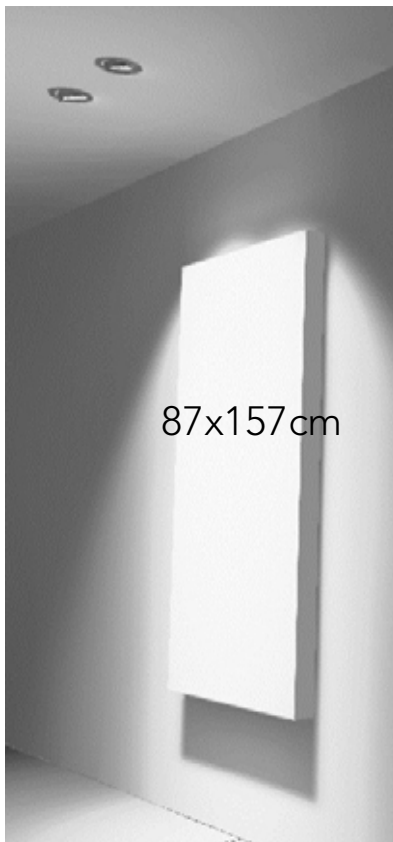
Requirements		Quantity
3-Phase Track white black grey	1m	1
Starter white black grey		1
End Cap white black grey		1
Nounting Block white black grey		2
MobiLight Track 27W	On/Off	1
Spread Lens		1



Requirements		Quantity
MobiLight R 24W	Excl. driver	2
Lens Spread		2
Driver	On/off	2



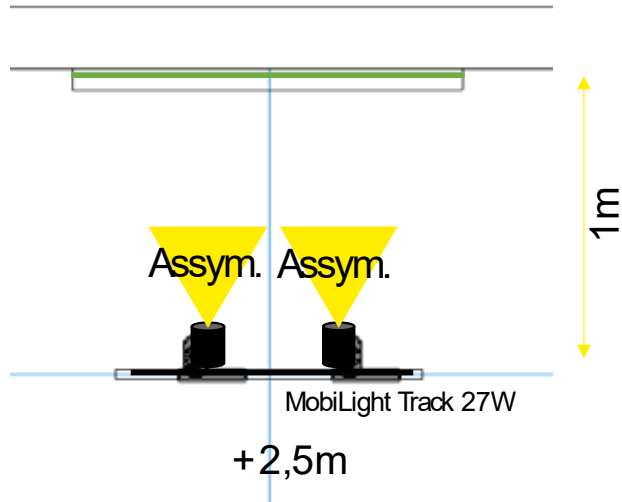
Requirements		Quantity
3-Phase Track white black grey	1m	1
Starter white black grey		1
End Cap white black grey		1
Nounting Block white black grey		2
MobiLight Track 27W24°	On/Off	1
MobiLight Track 27W40°	On/Off	1



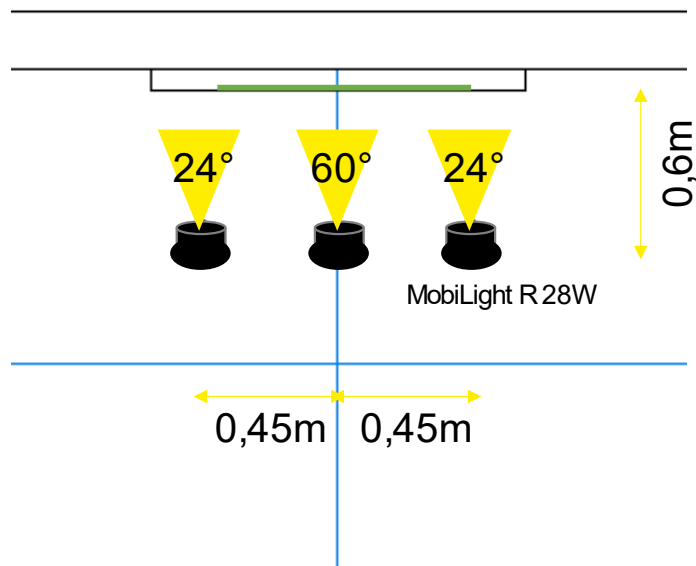
Requirements		Quantity
MobiLight R 28W24°	Exd. driver	2
Driver	On/off	2

LivePanel PACK 2 x 3



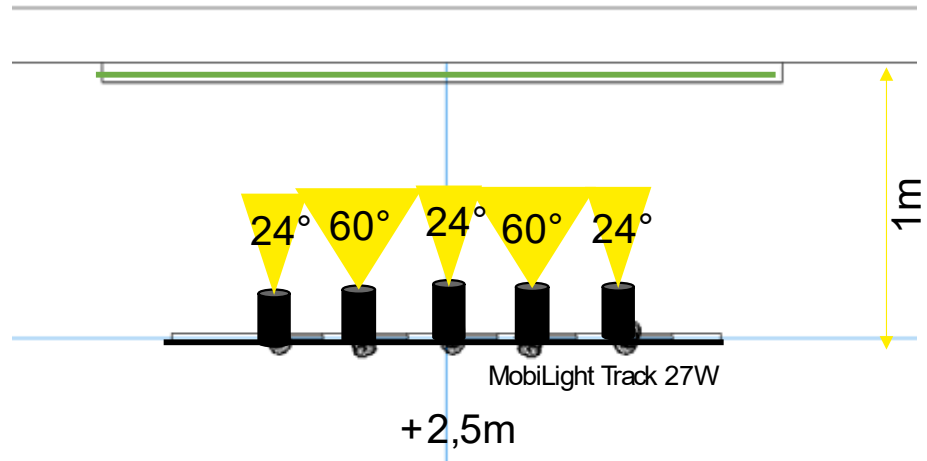


Requirements		Quantity
3-Phase Track white black grey	1m	1
Starter white black grey		1
End Cap white black grey		1
Nounting Blockwhite black grey		2
MobiLight Track 27W assym	On/Off	1

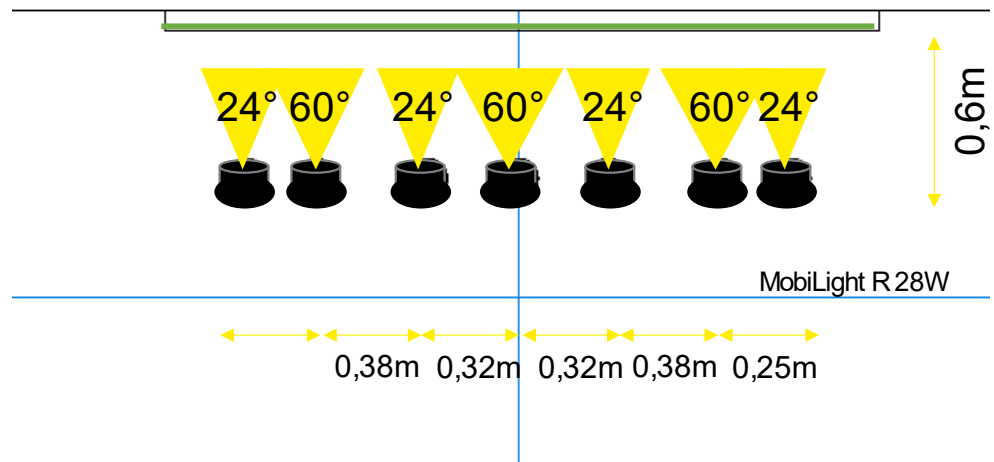


Requirements		Quantity
MobiLight R28W24°	Excl. driver	2
MobiLightR28W60°	Excl. driver	1
Driver	On/off	3

LivePanel PACK 3 x 2



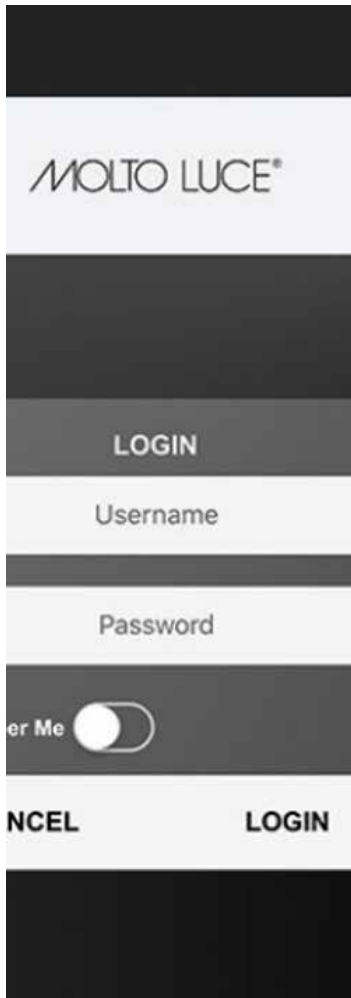
Requirements		Quantity
3-Phase Track white black grey	1m	1
Starter white black grey		1
End Cap white black grey		1
Nounting Block white black grey		3
MobiLight Track 27W24°	On/Off	3
MobiLight Track 27W60°	On/Off	2



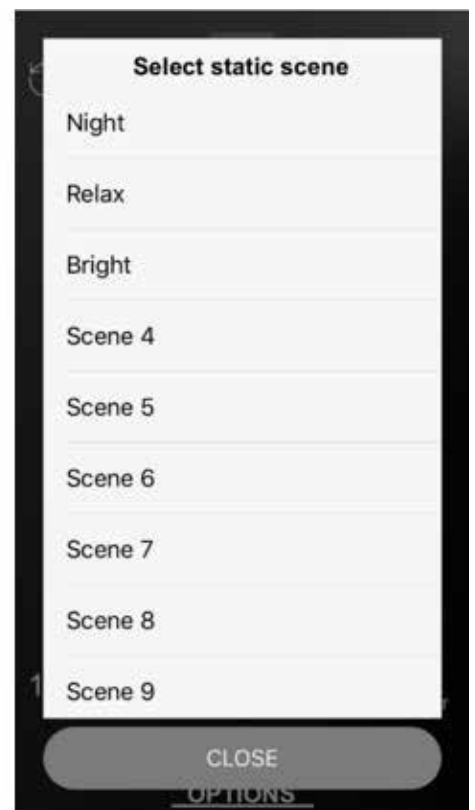
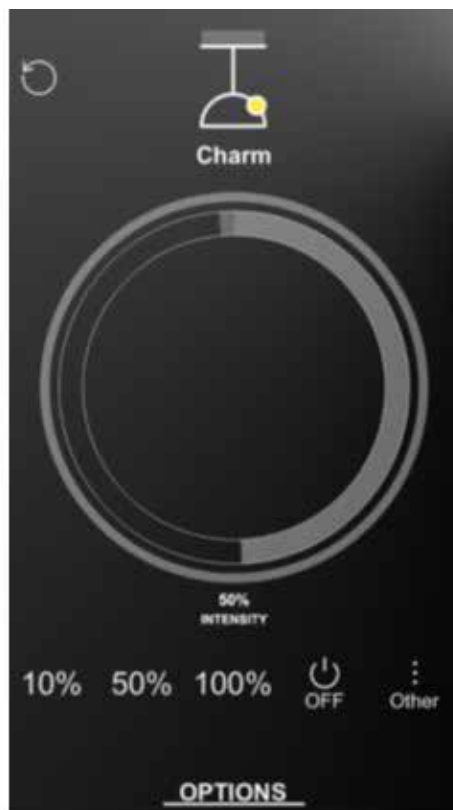
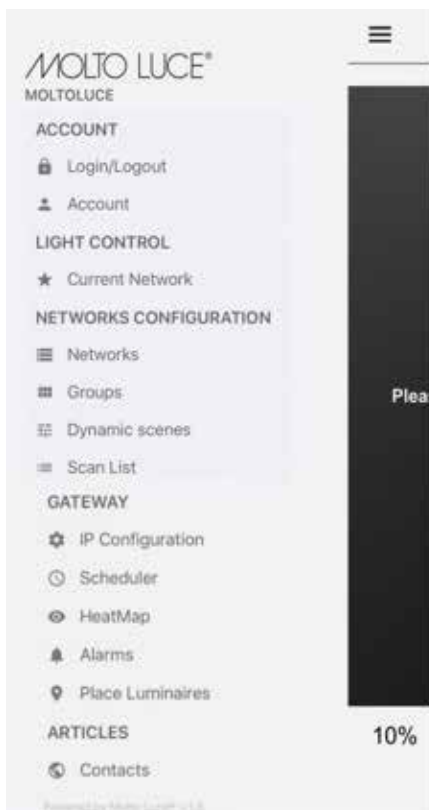
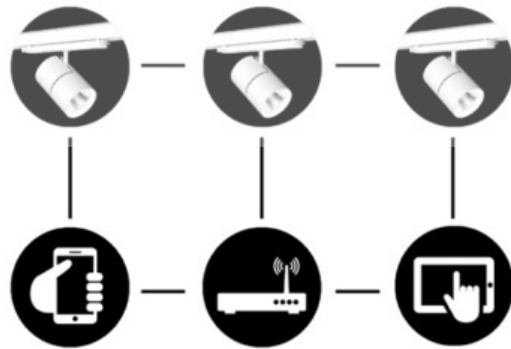
Requirements		Quantity
MobiLight R28W24°	Excl. driver	4
MobiLight R28W60°	Excl. driver	3
Driver	On/off	7

LivePanel PACK 6 x 4





Use the Molto Luce Smart APP to control the lighting system. Whether a single luminaire, group or the entire network, the app allows you to programme timing schedules to suit.





Your Mobilane Checklist

Project Name

Location

Mobilane Account Manager Expected delivery date

Living Wall Dimensions (Length x Height)

Ceiling Type (e.g. Concrete | Wood | Suspended Ceiling)

Ceiling Height (in cm)

230vac present? (Indicate location in Site Sketch)

Site Sketch:

Type of luminaire (Recessed/Track)

Luminaire finish (White | Black | Grey)

Bulb colour (2700 | 3000 | 3500 | 4000K)

Control (On/Off | DALI | Bluetooth)

Other information:

Amount of Lux (standard 1000lx)

Room function: (Meeting room, Entrance etc.)

Choose your lighting options

Recessed or Track

Degree Bundle

Finish (White/black/grey)

Control (On-Off/DALI/Bluetooth)

Power W_(attage)

Accessory(s) (Spread Lens/Honeycomb)

Light colour K_(elvin)

Quantities

Choose your track options

Length of Track cm

Finish (White/black/grey)

Ceiling Mounted or suspended

Site Sketch:

Light Beam Spread



Bulb colours



Finished



Controls

