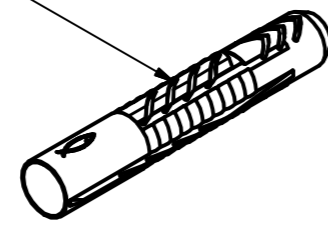


LivePanel® Pack 6x4

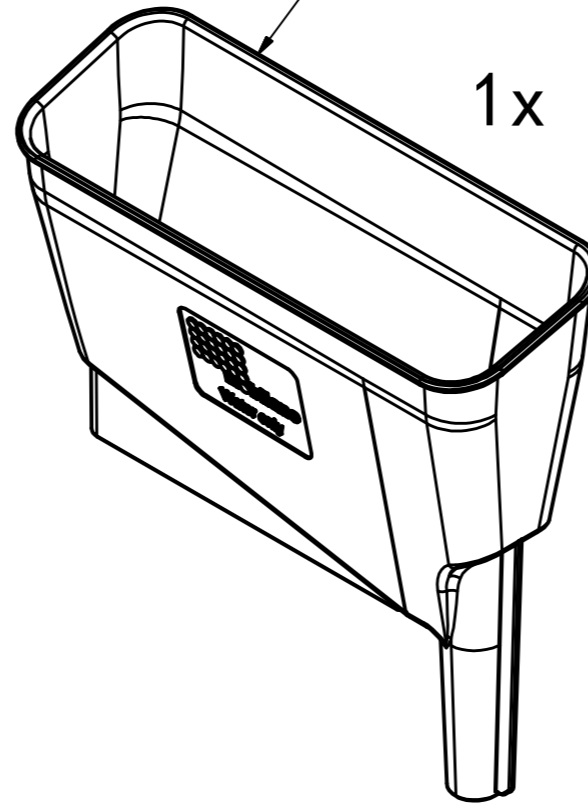
14-0122-99-06
fischer UX 8x50

35x



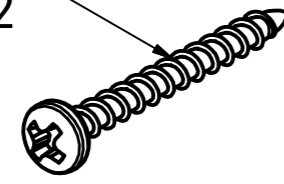
15-0089-00-01
Funnel

1x



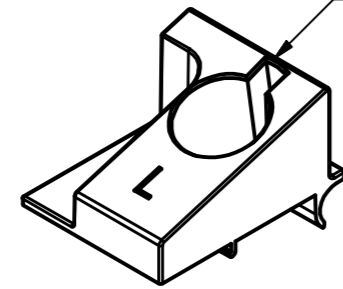
14-0122-99-07
fischer 5,0x60 CK RVS A2

35x



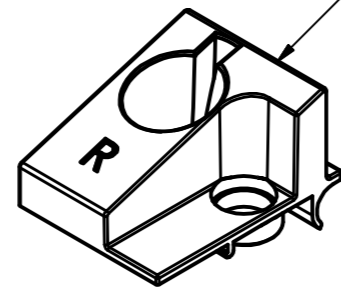
16-0151-01-01
Funnel Block Left

4x



16-0151-01-02
Funnel Block Right

4x



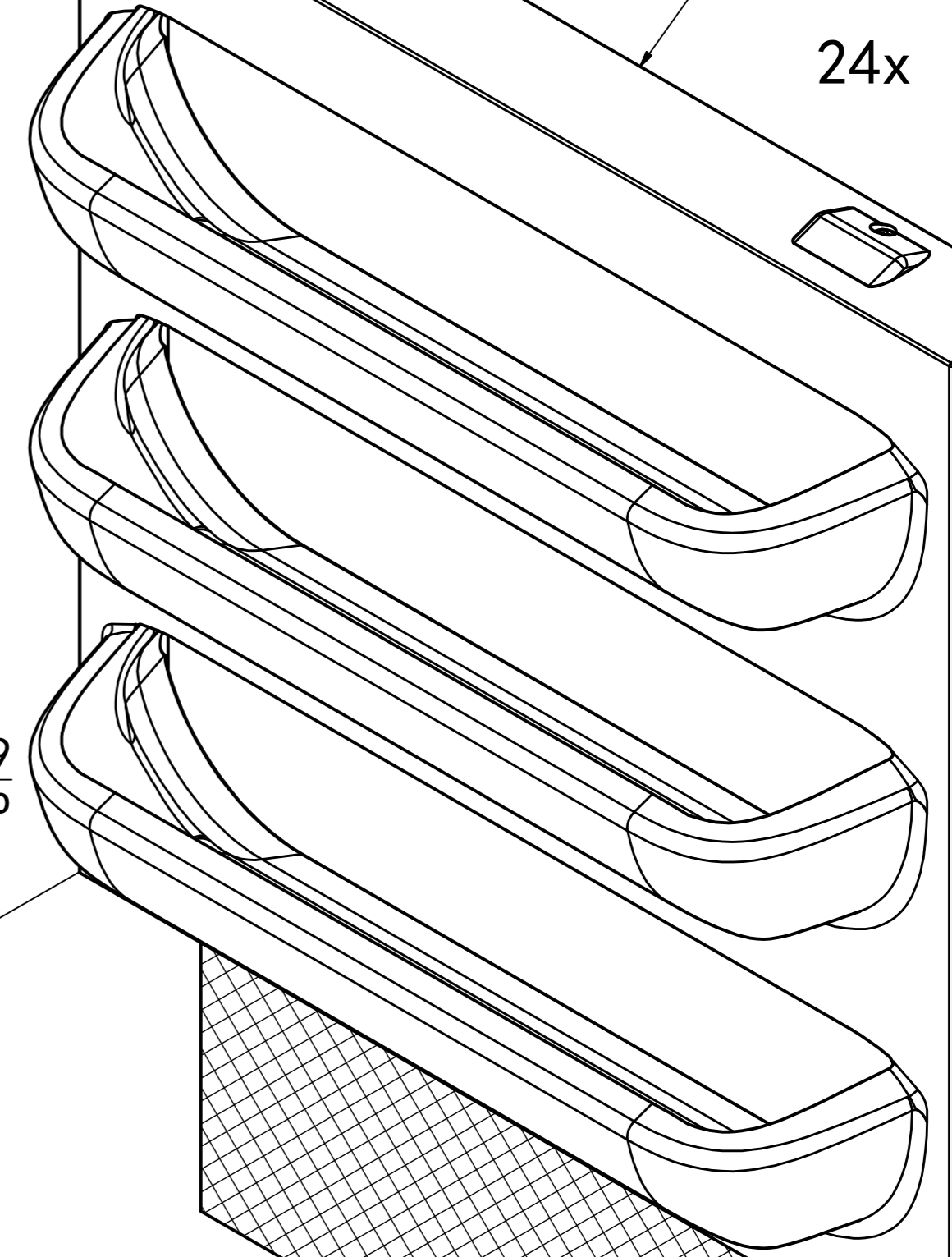
53x

14-0122-00-09
Cassette Clip



18-1678-01-00
Cassette

24x



48 mm
[1.89"]

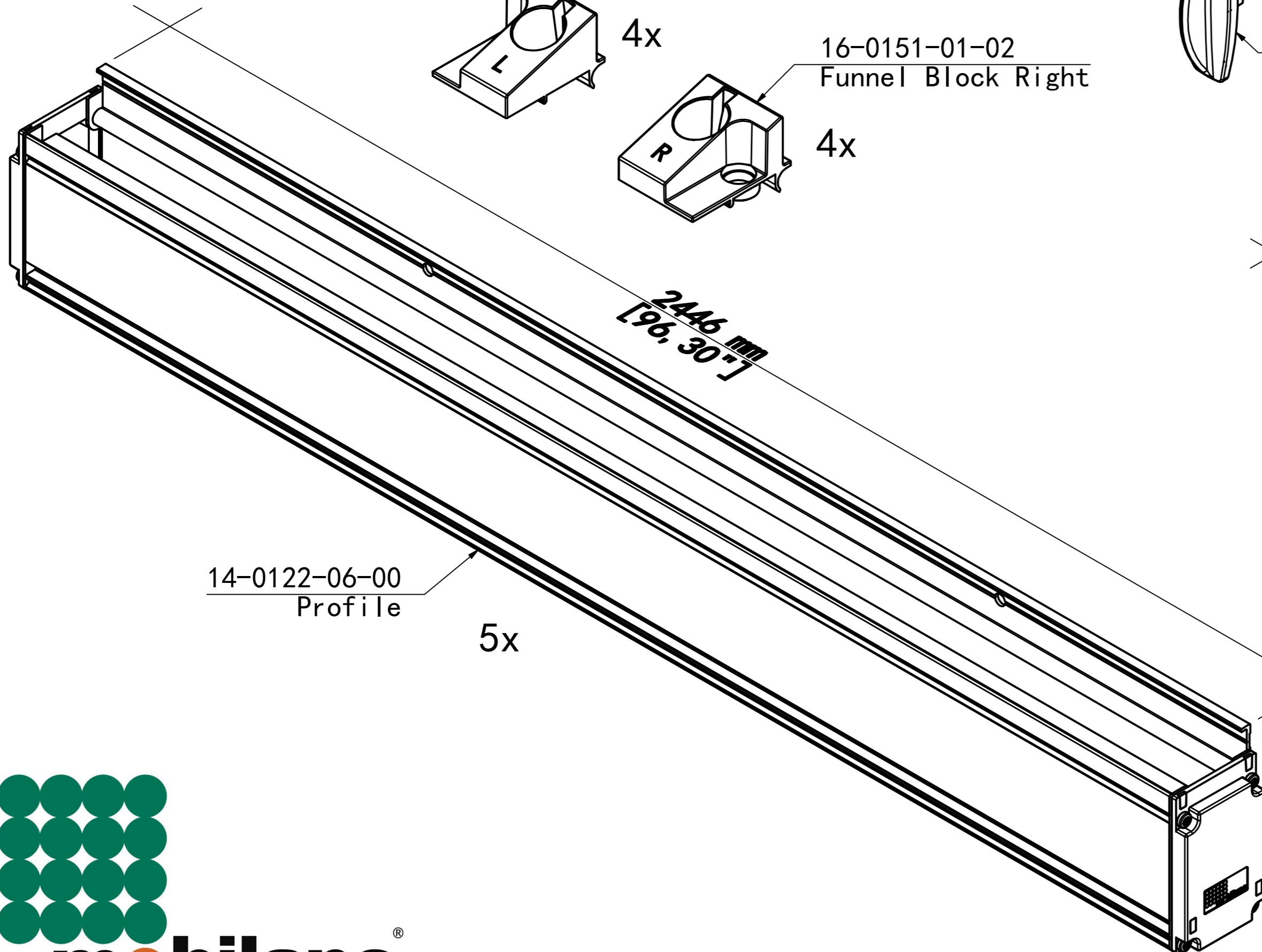
400 mm
[15.75"]

400 mm
[15.75"]

2446 mm
[96.30"]

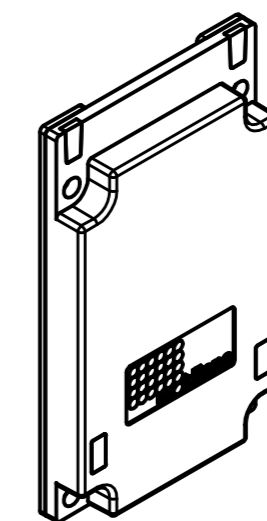
14-0122-06-00
Profile

5x



14-0122-00-07
Endcap Transparant

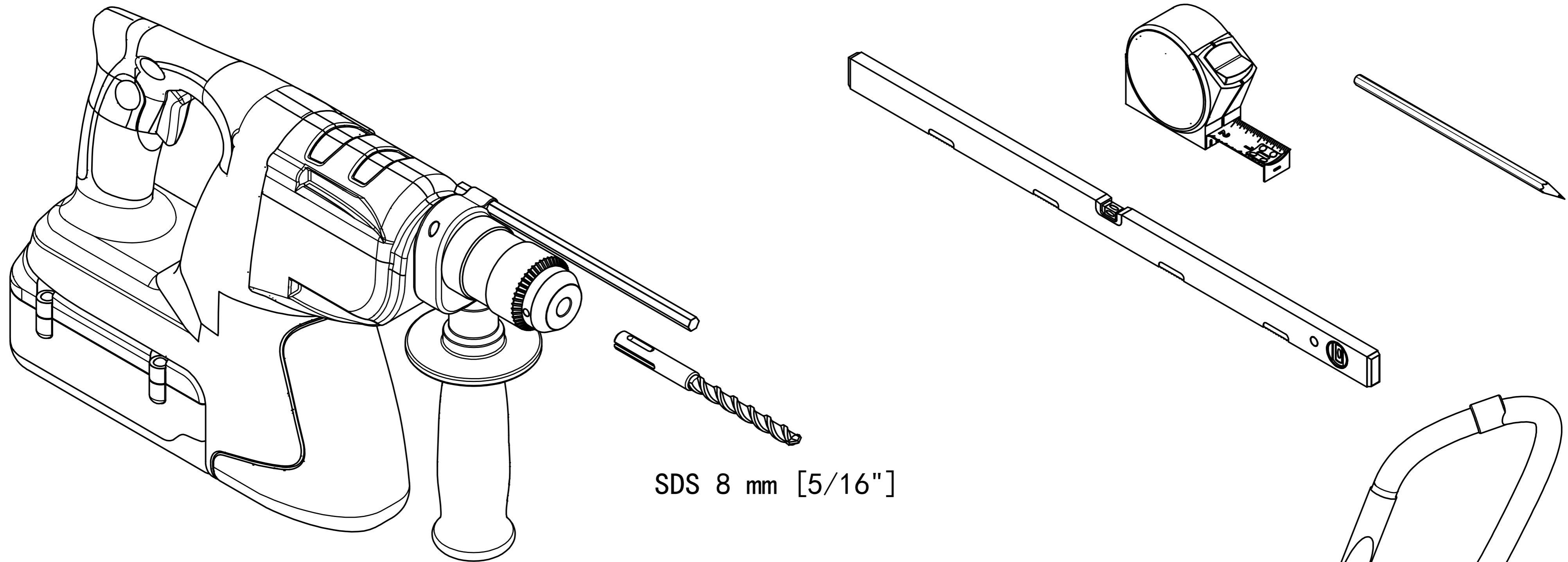
1x



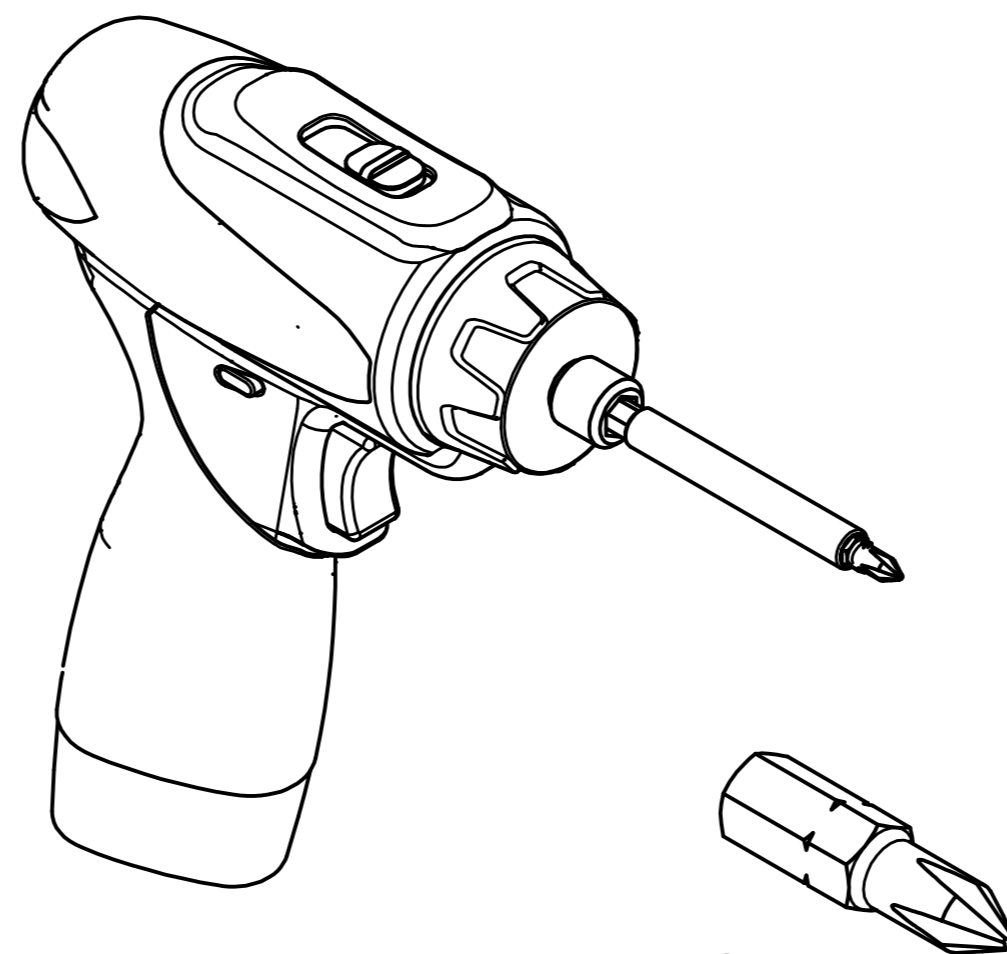
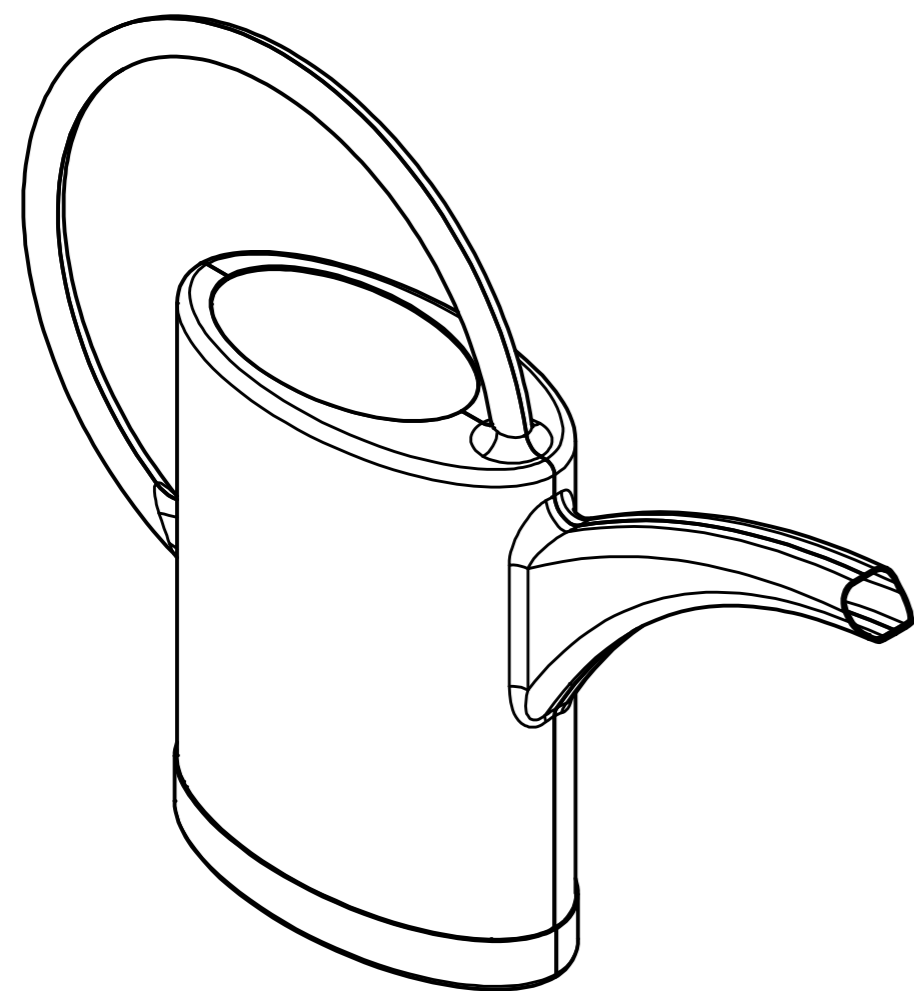
14-0122-99-05
DIN-7981/A2 3,9x19 T15

4x

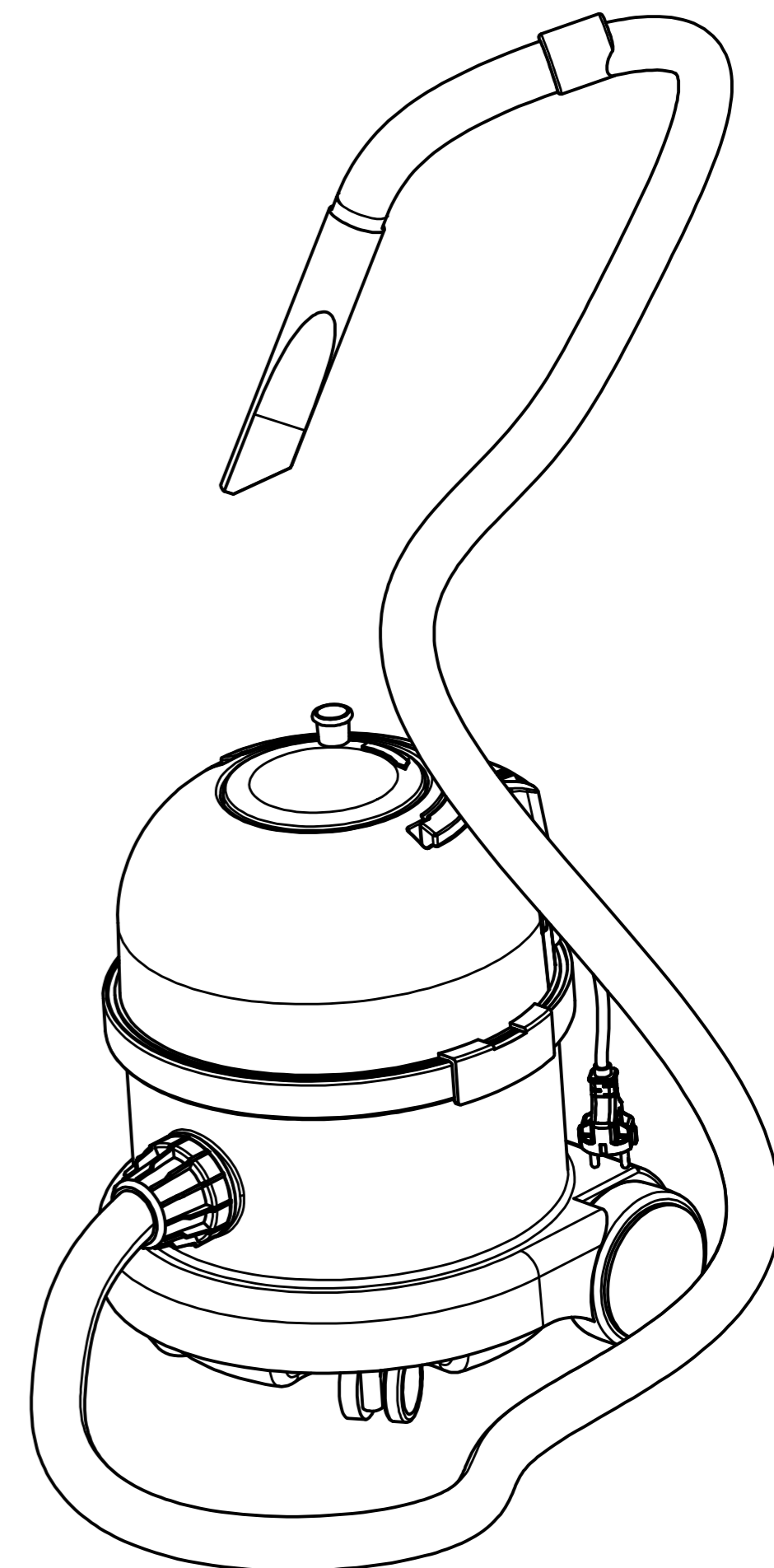




SDS 8 mm [5/16"]

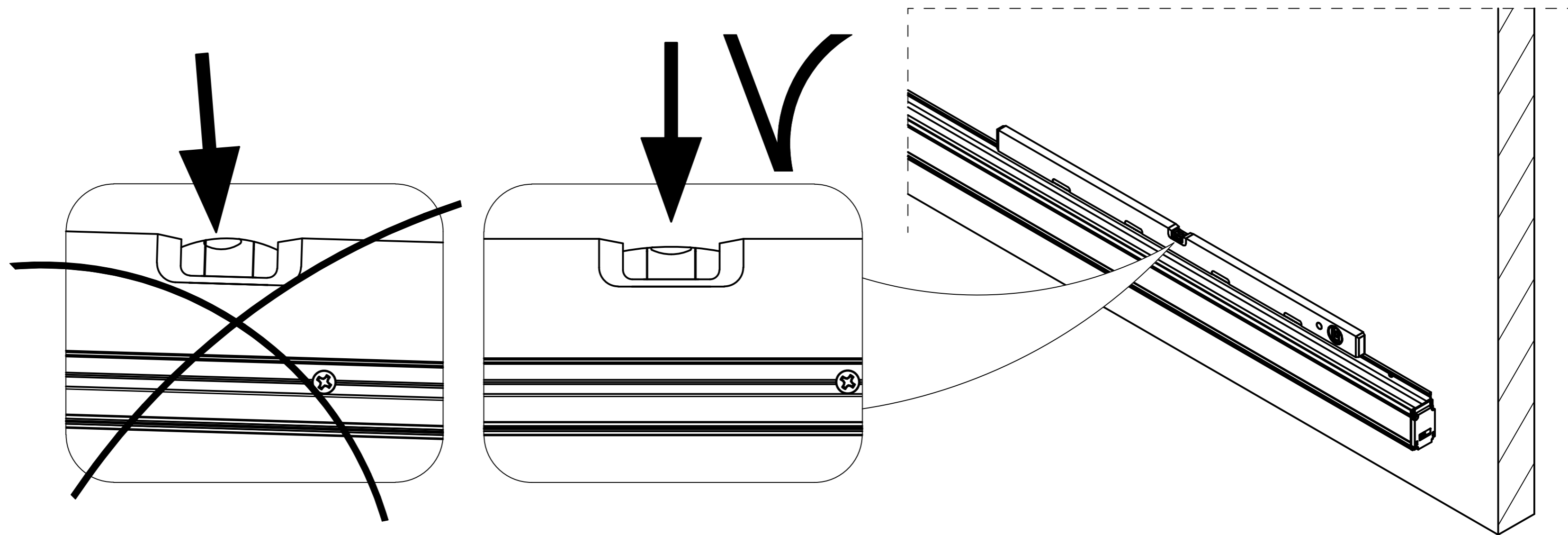
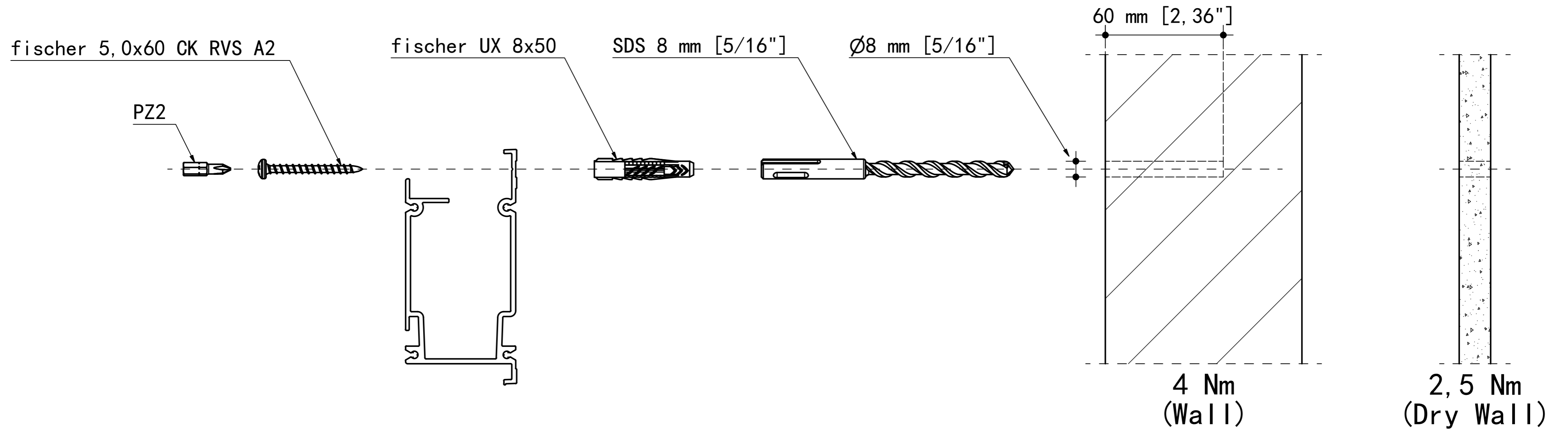


PZ2



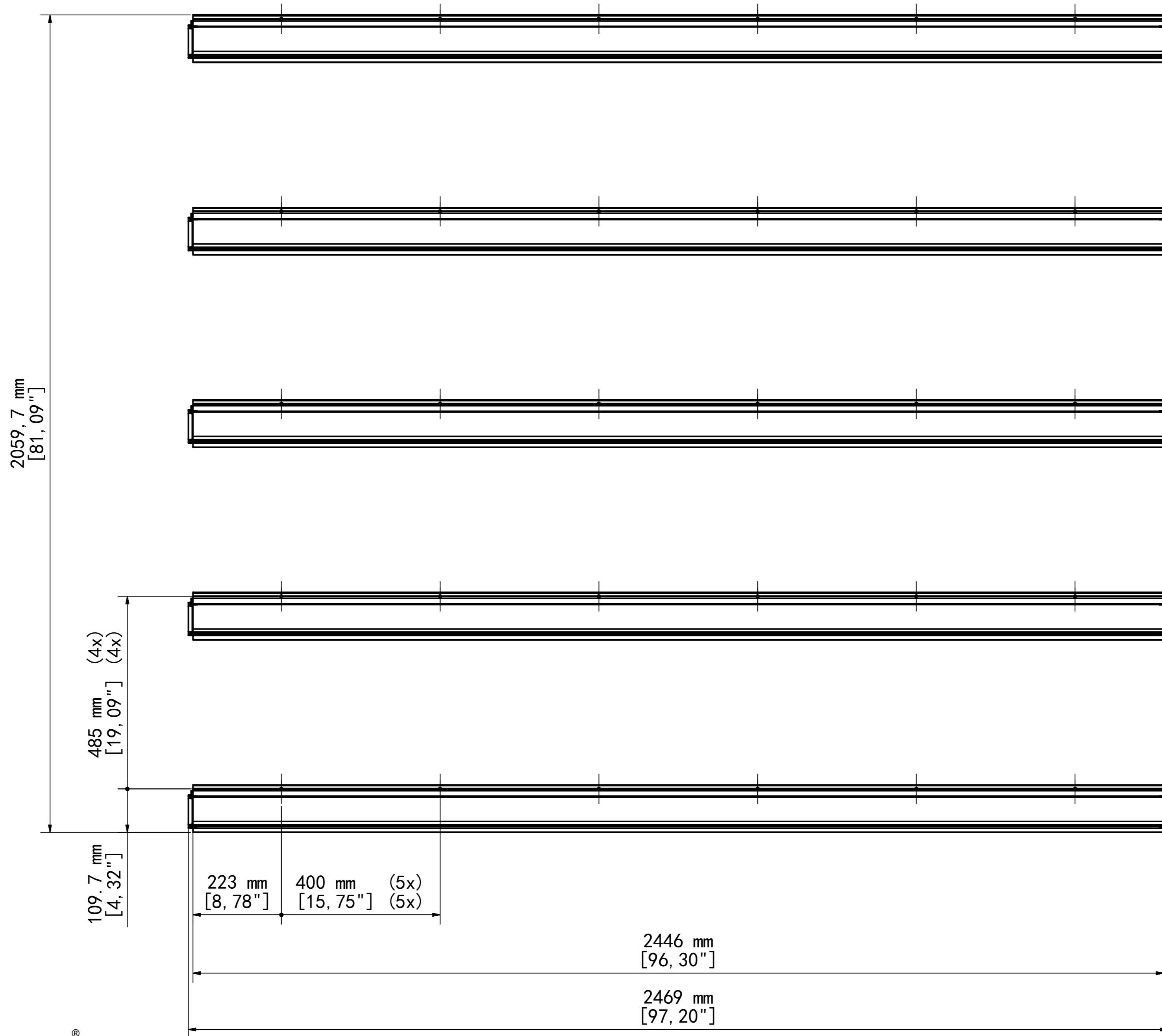
1A

USE DRILL PATTERN (1B)

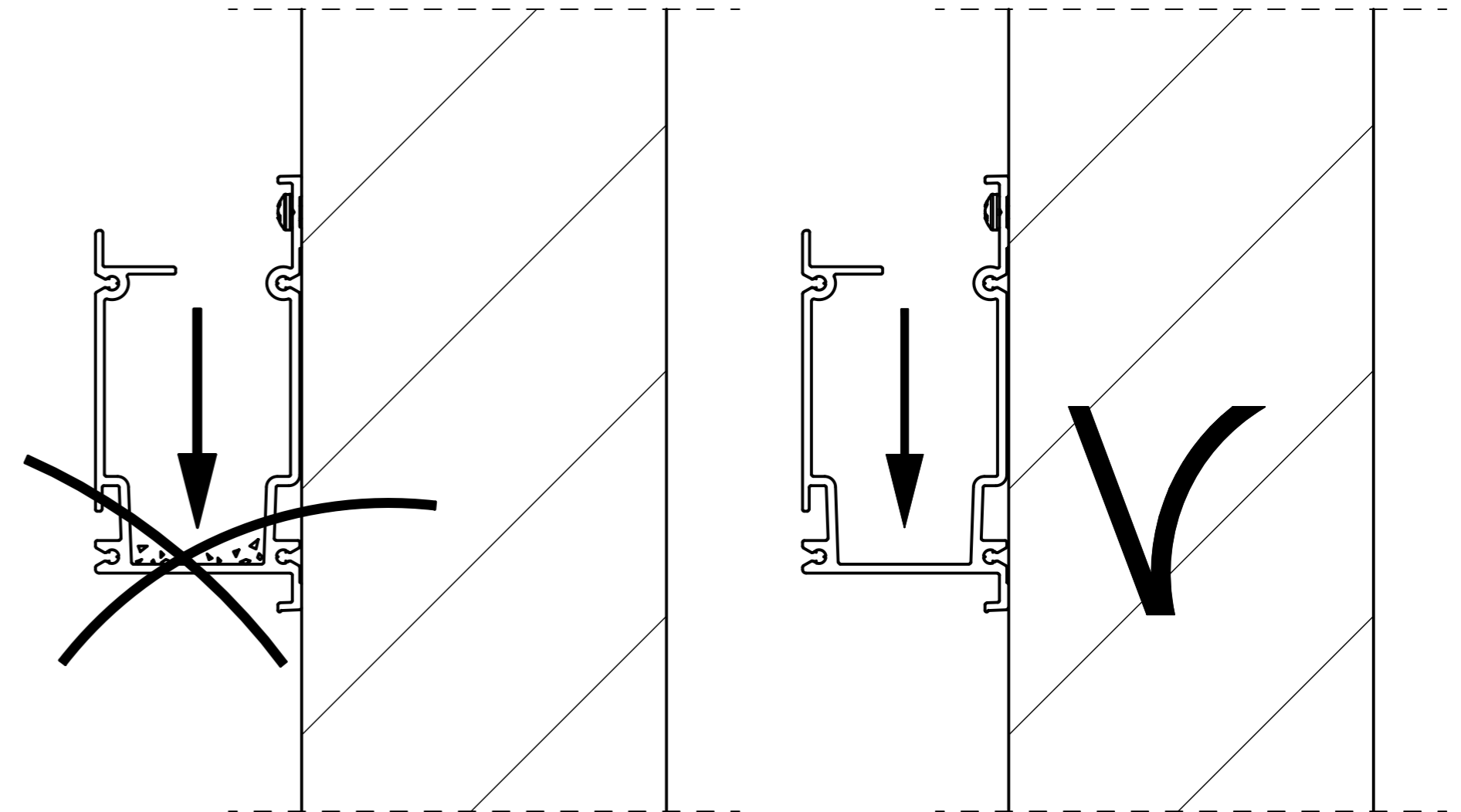
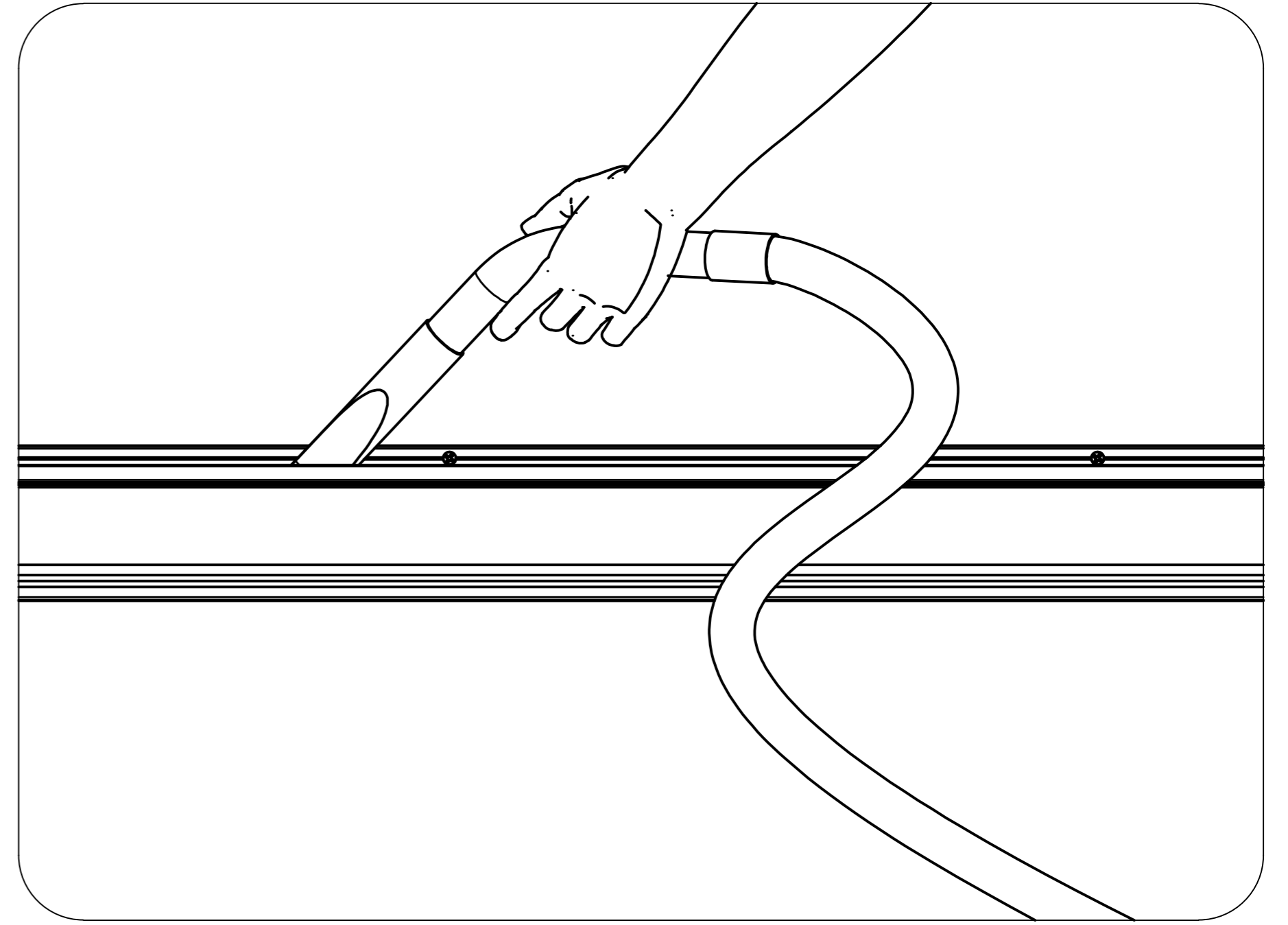
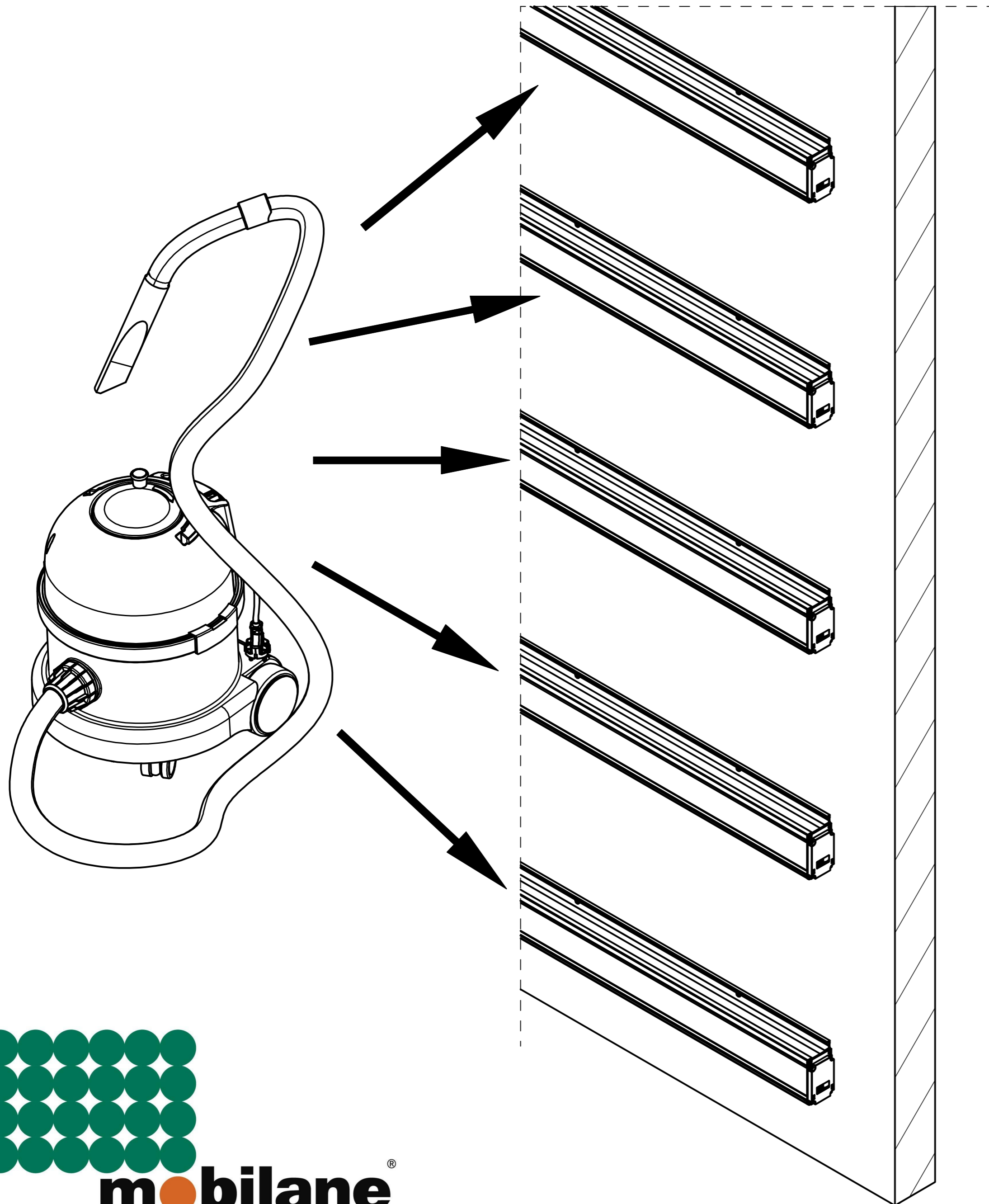


1B

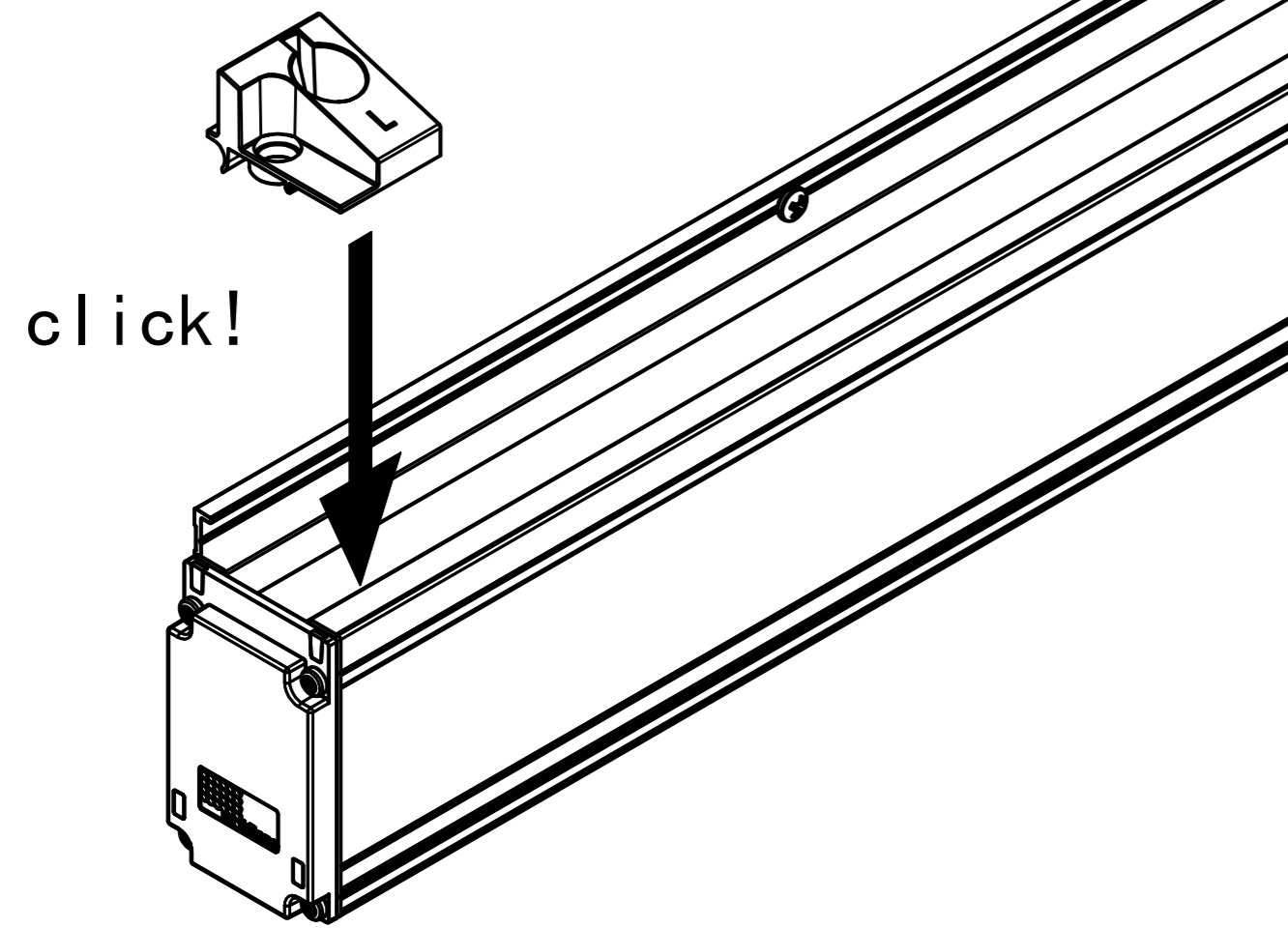
DRILL PATTERN



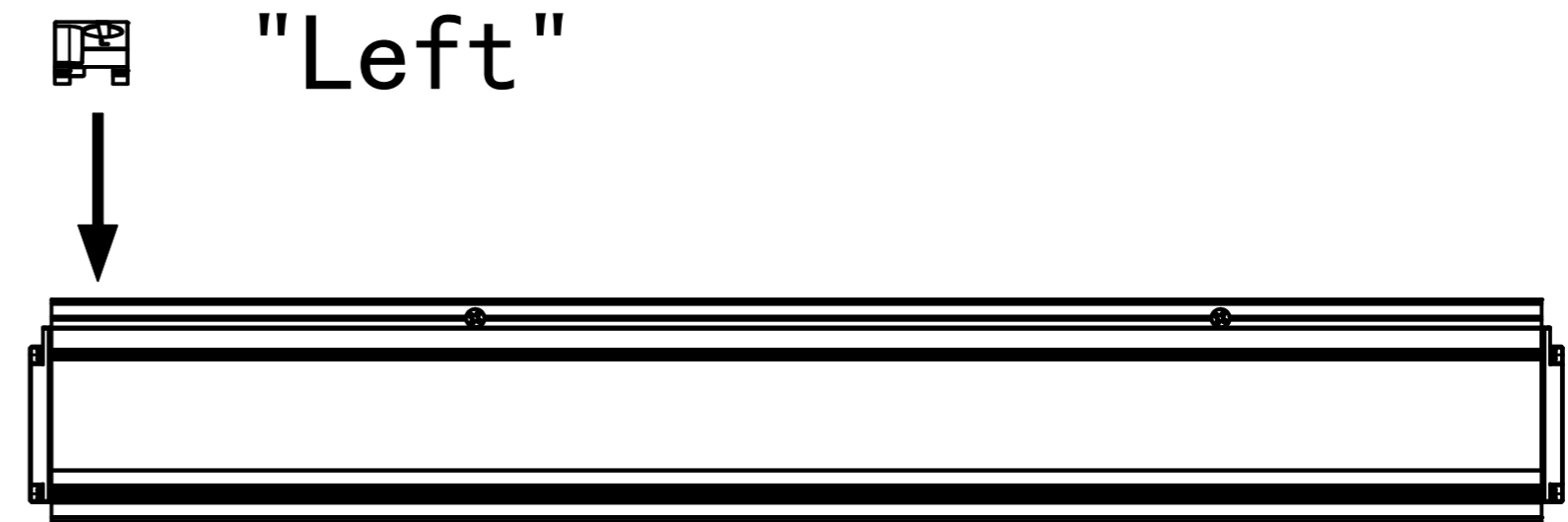
2



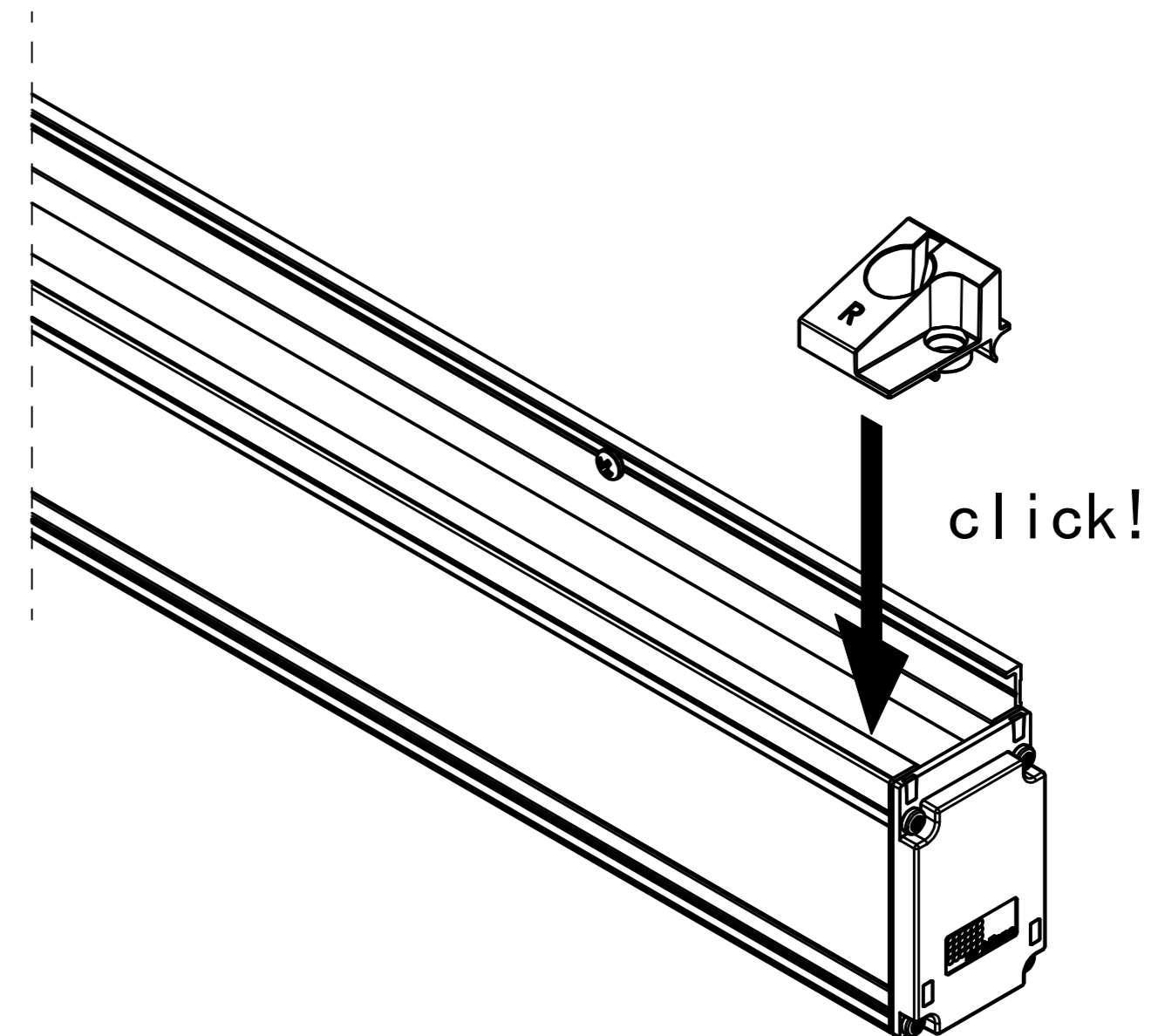
3A



CHOOSE
3A: "LEFT" OR 3B: "RIGHT"



3B

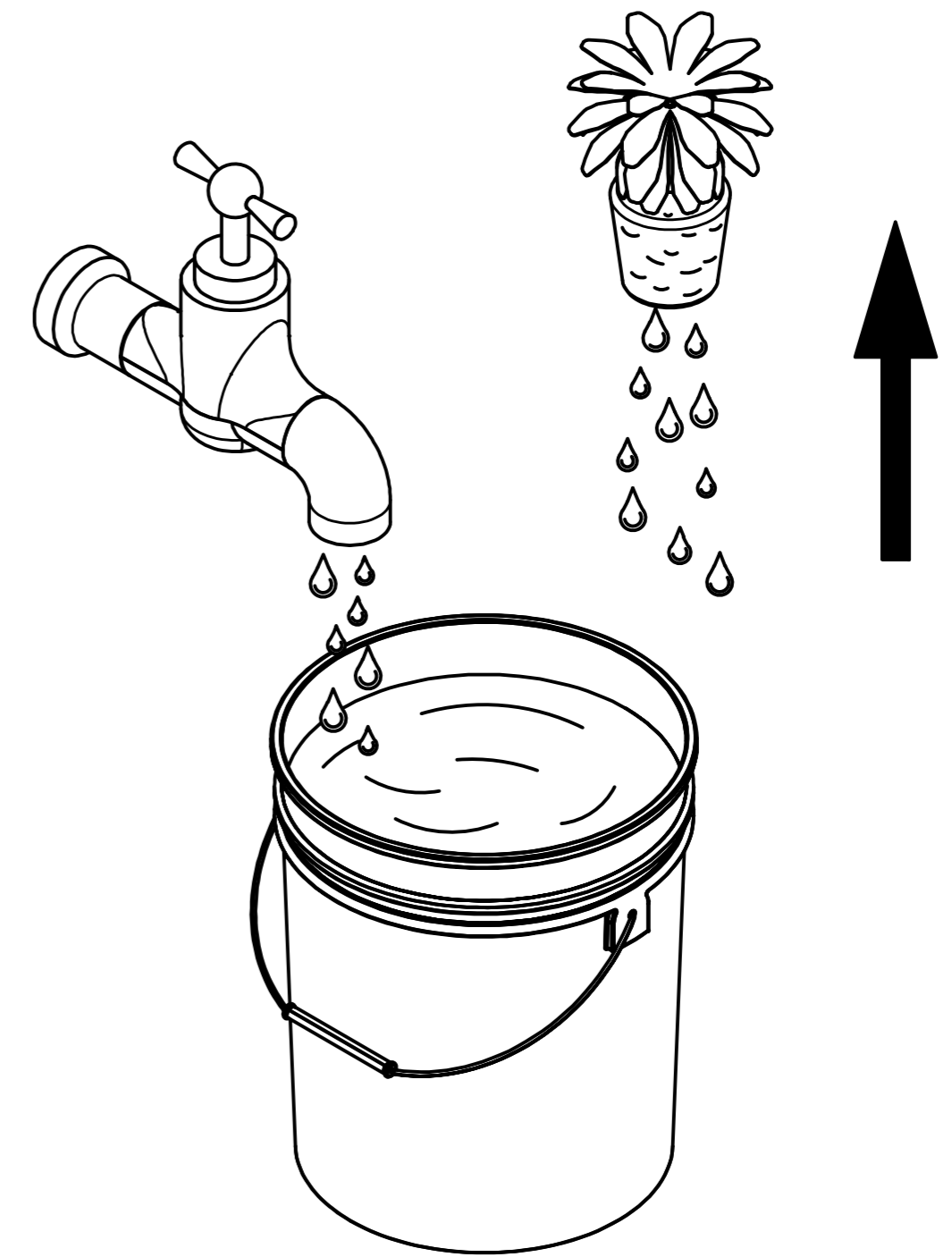


4A

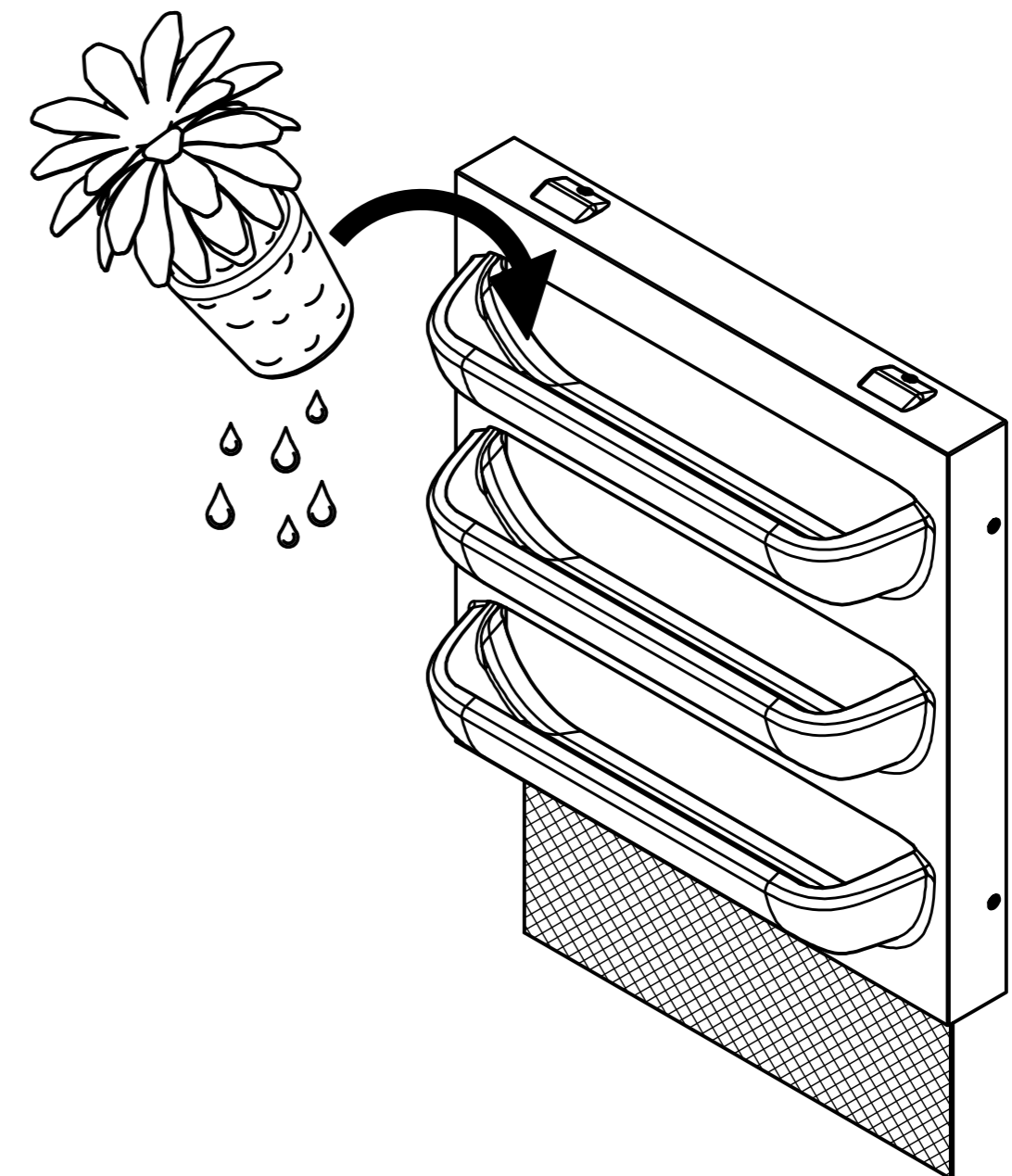


- >P11
4, 25"
- P9
3, 50"
- P8, 5
3, 25"
- P7
2, 75"
- P6
2, 25"

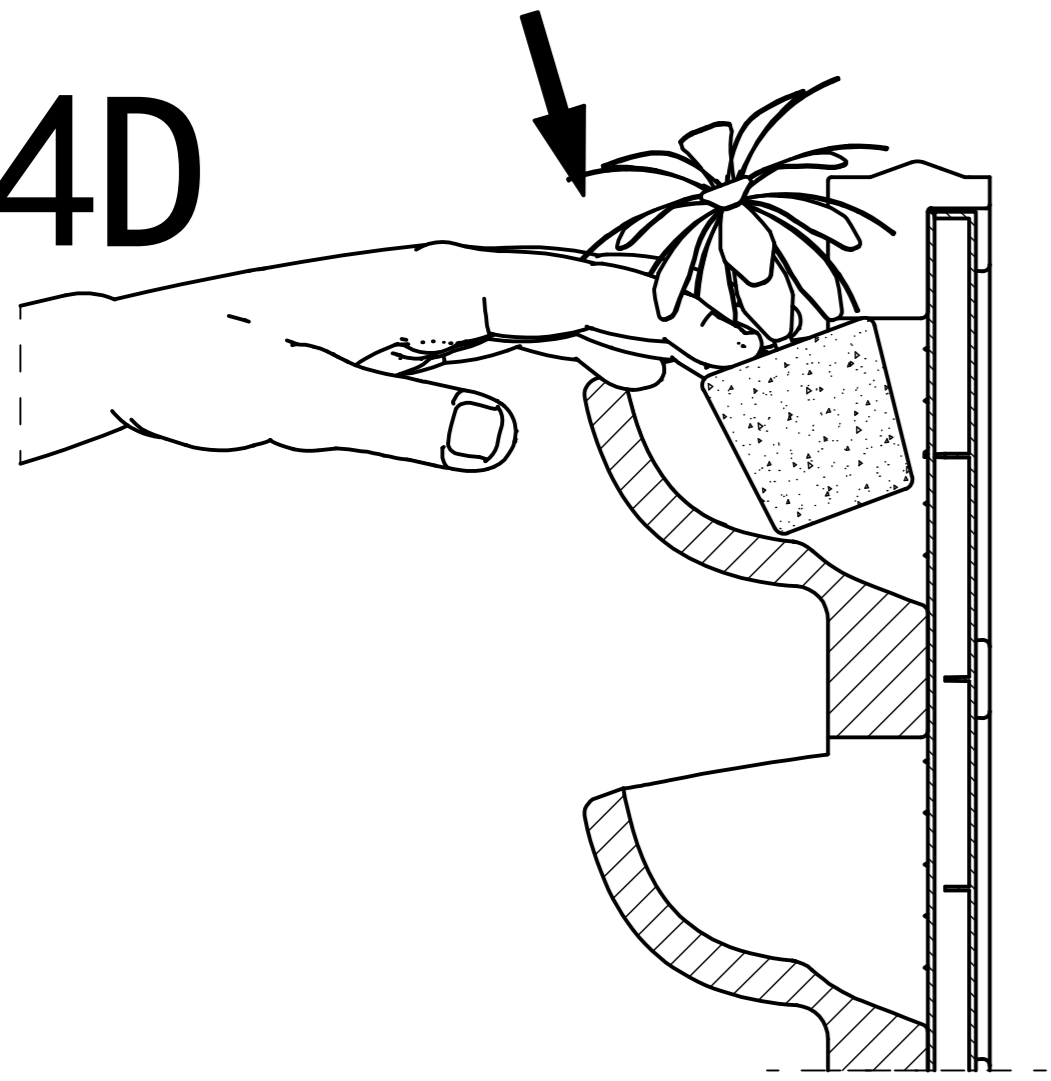
4B



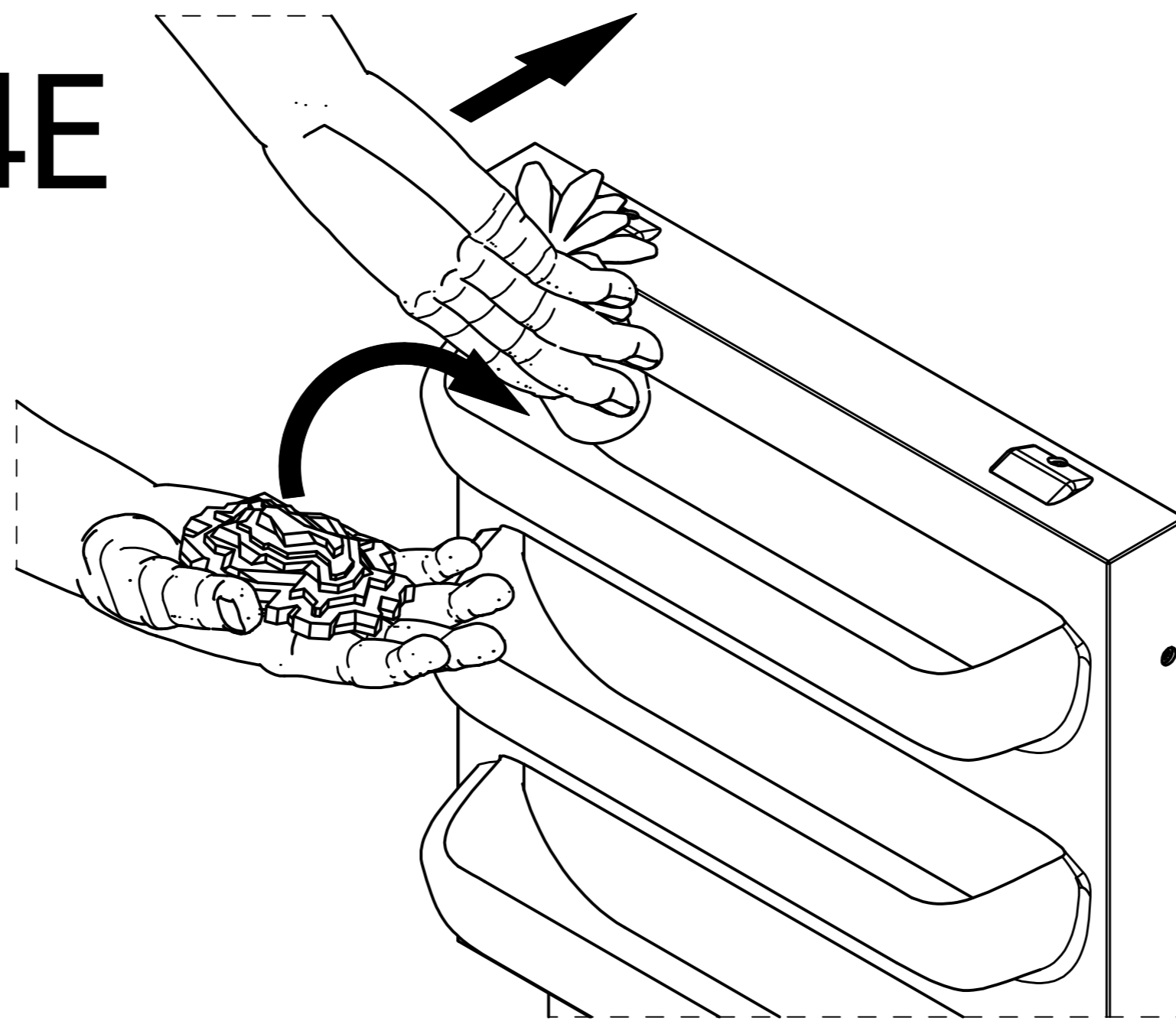
4C



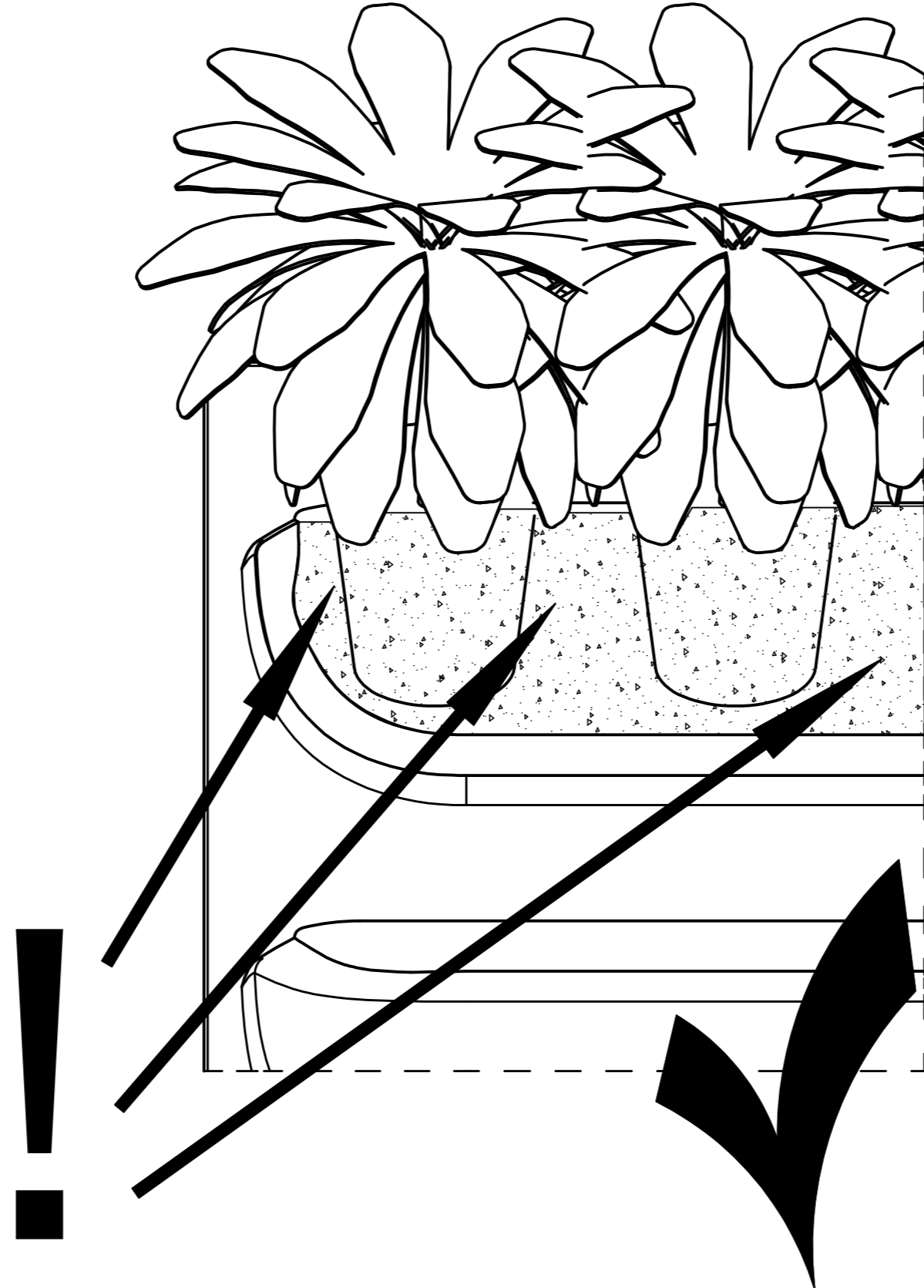
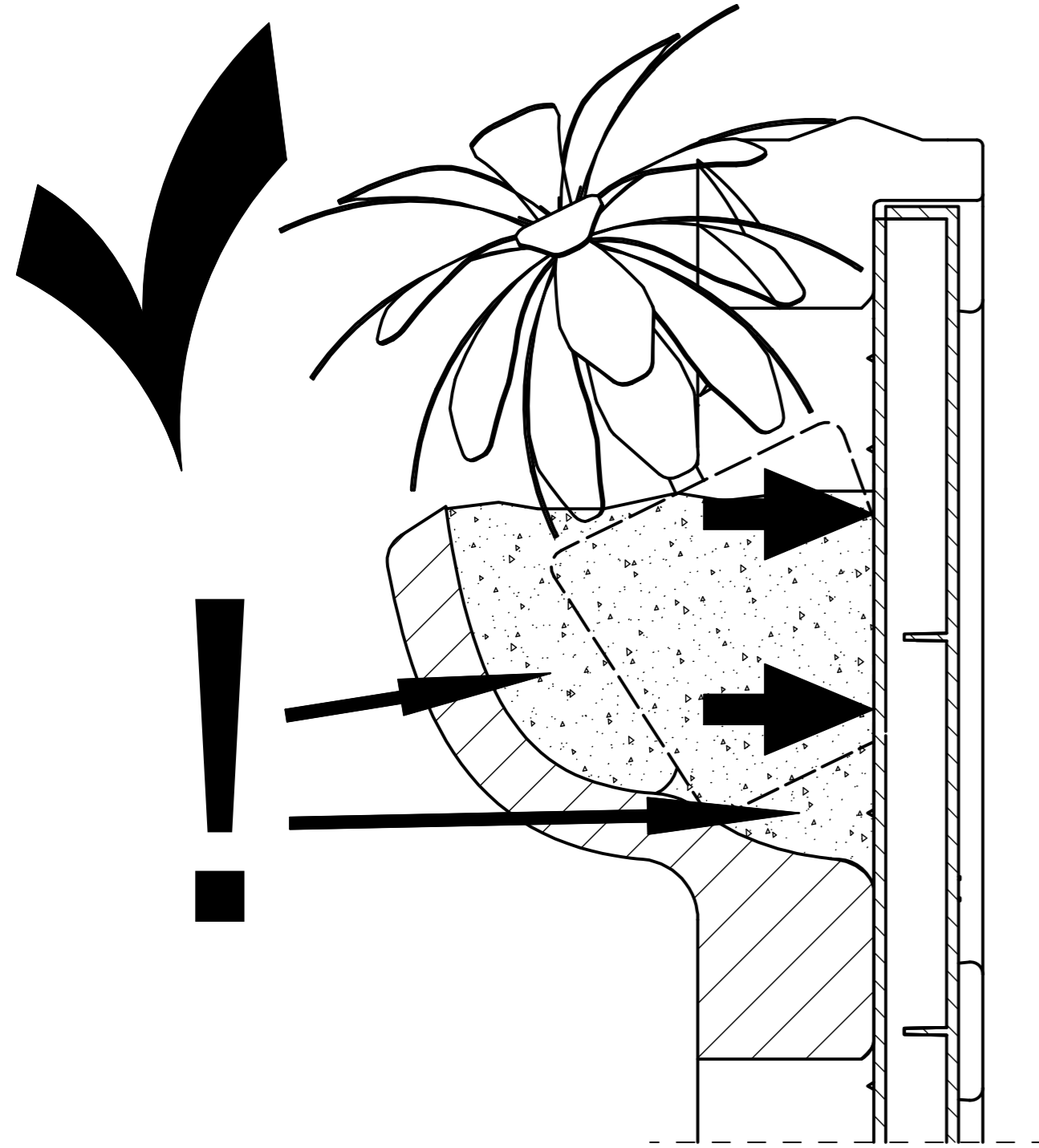
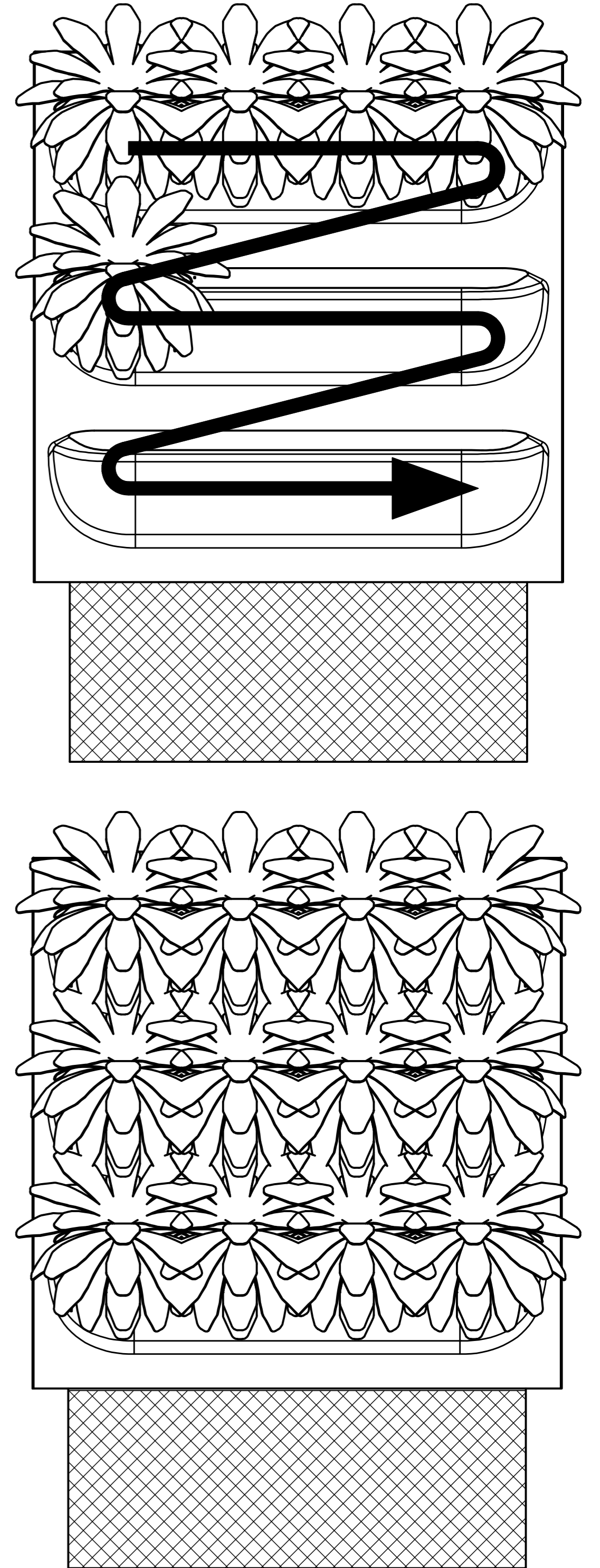
4D



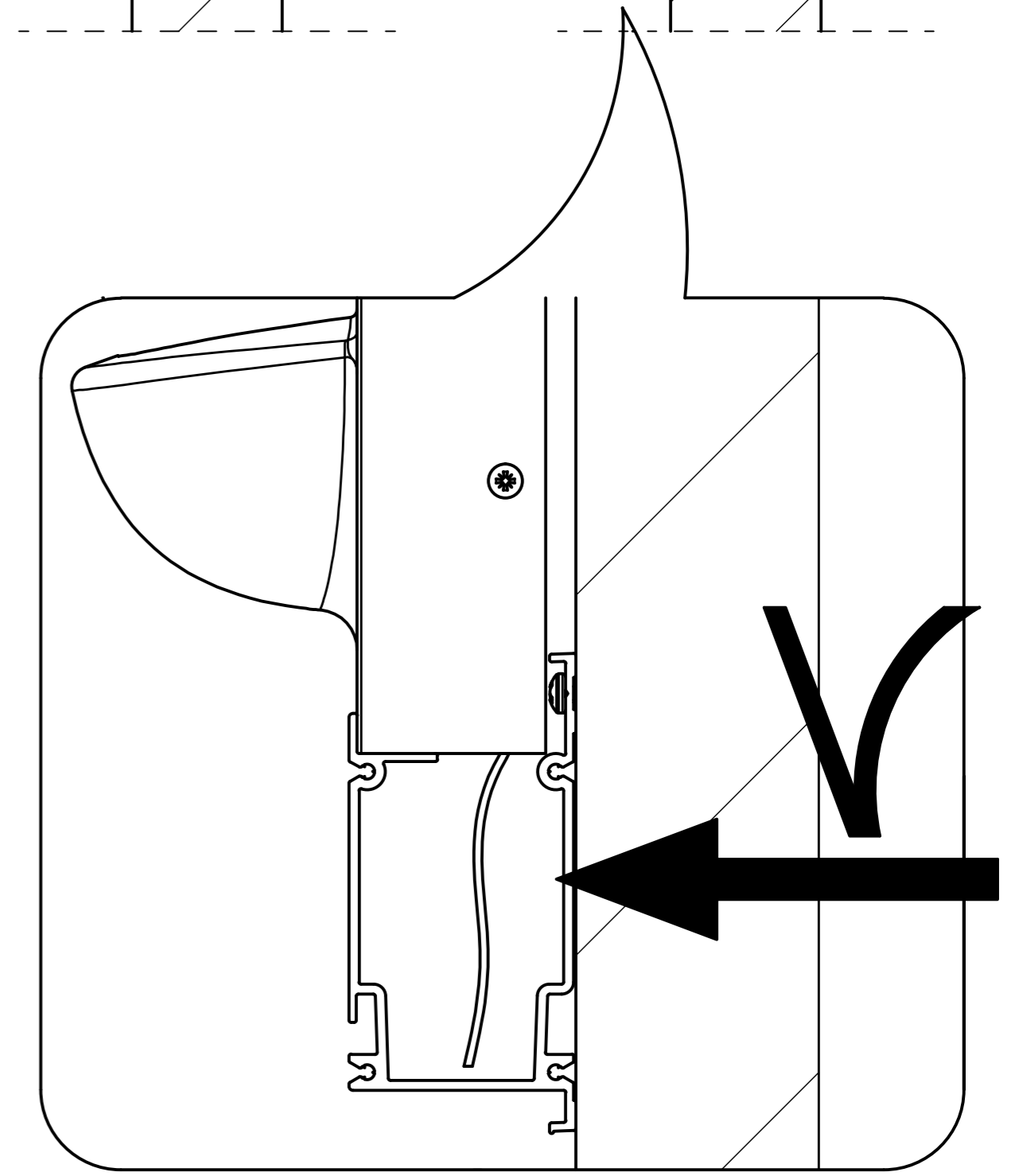
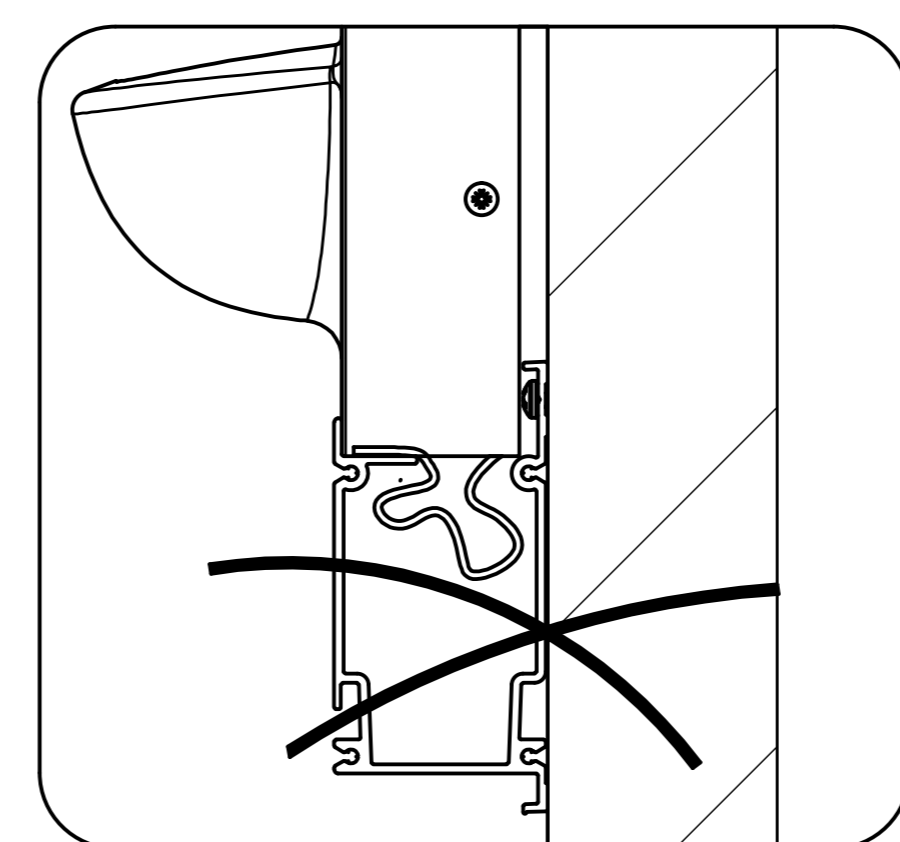
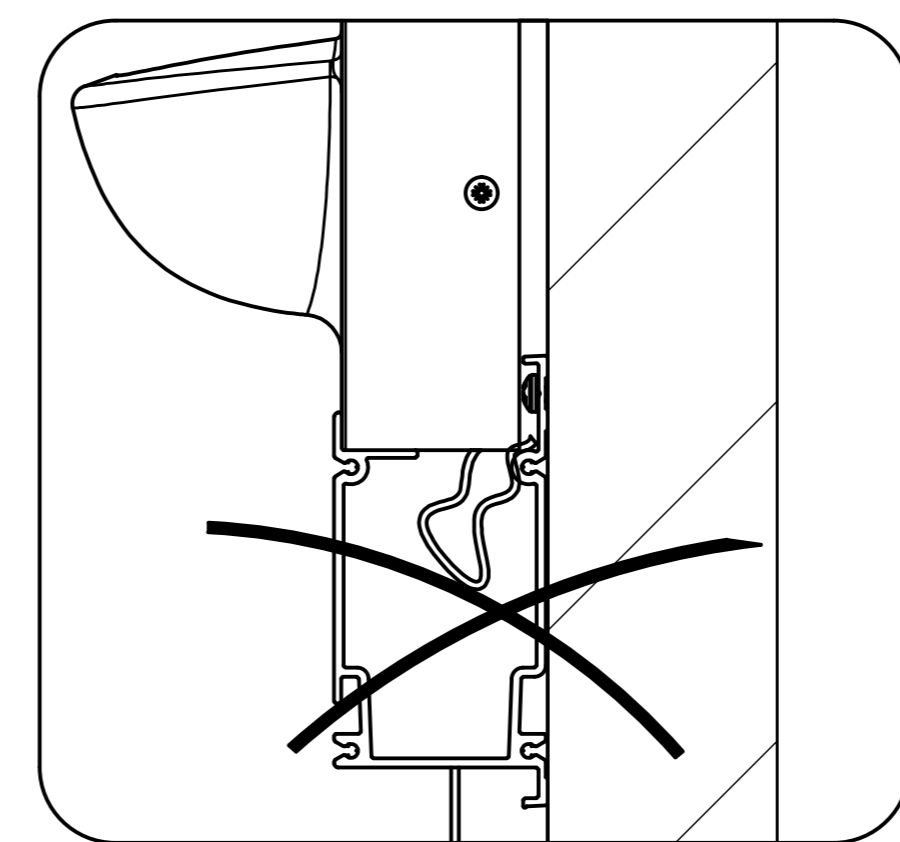
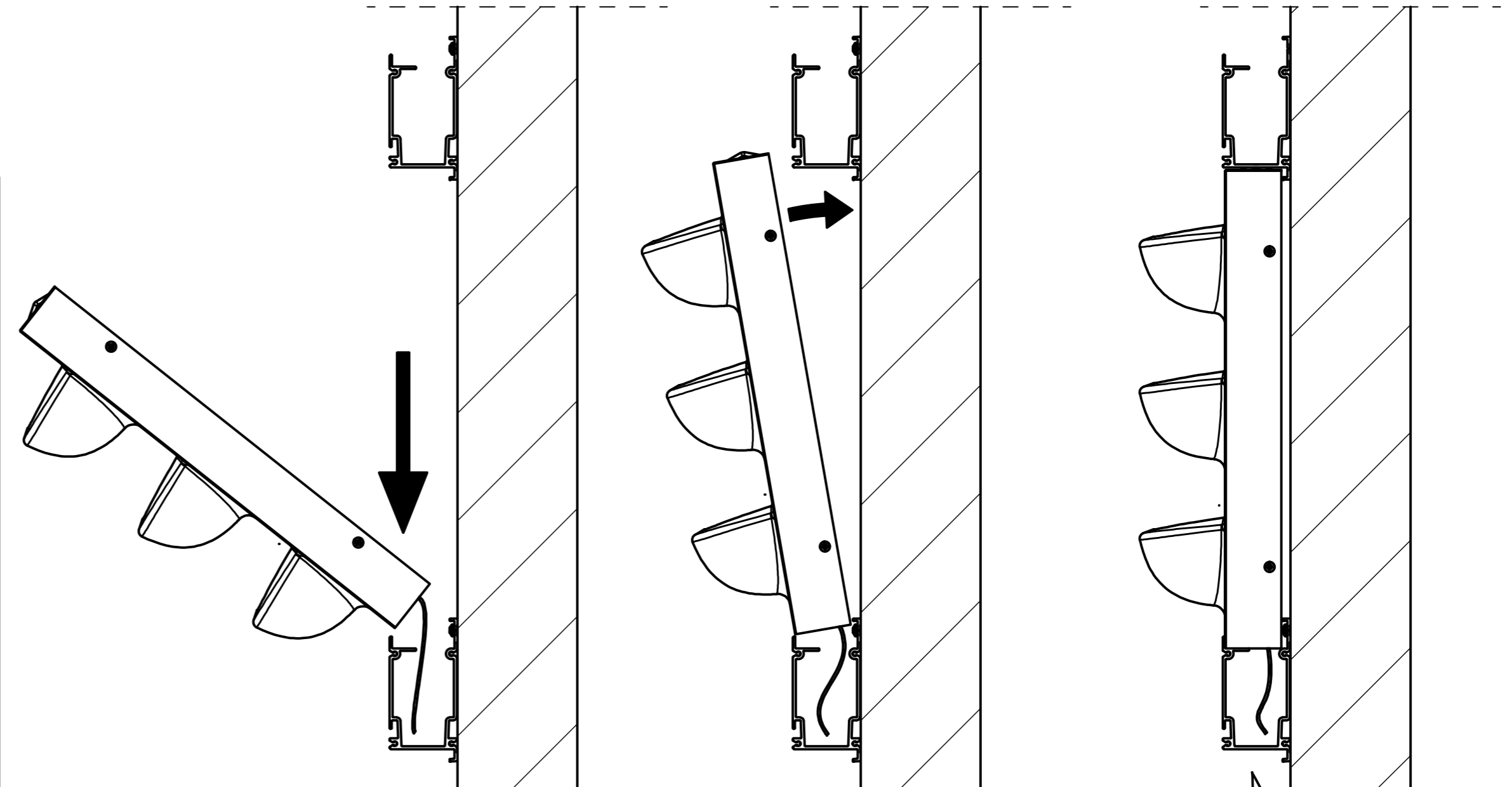
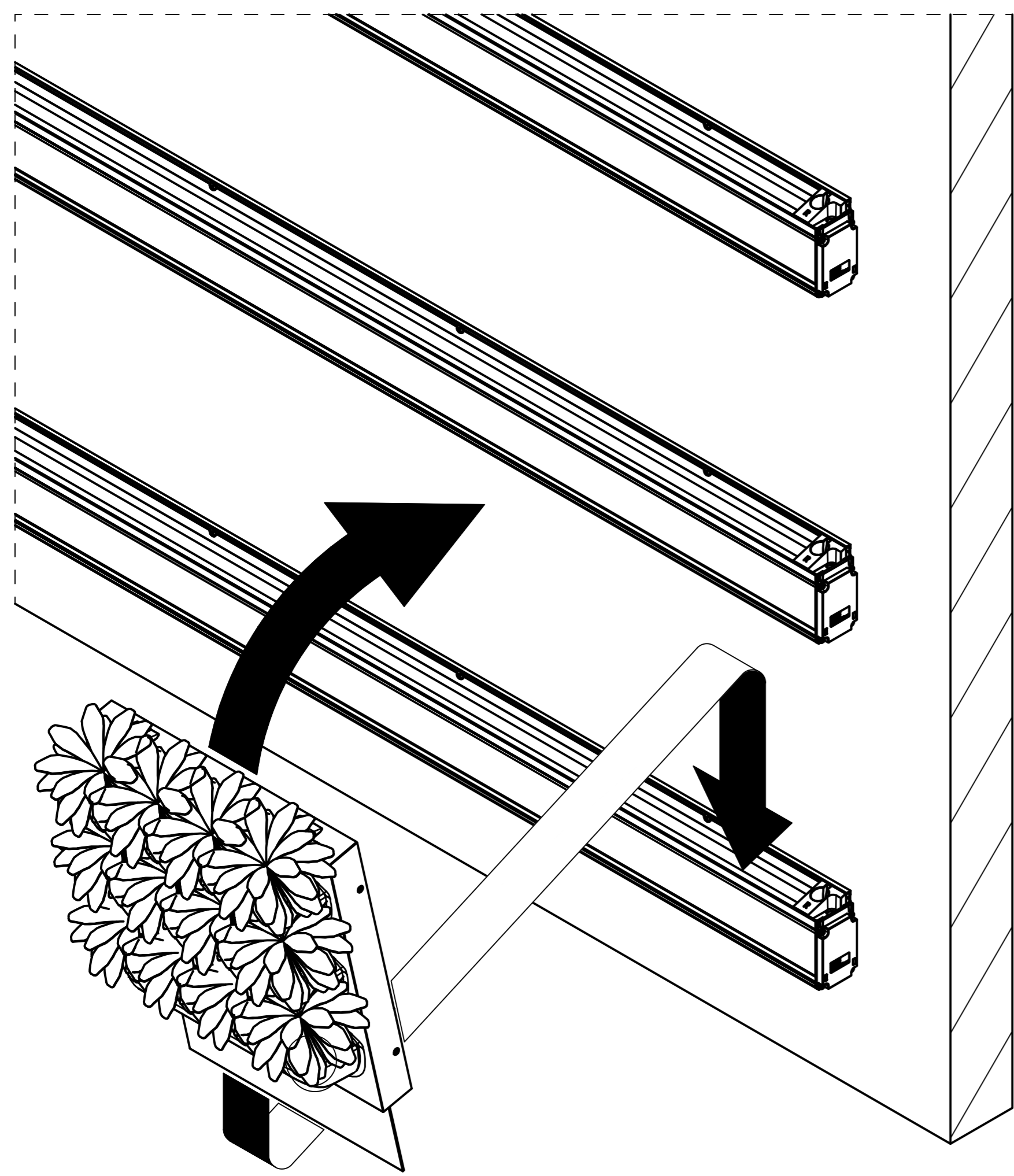
4E



4F



5

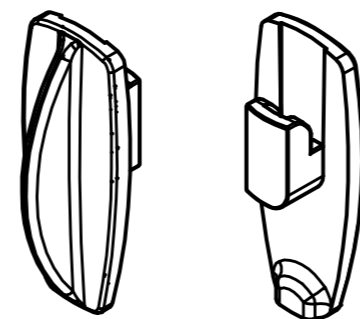
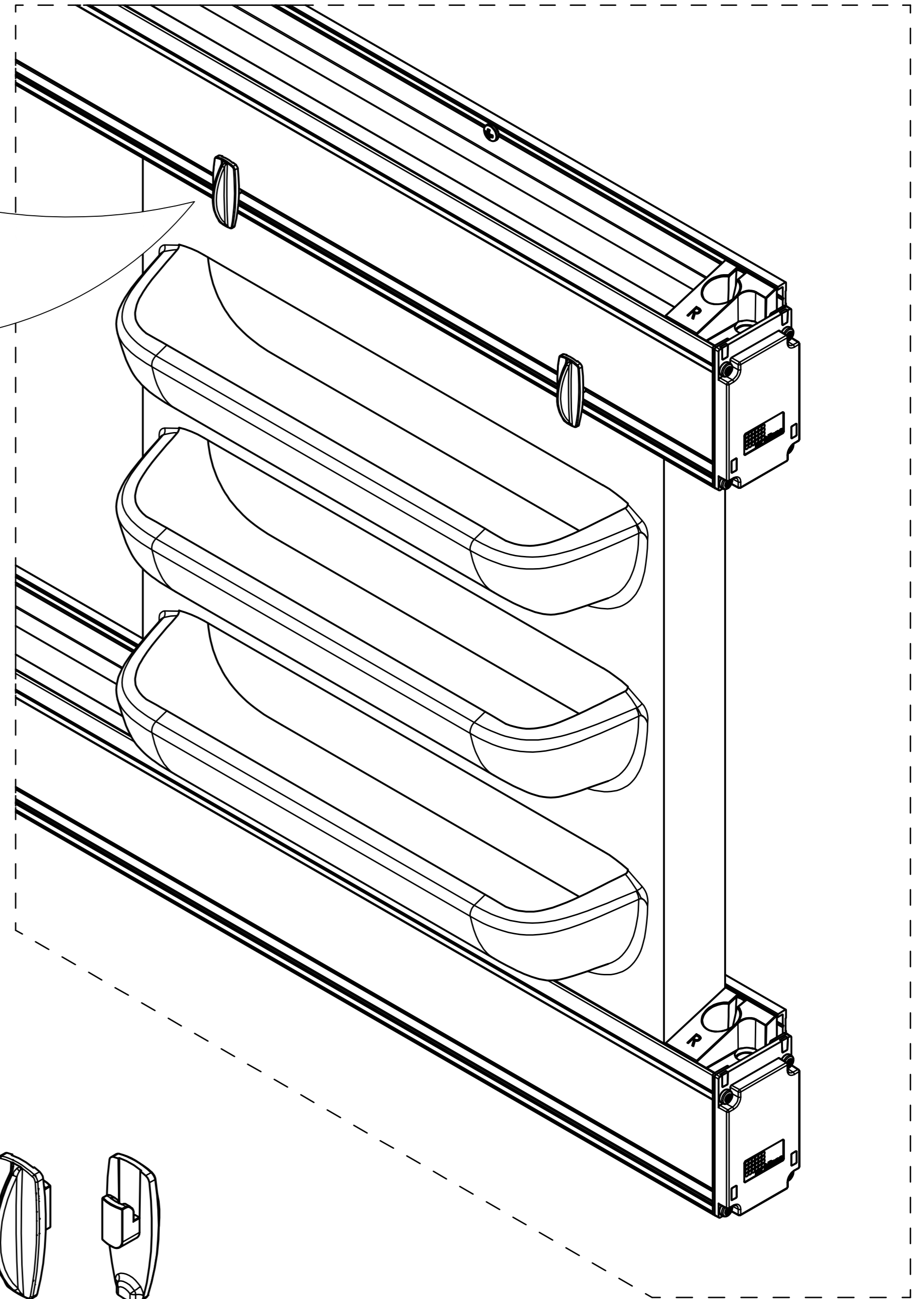
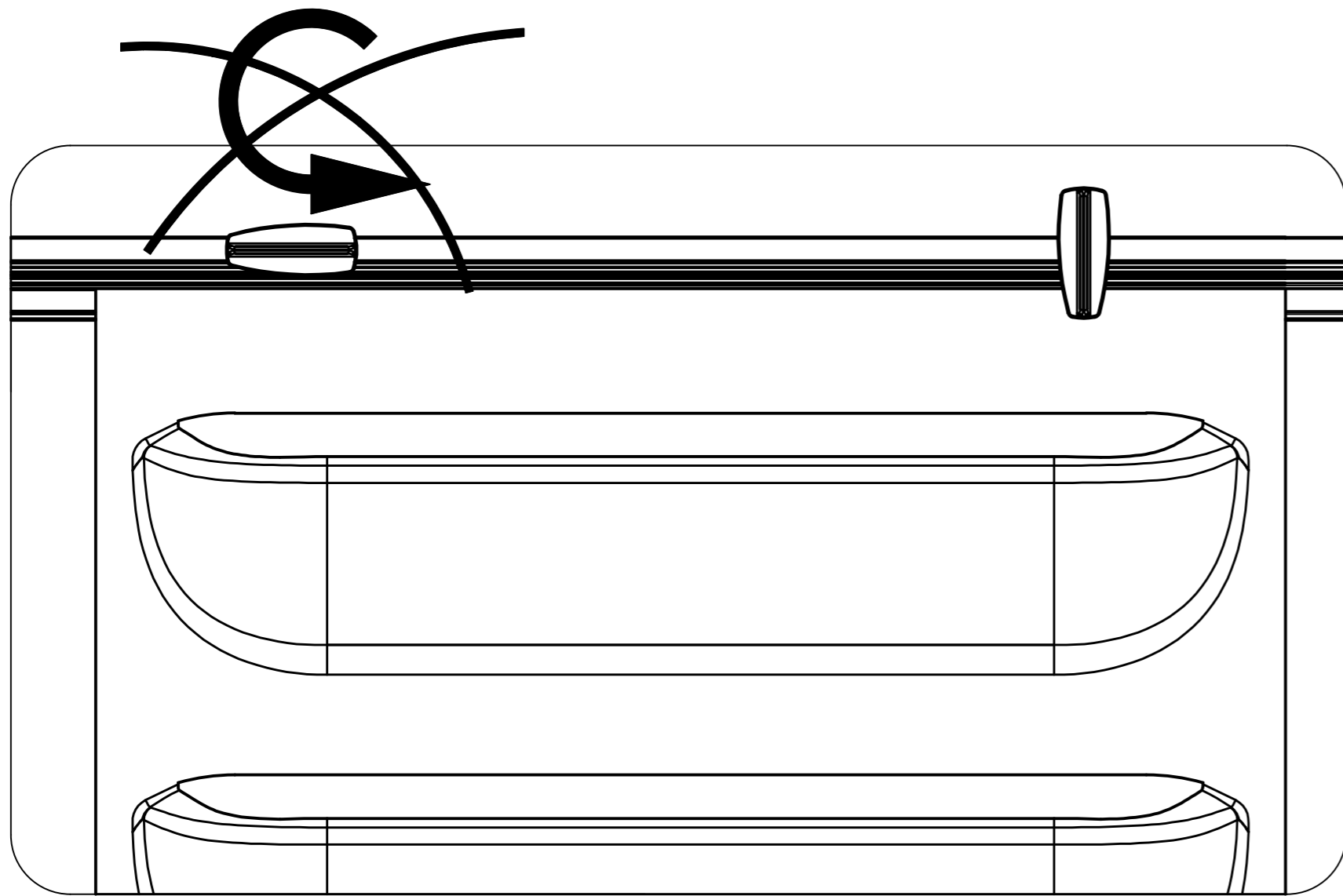
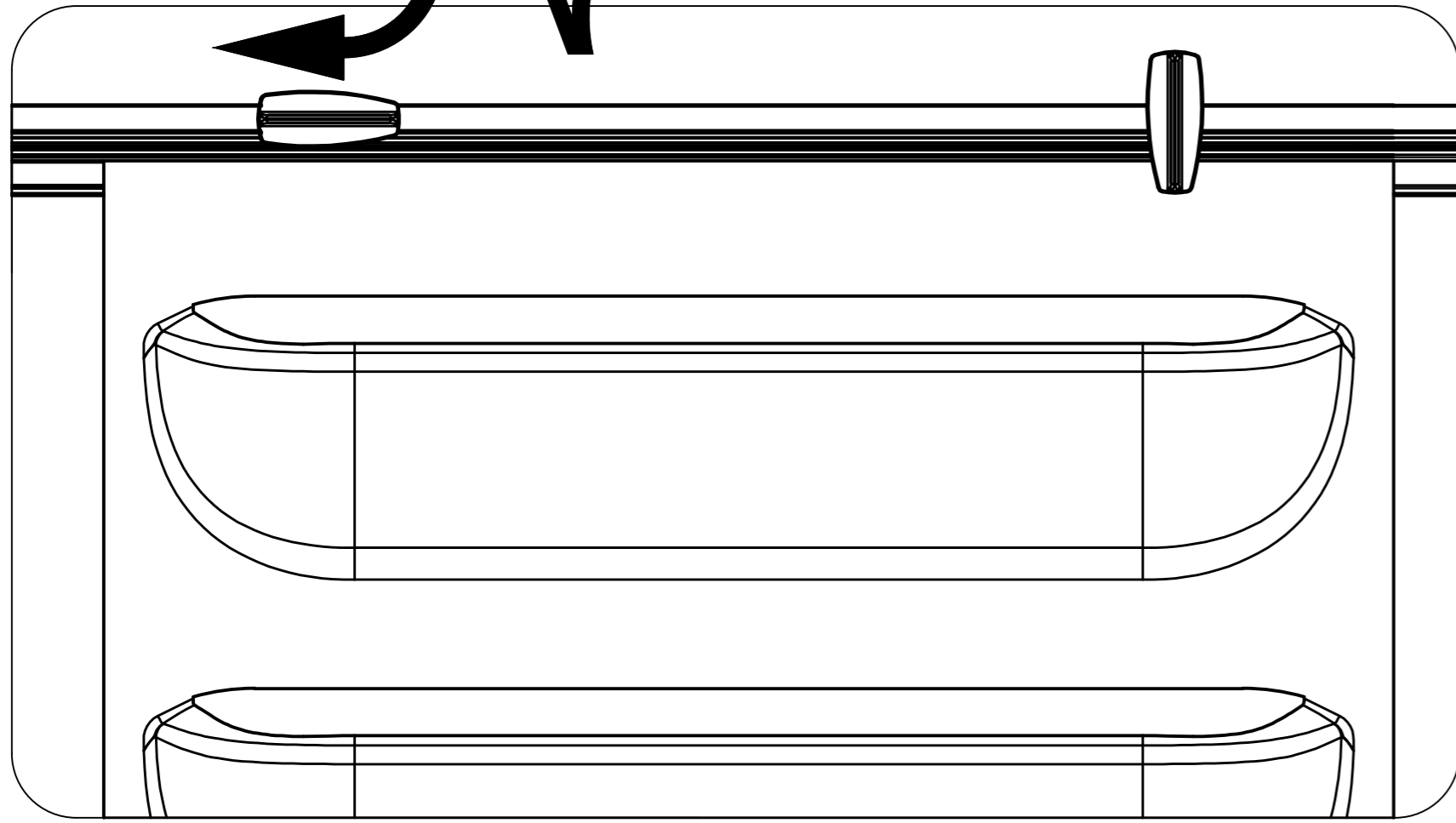


CHECK!



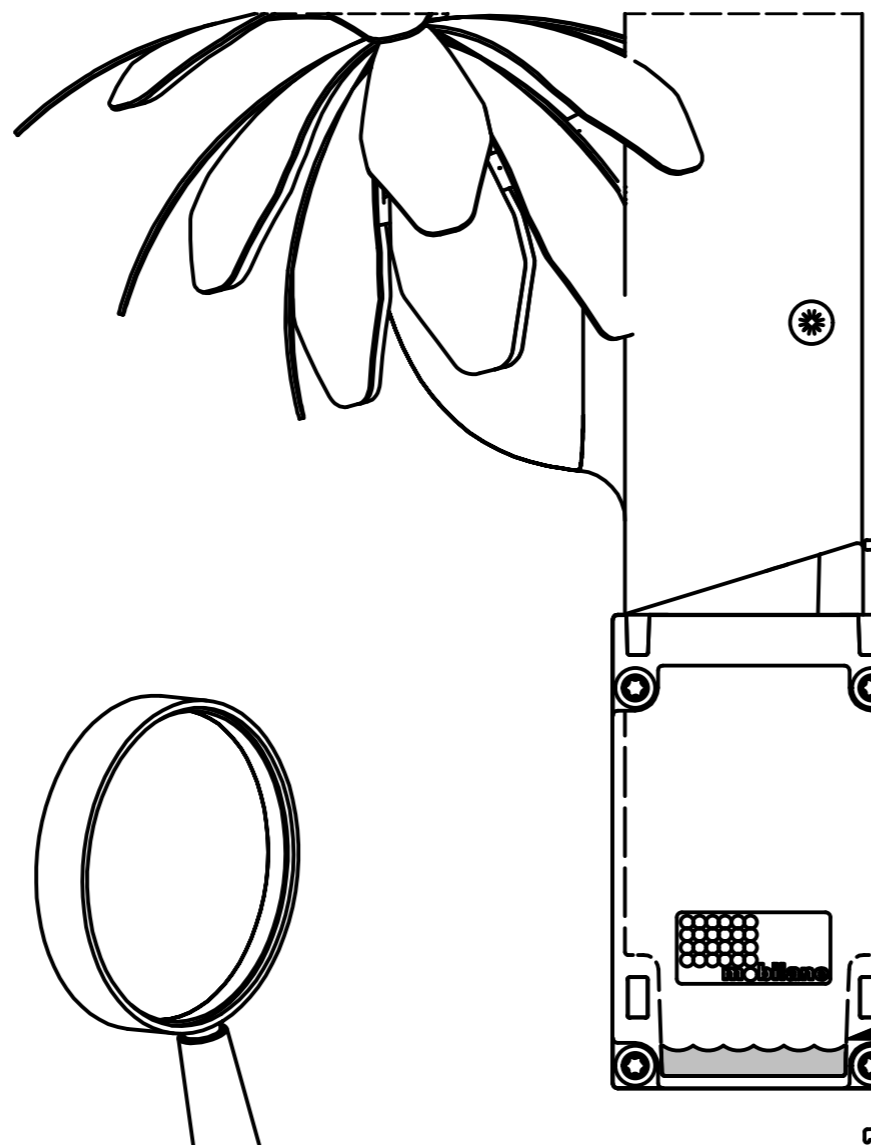
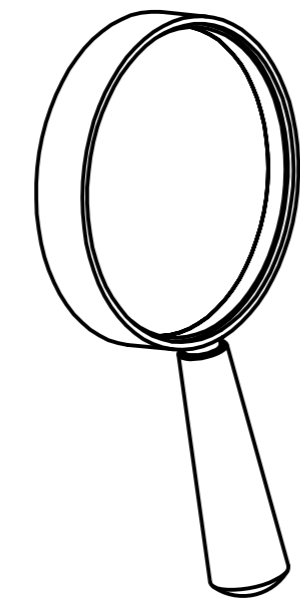
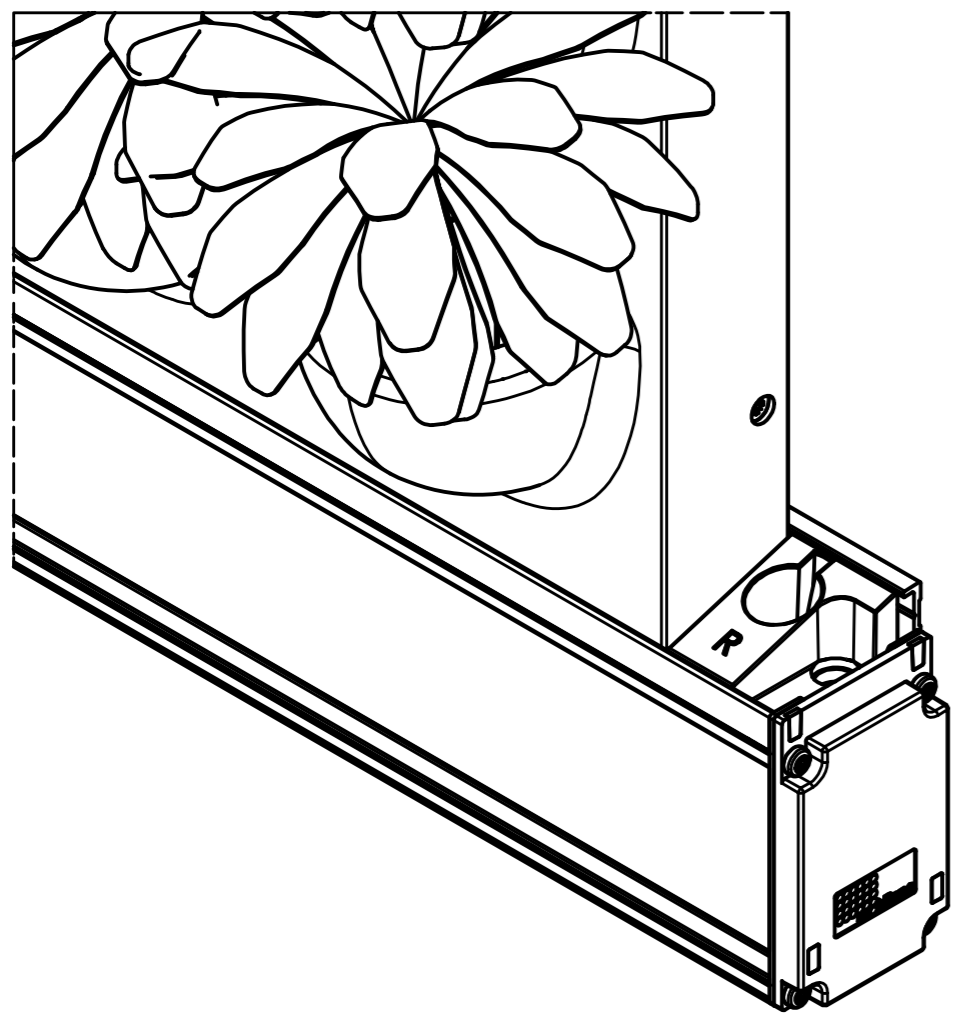
6

click! ✓

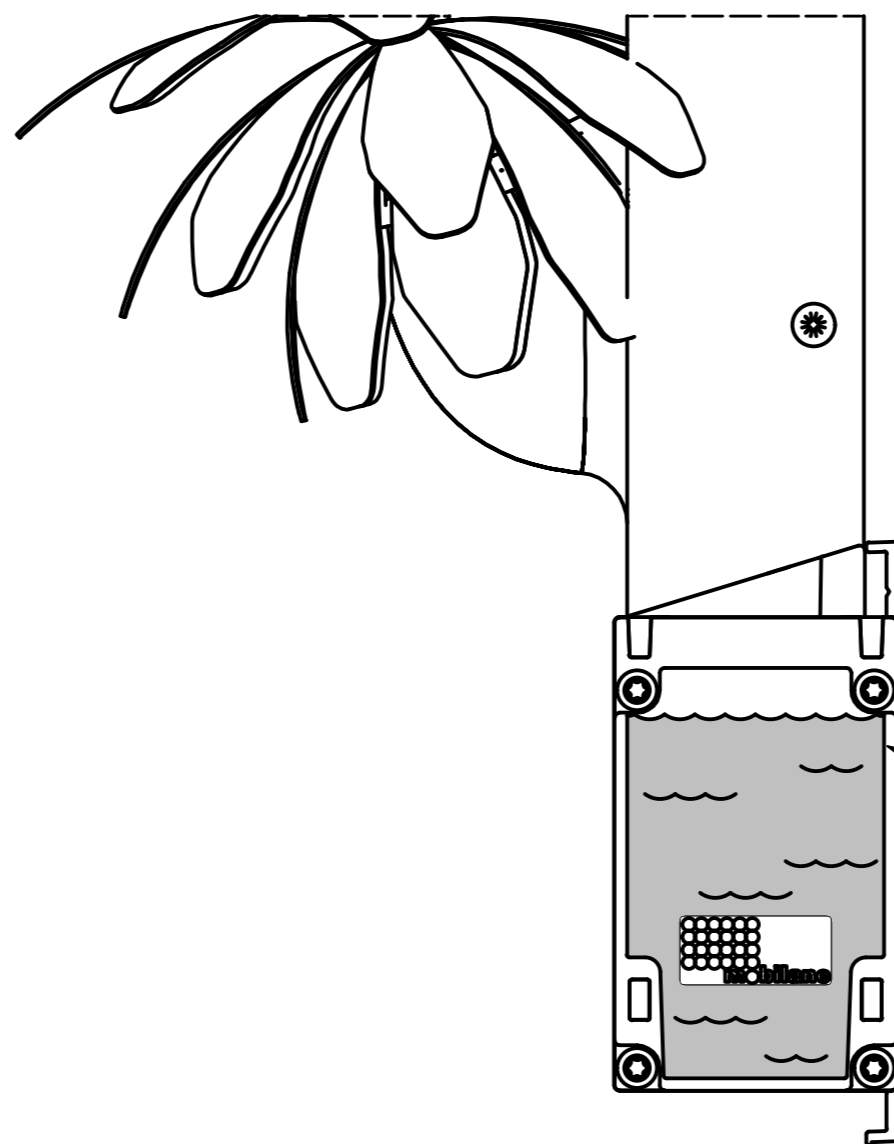
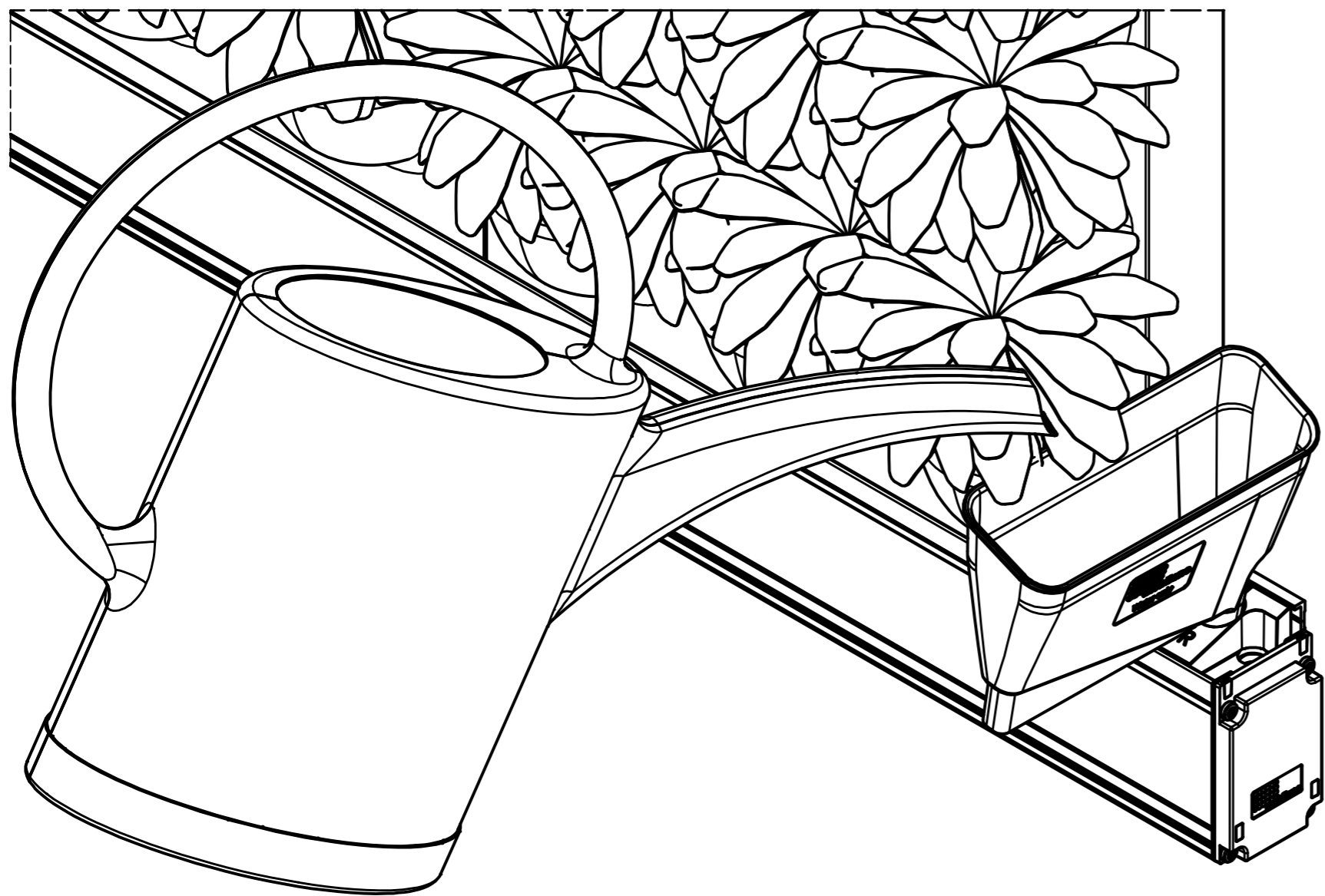
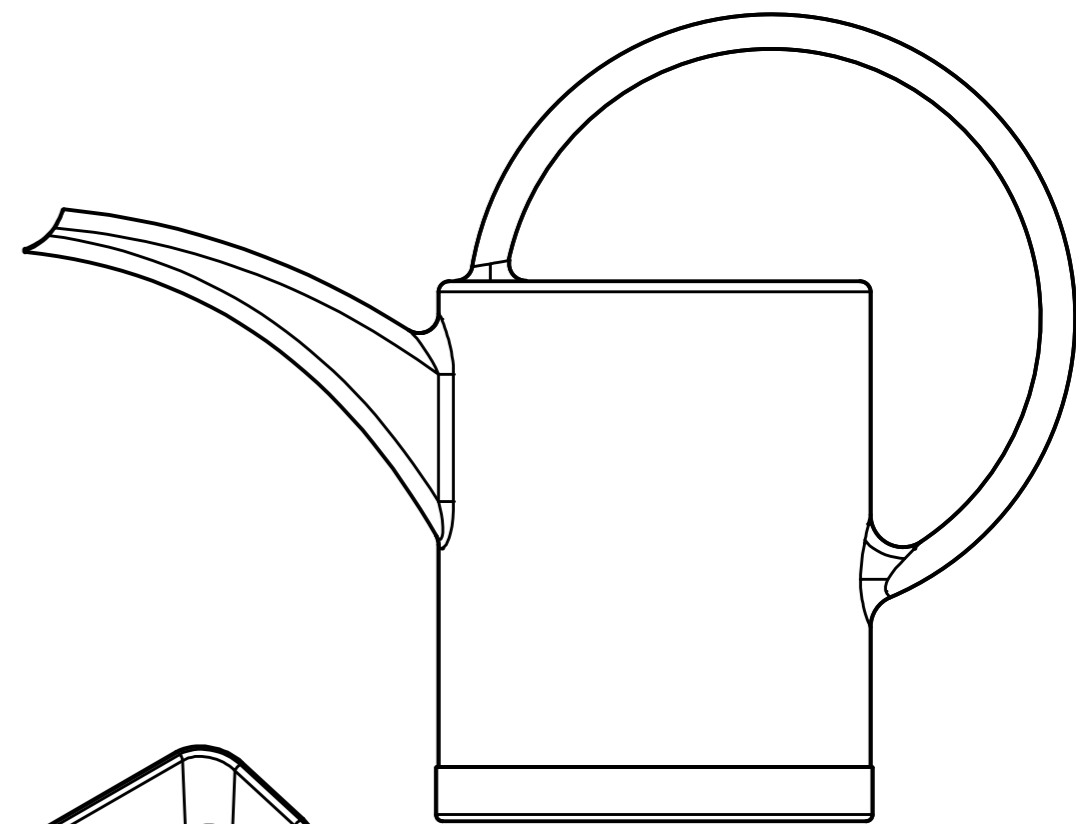
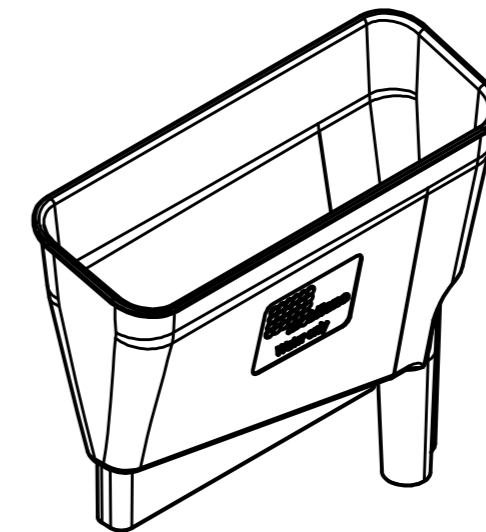
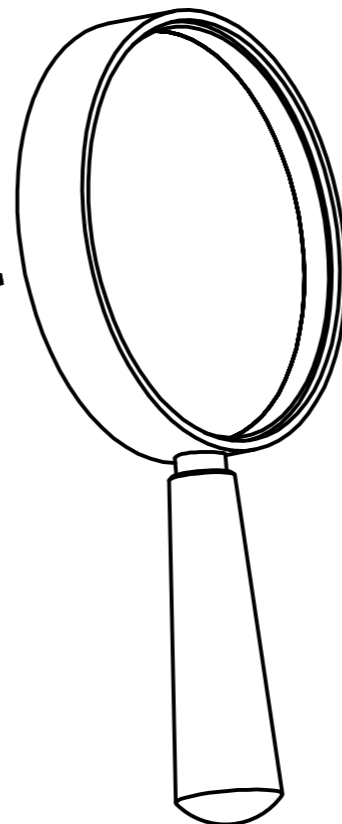


2x

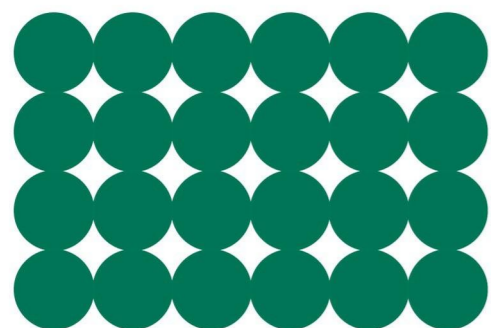
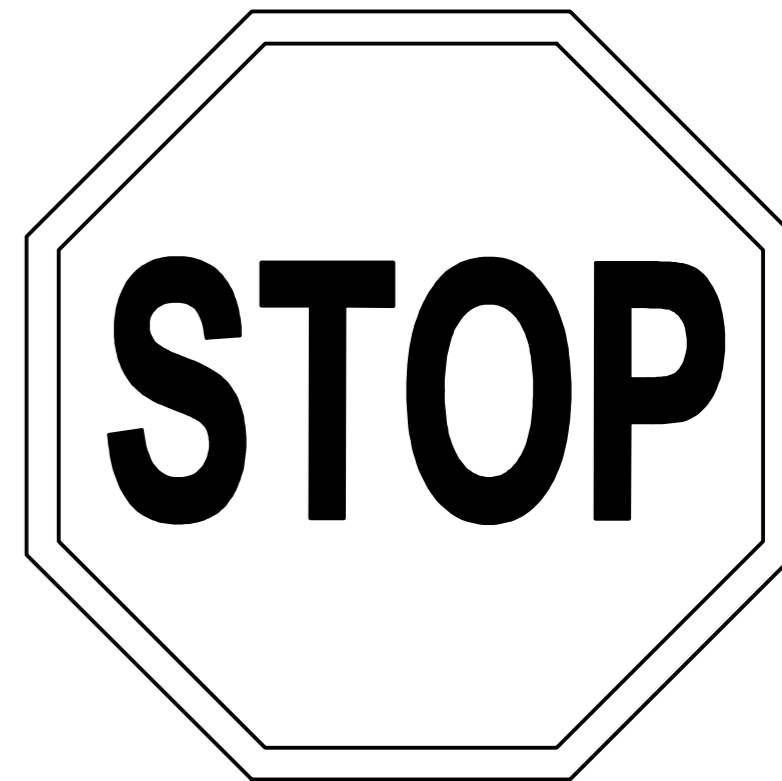
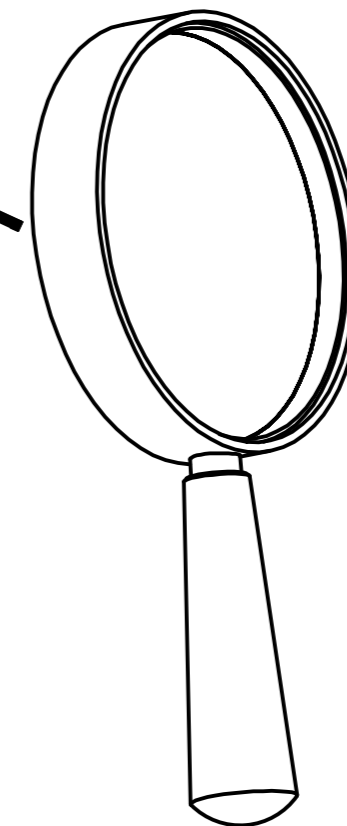
7



! = Fill



! =



mobilane