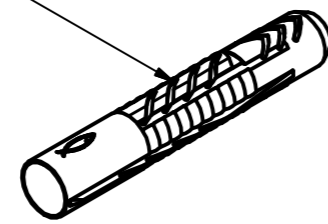


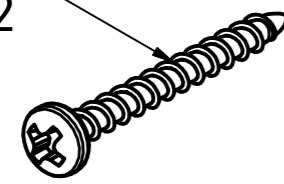
14-0122-99-06
fischer UX 8x50

32x



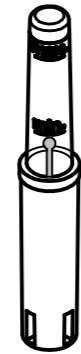
14-0122-99-07
fischer 5,0x60 CK RVS A2

32x



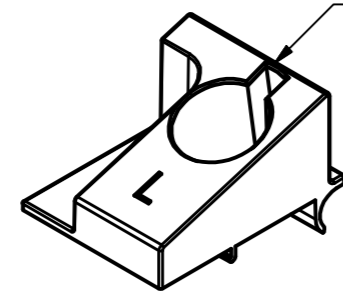
16-0151-99-01
Water Level Meter

4x



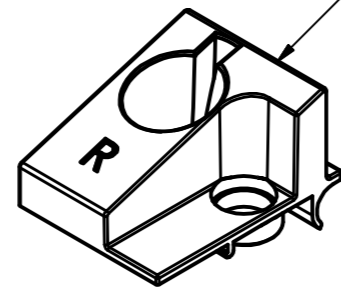
16-0151-01-01
Funnel Block Left

4x



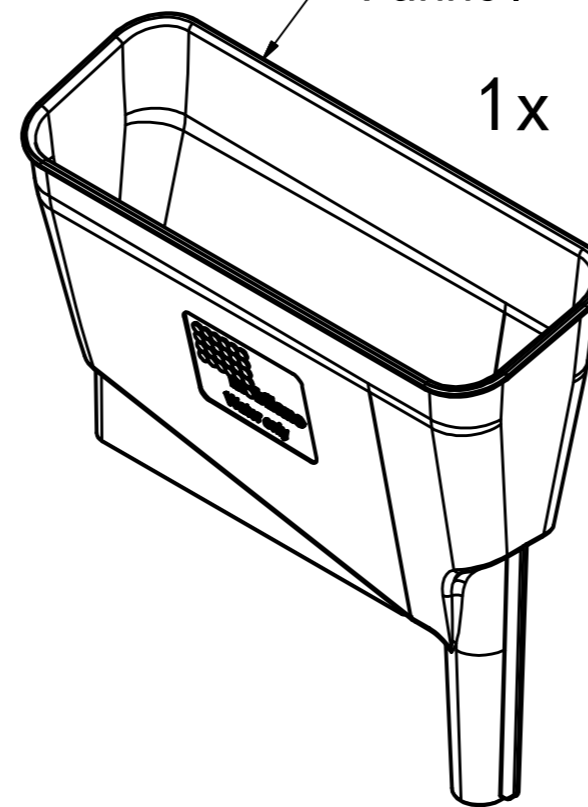
16-0151-01-02
Funnel Block Right

4x



15-0089-00-01
Funnel

1x



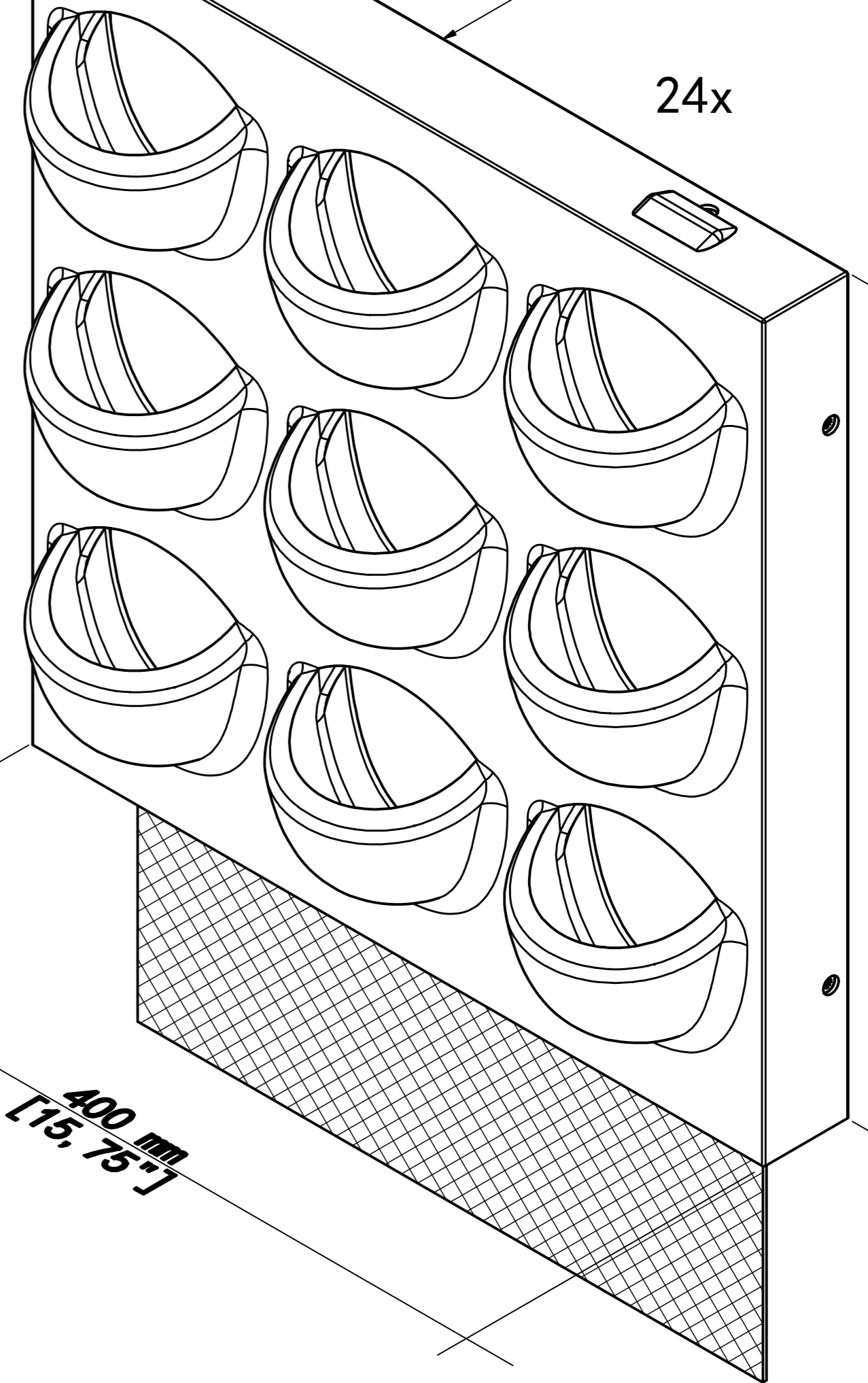
50x

14-0122-00-09
Cassette Clip



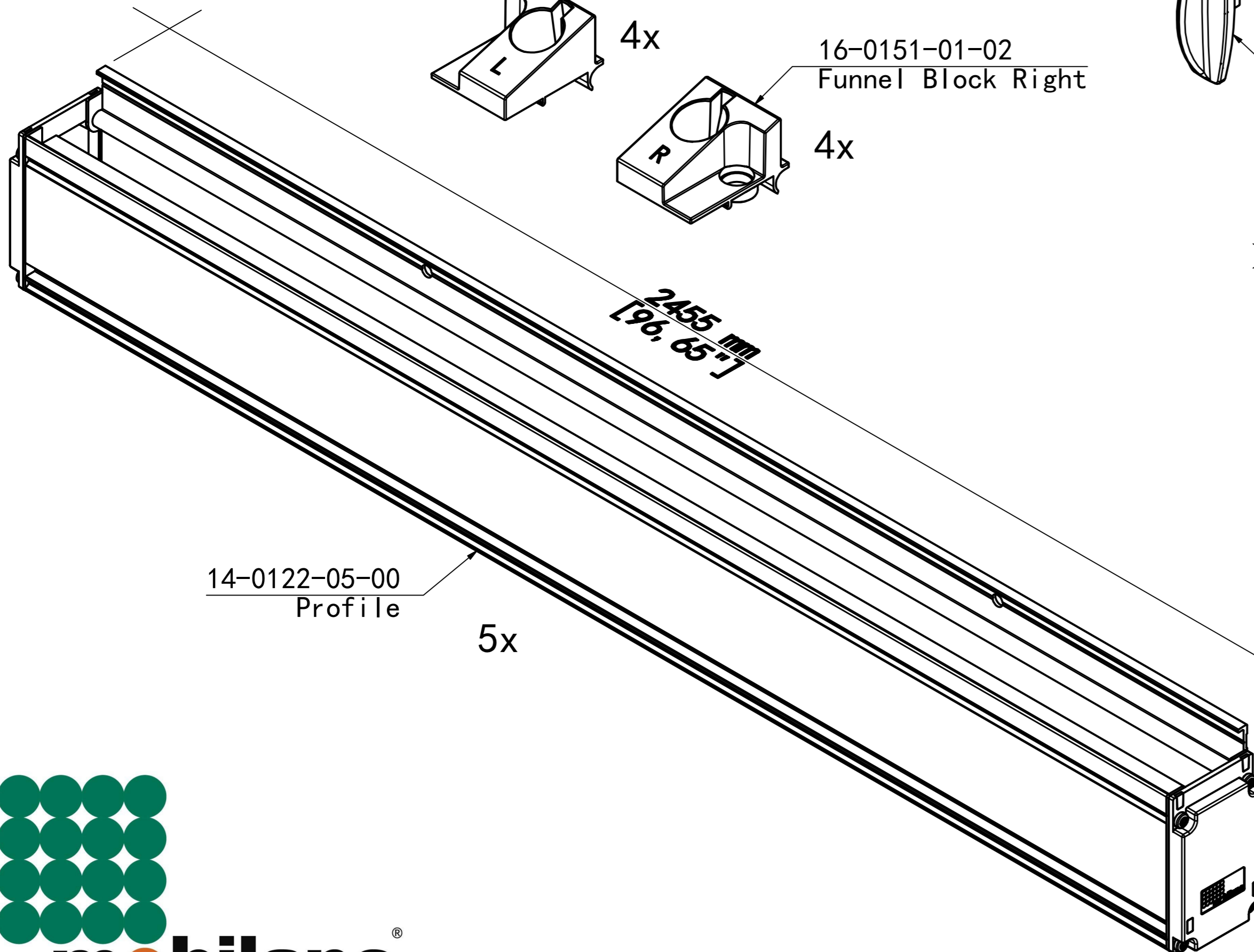
14-0179-01-00
Cassette

24x



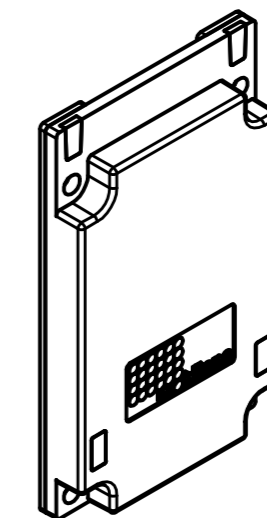
14-0122-05-00
Profile

5x



14-0122-00-12
Endcap

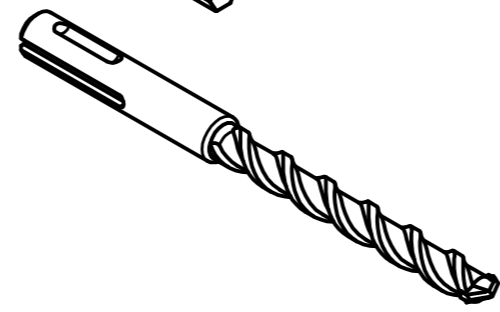
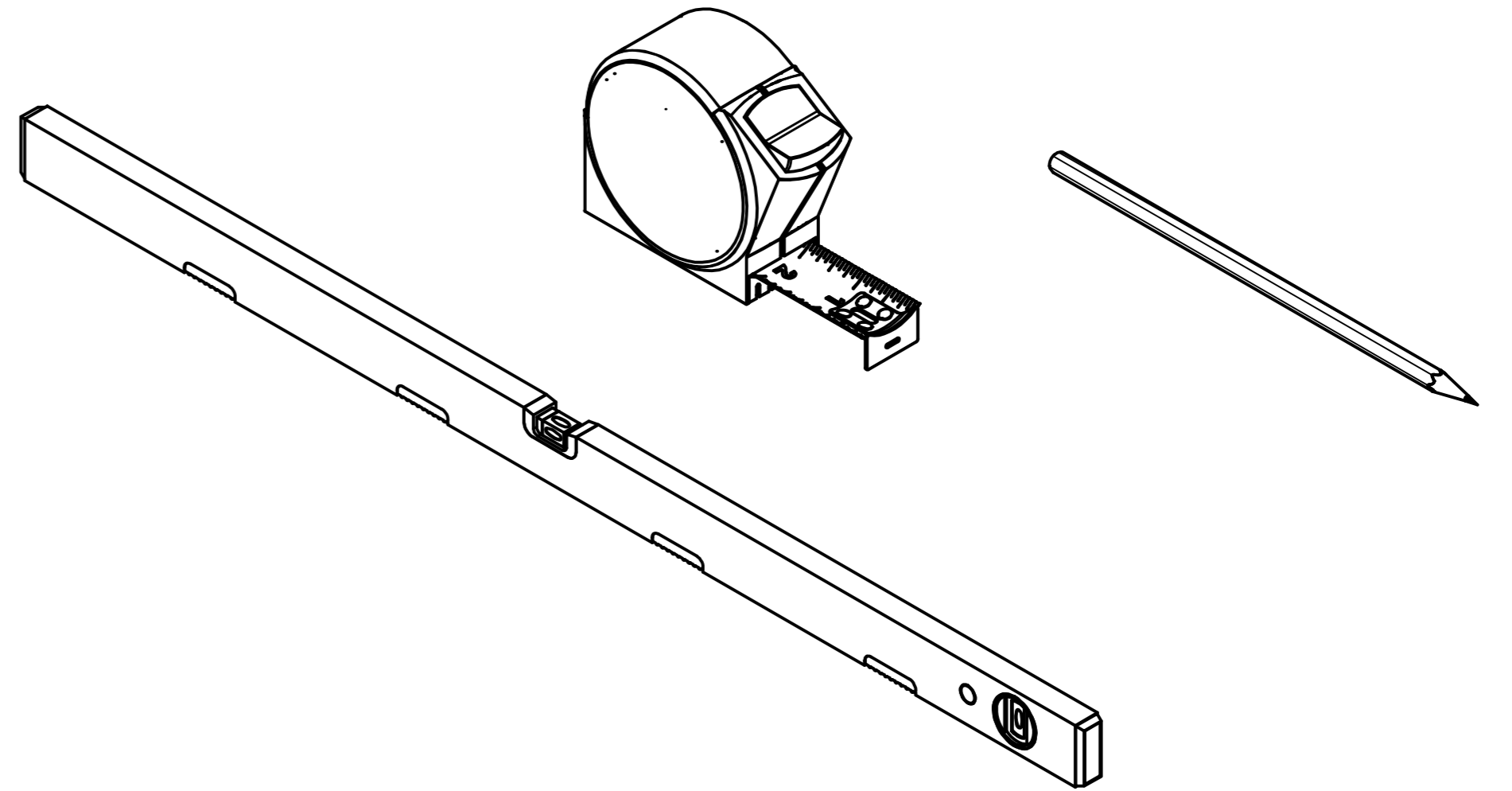
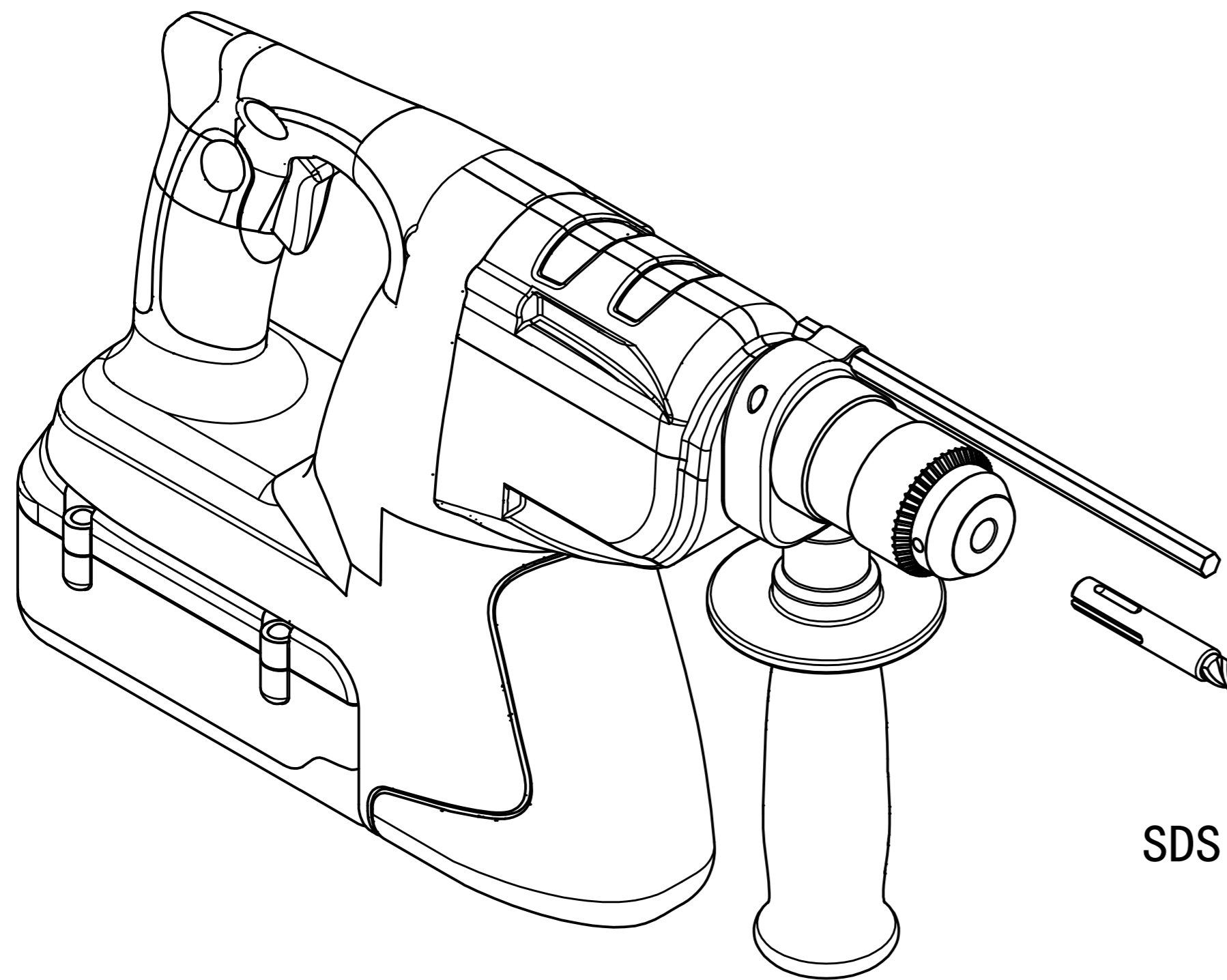
1x



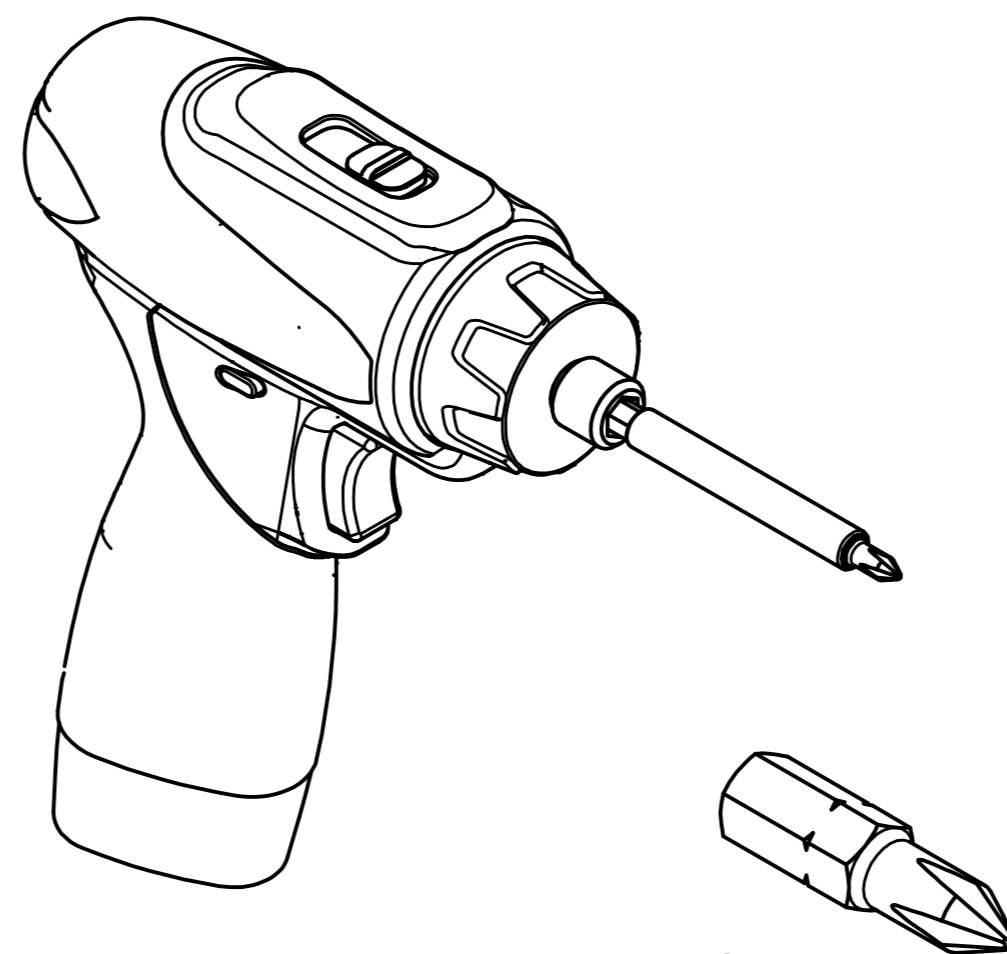
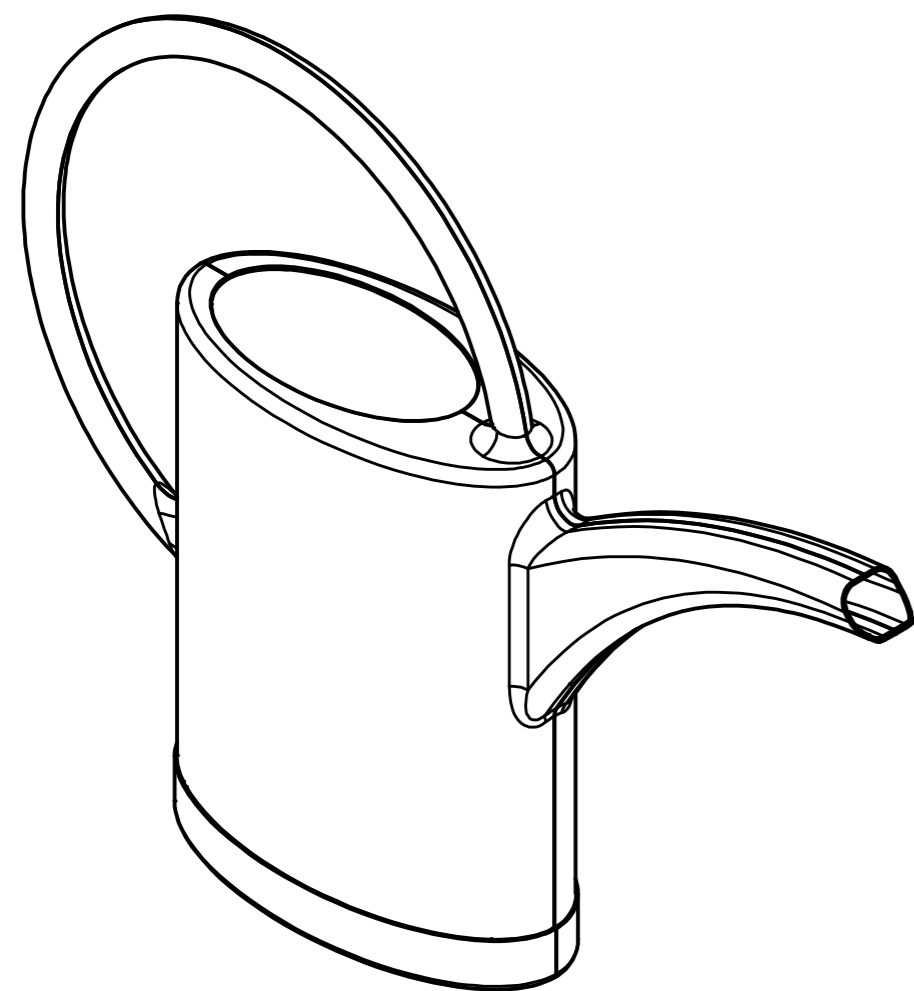
14-0122-99-05
DIN-7981/A2 3,9x19 T15

4x

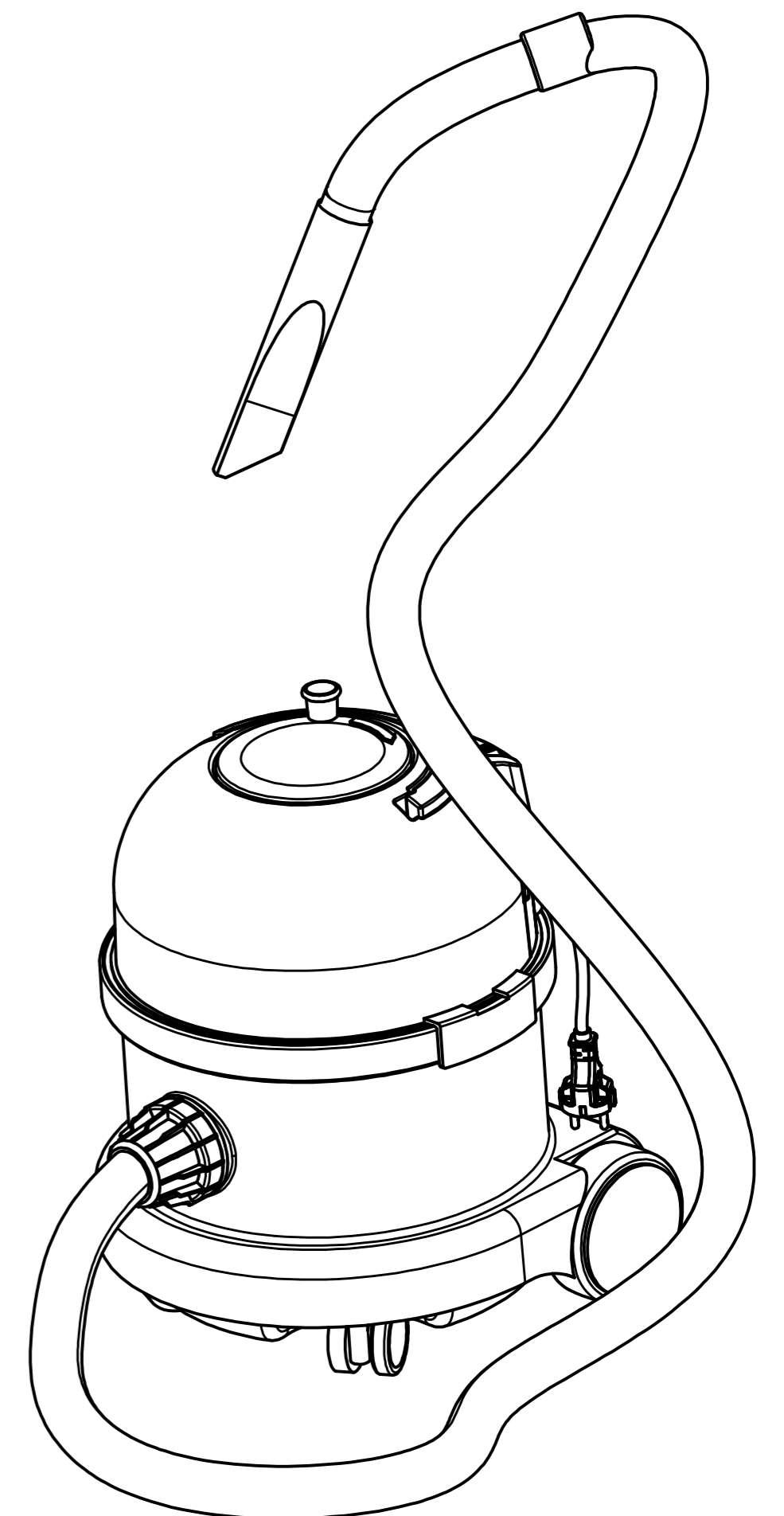




SDS 8 mm [5/16"]

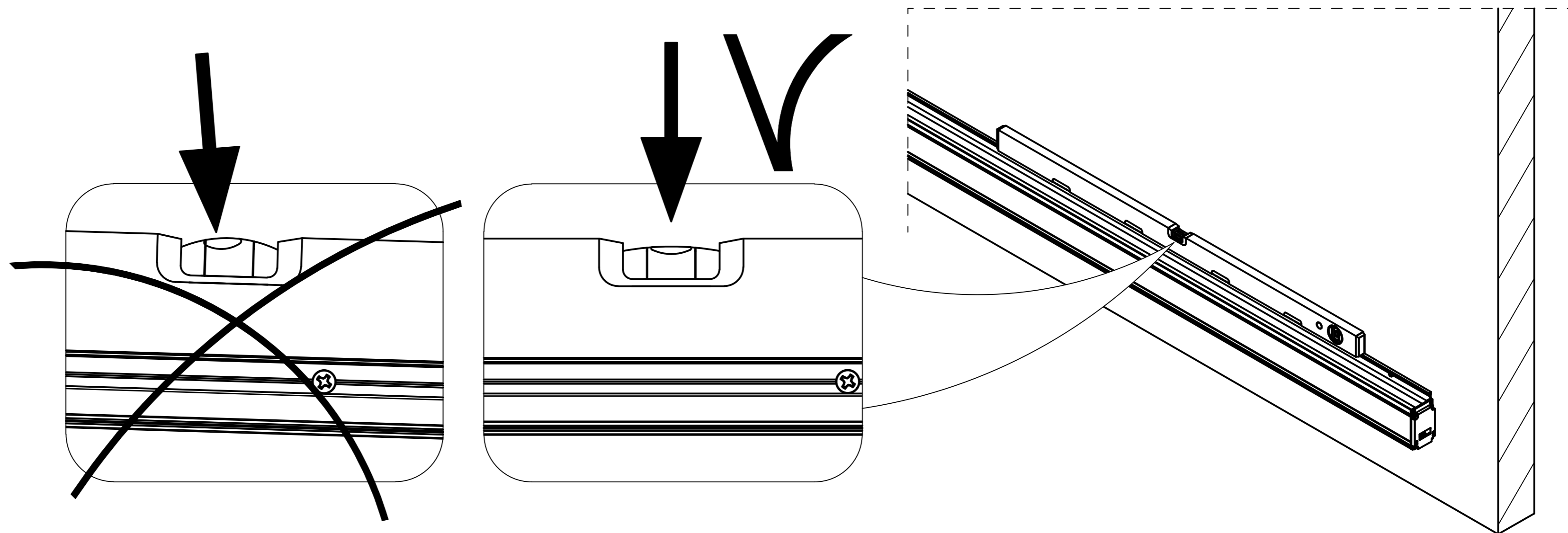
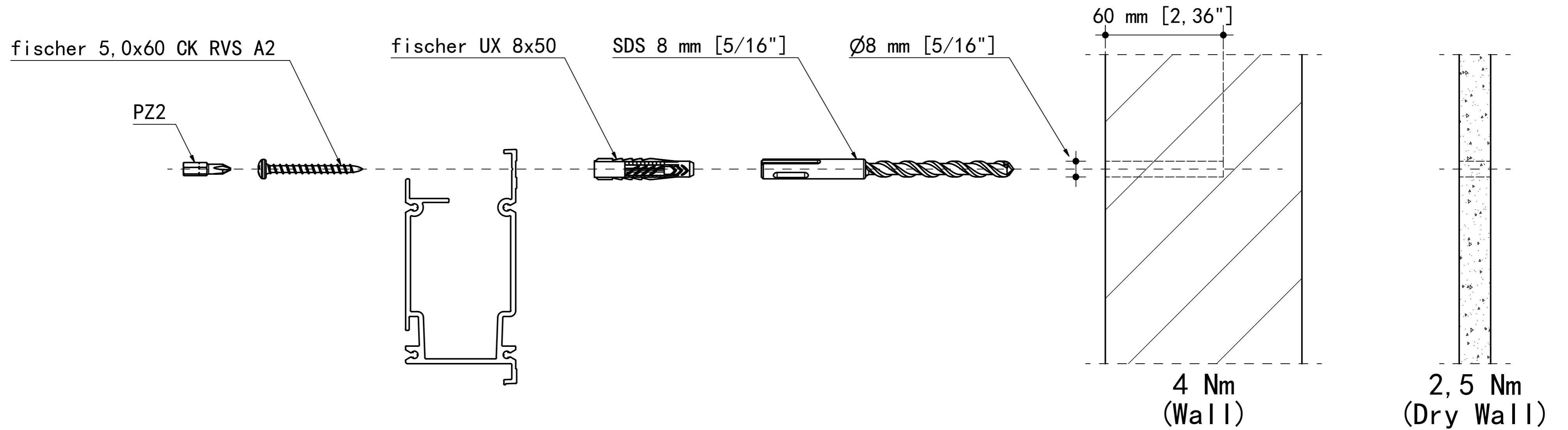


PZ2



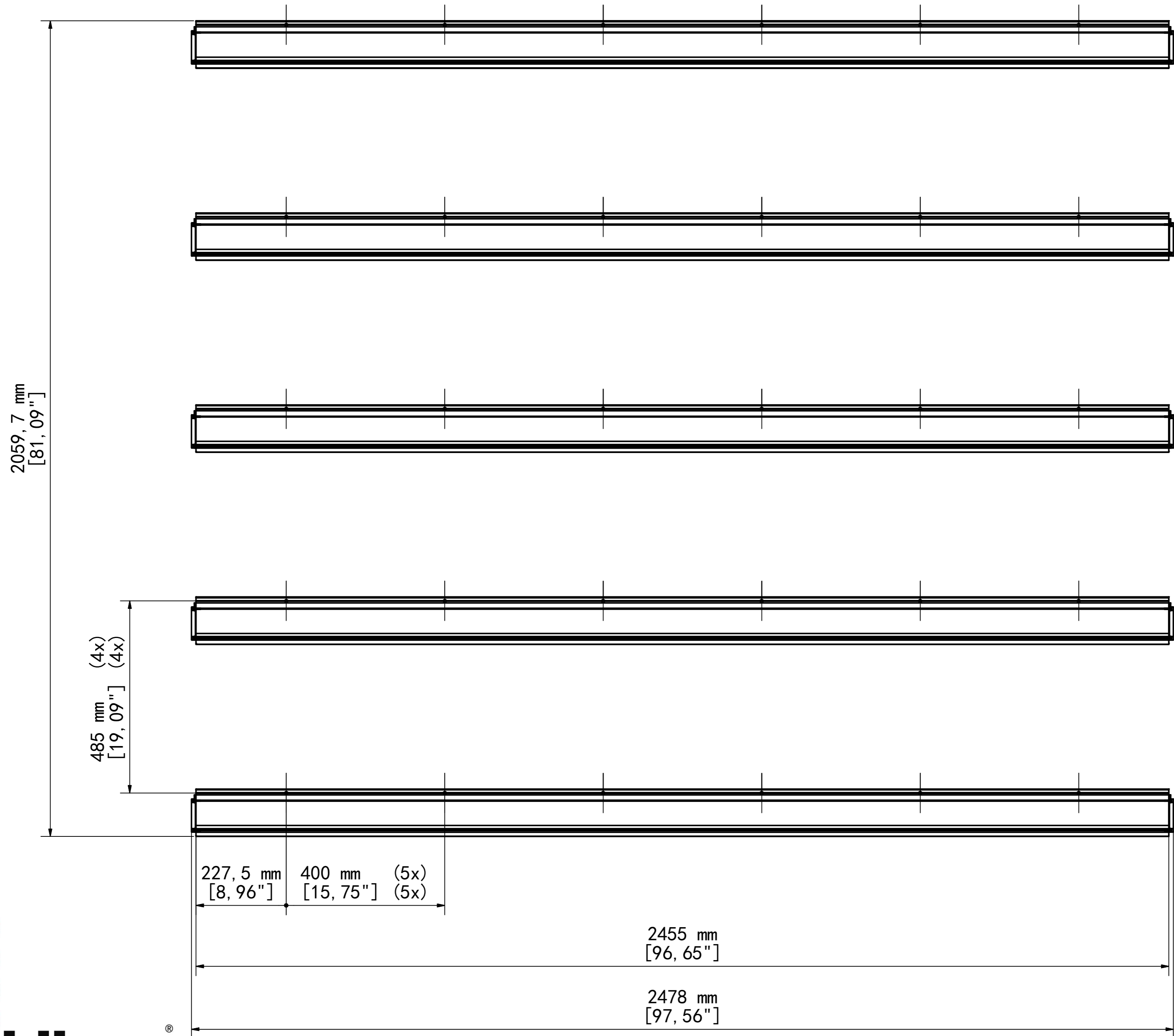
1A

USE DRILL PATTERN (1B)

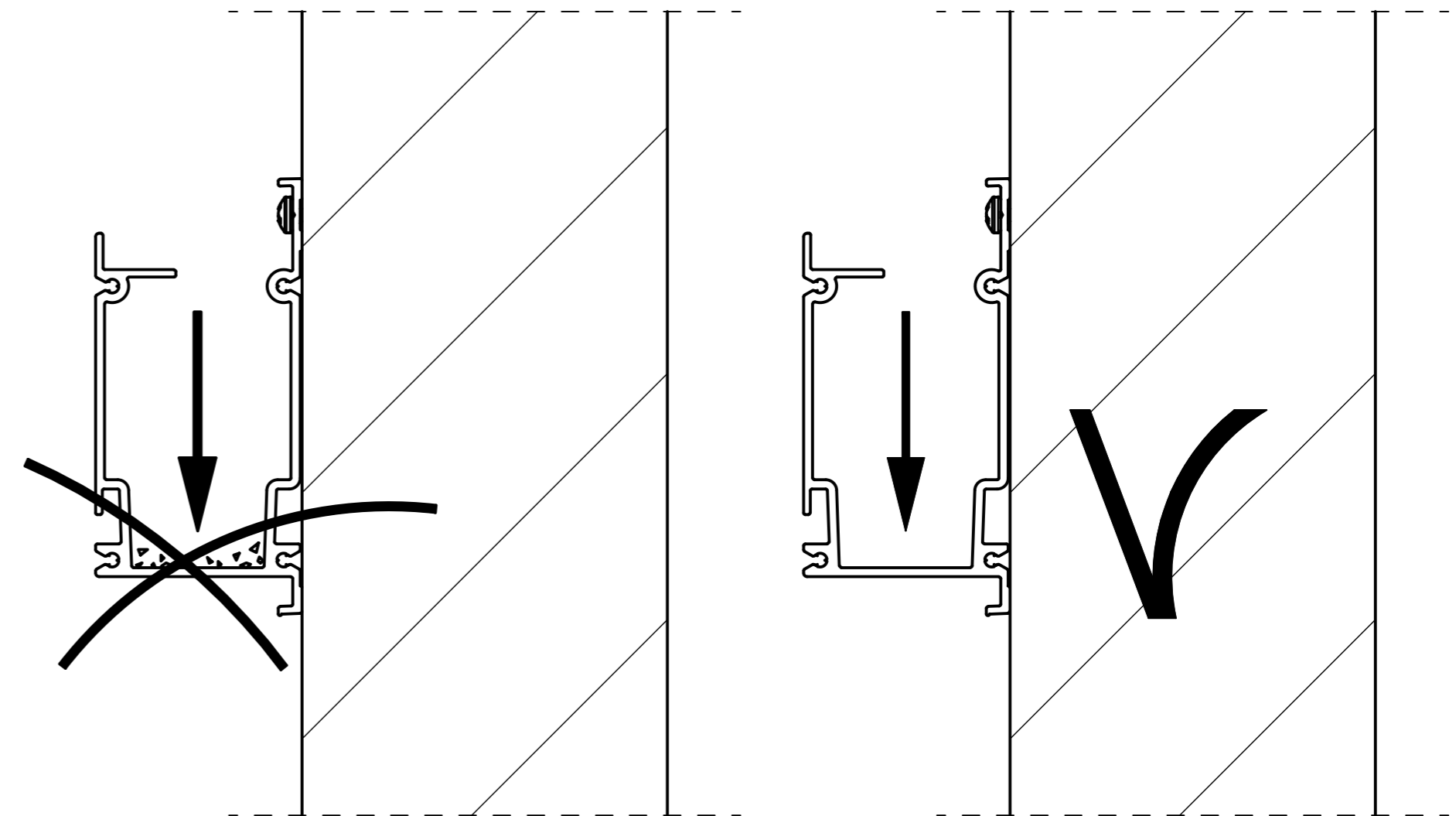
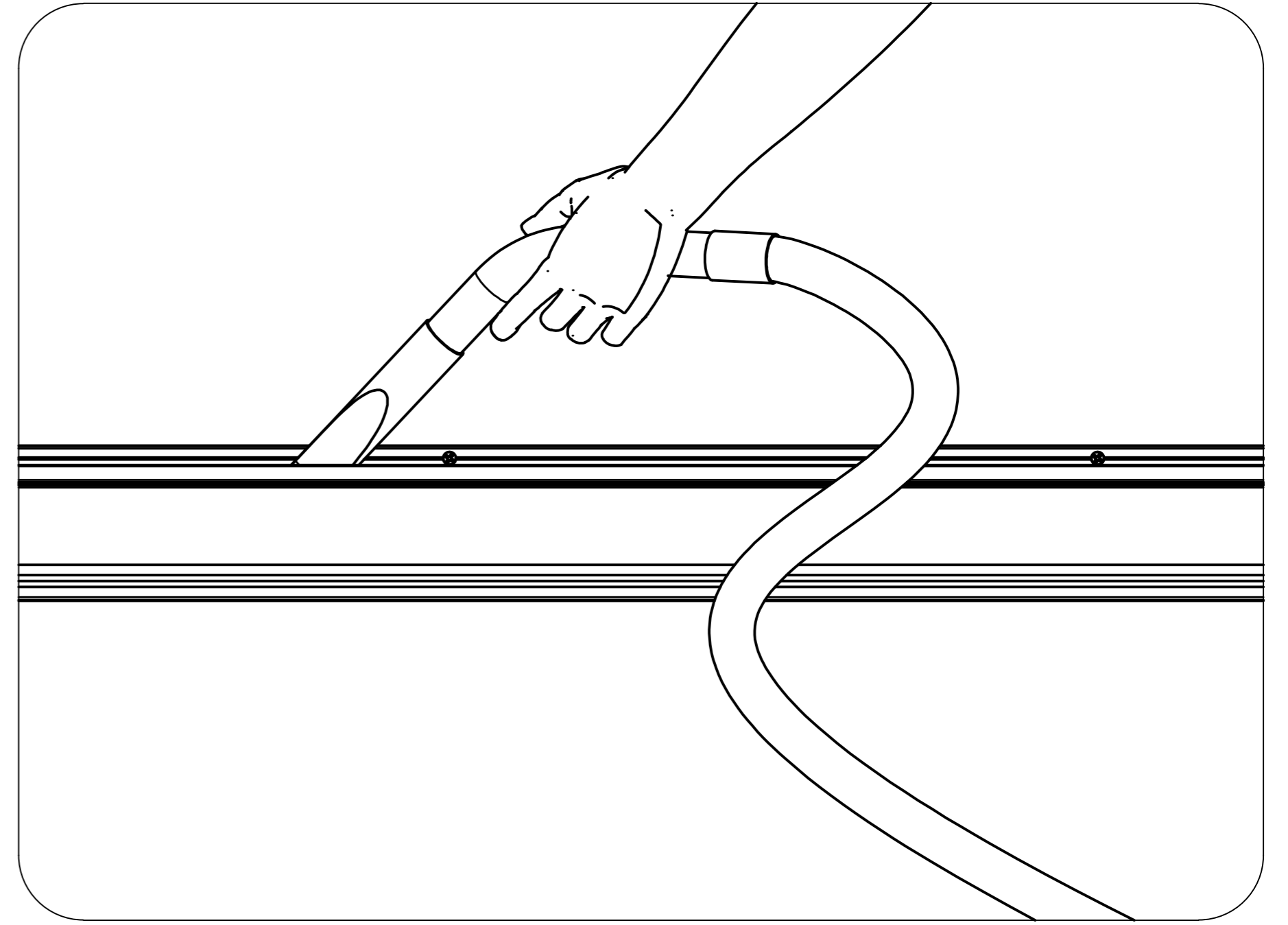
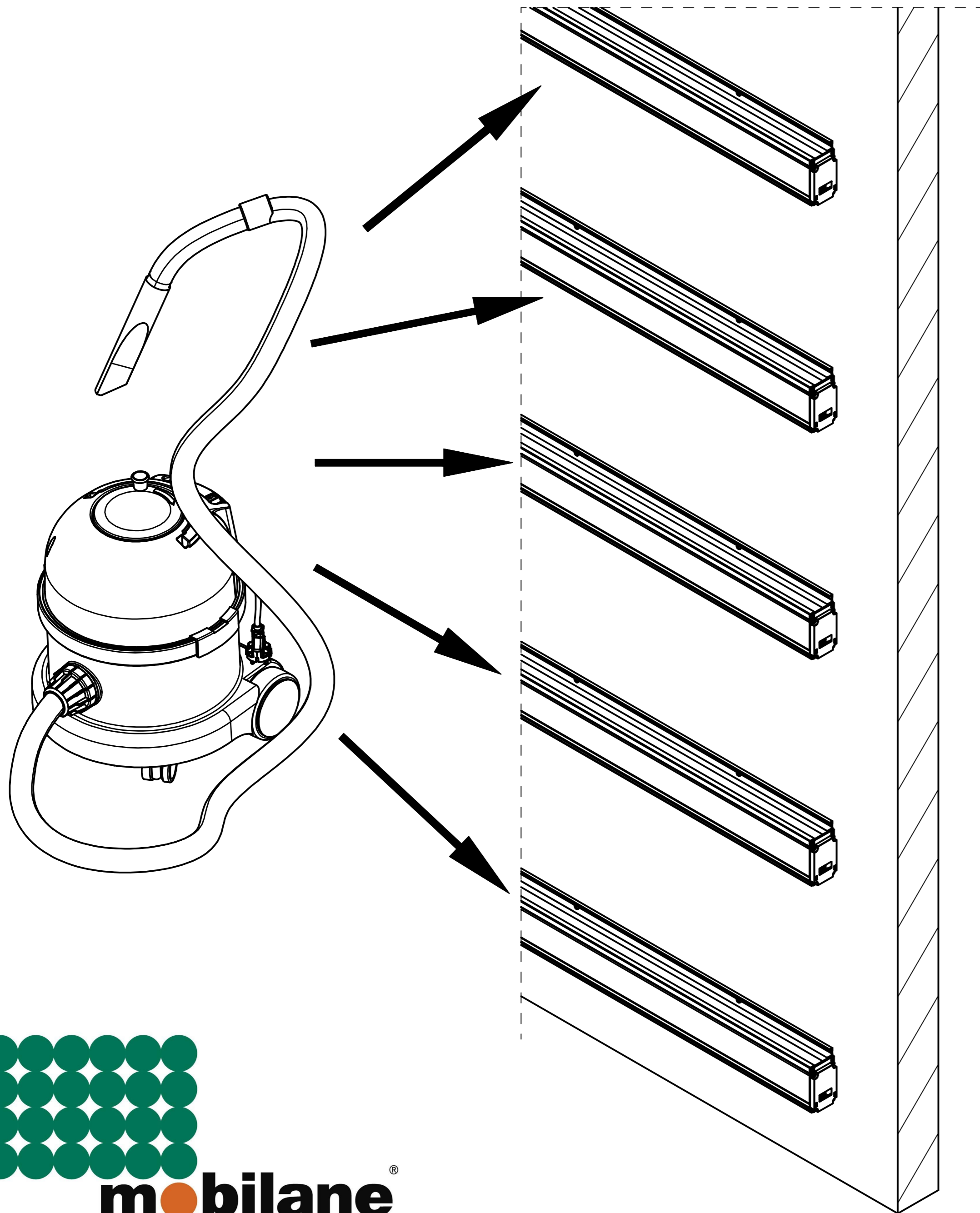


1B

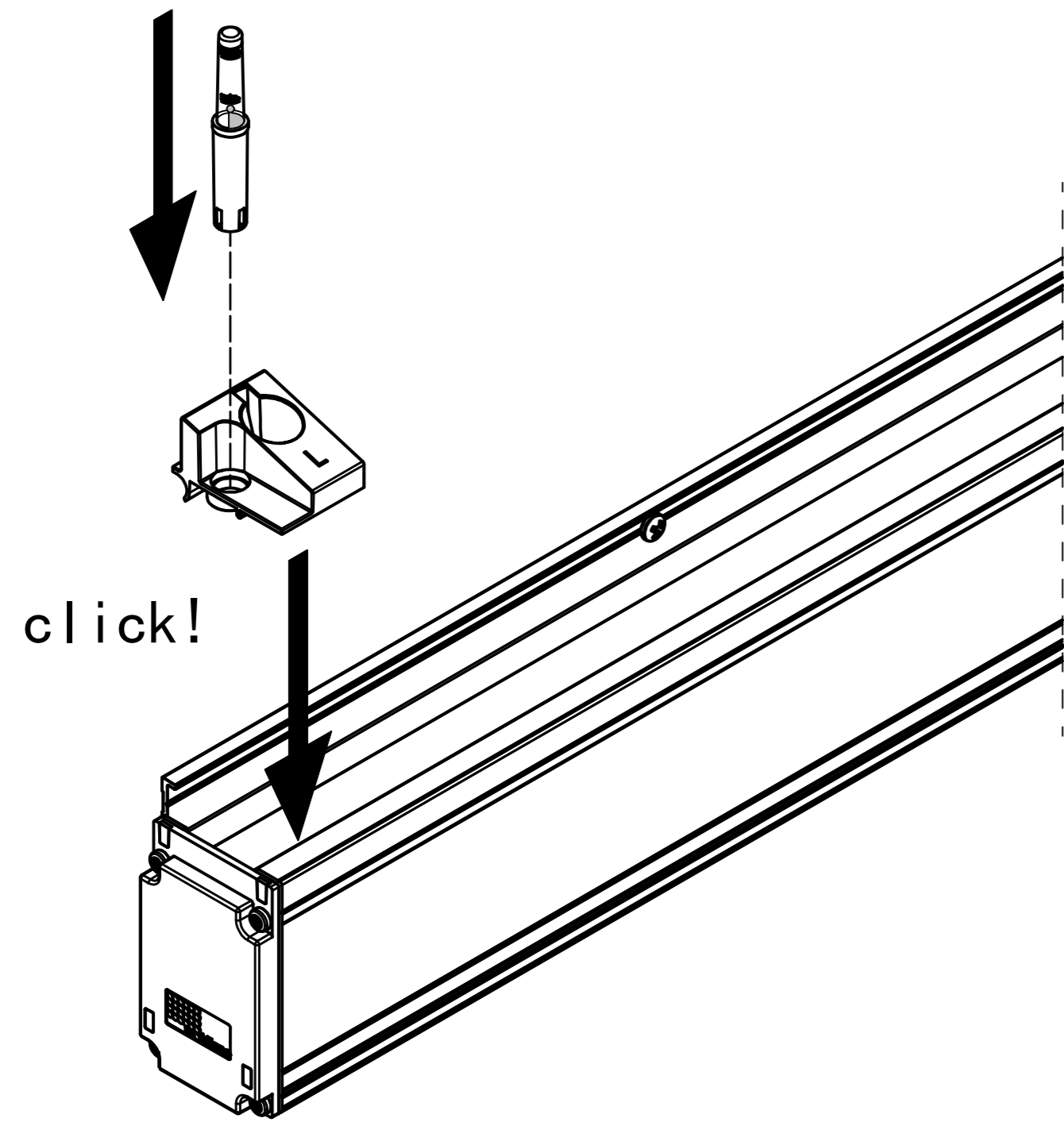
DRILL PATTERN



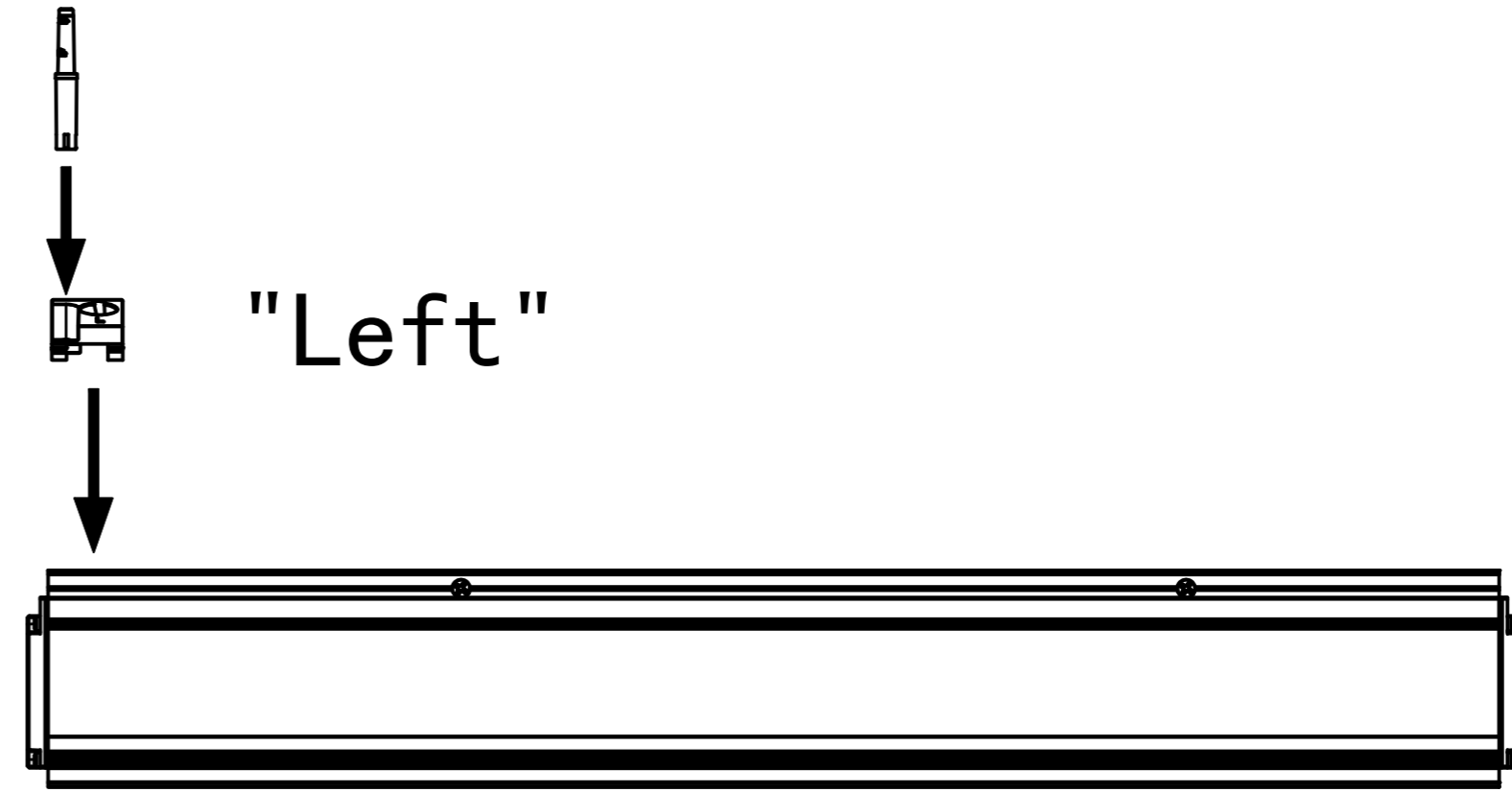
2



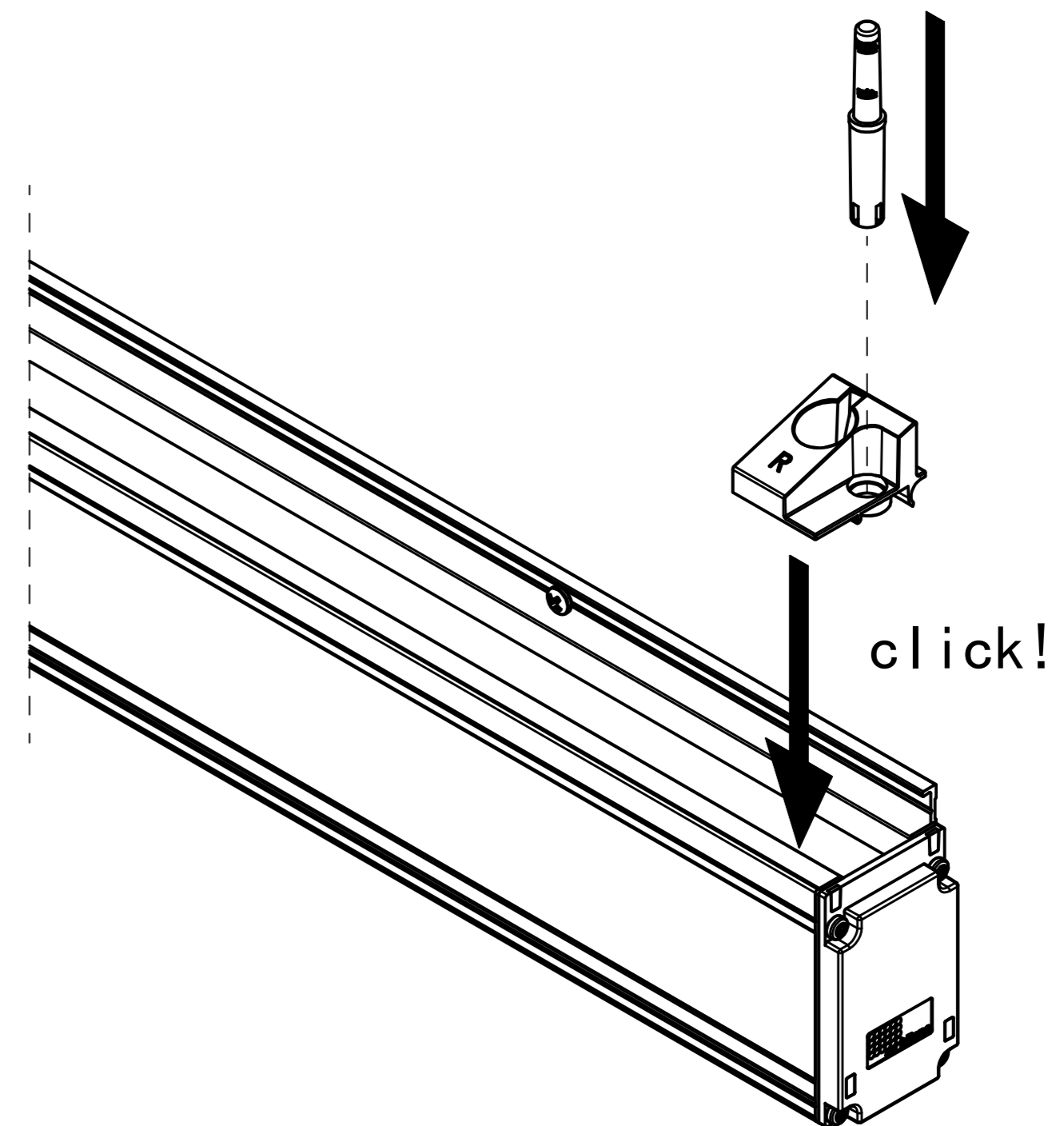
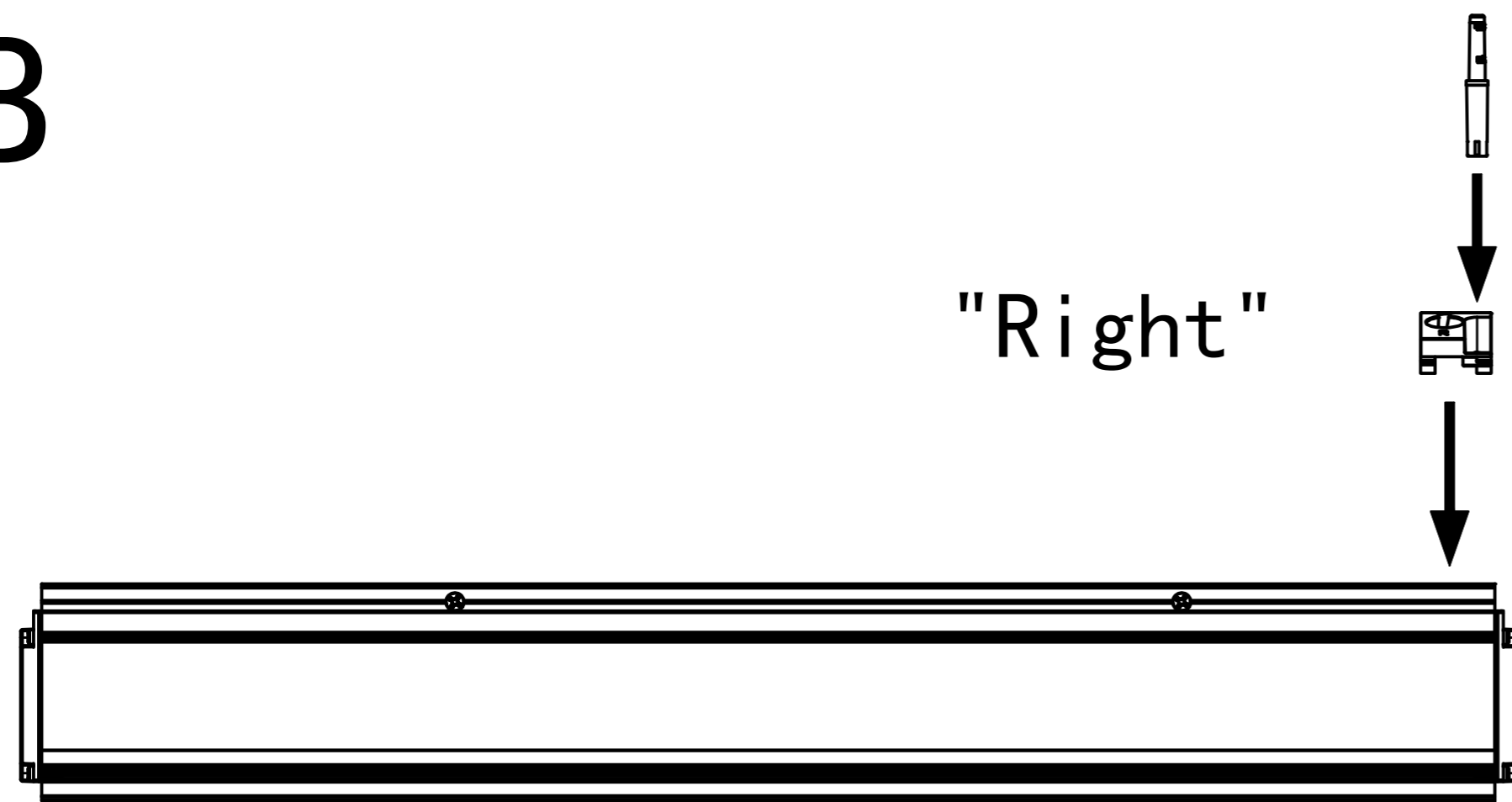
3A



CHOOSE
3A: "LEFT" OR 3B: "RIGHT"



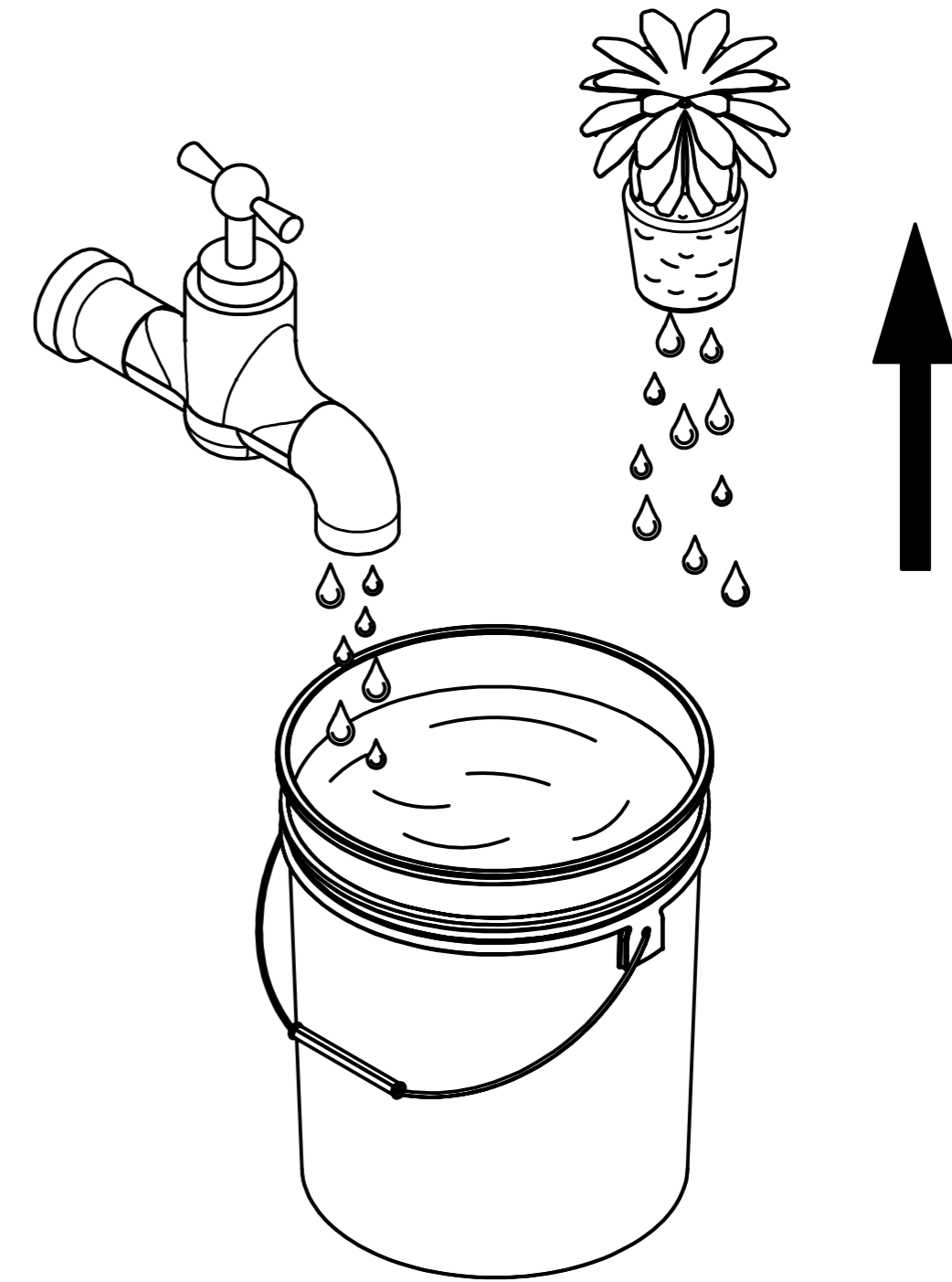
3B



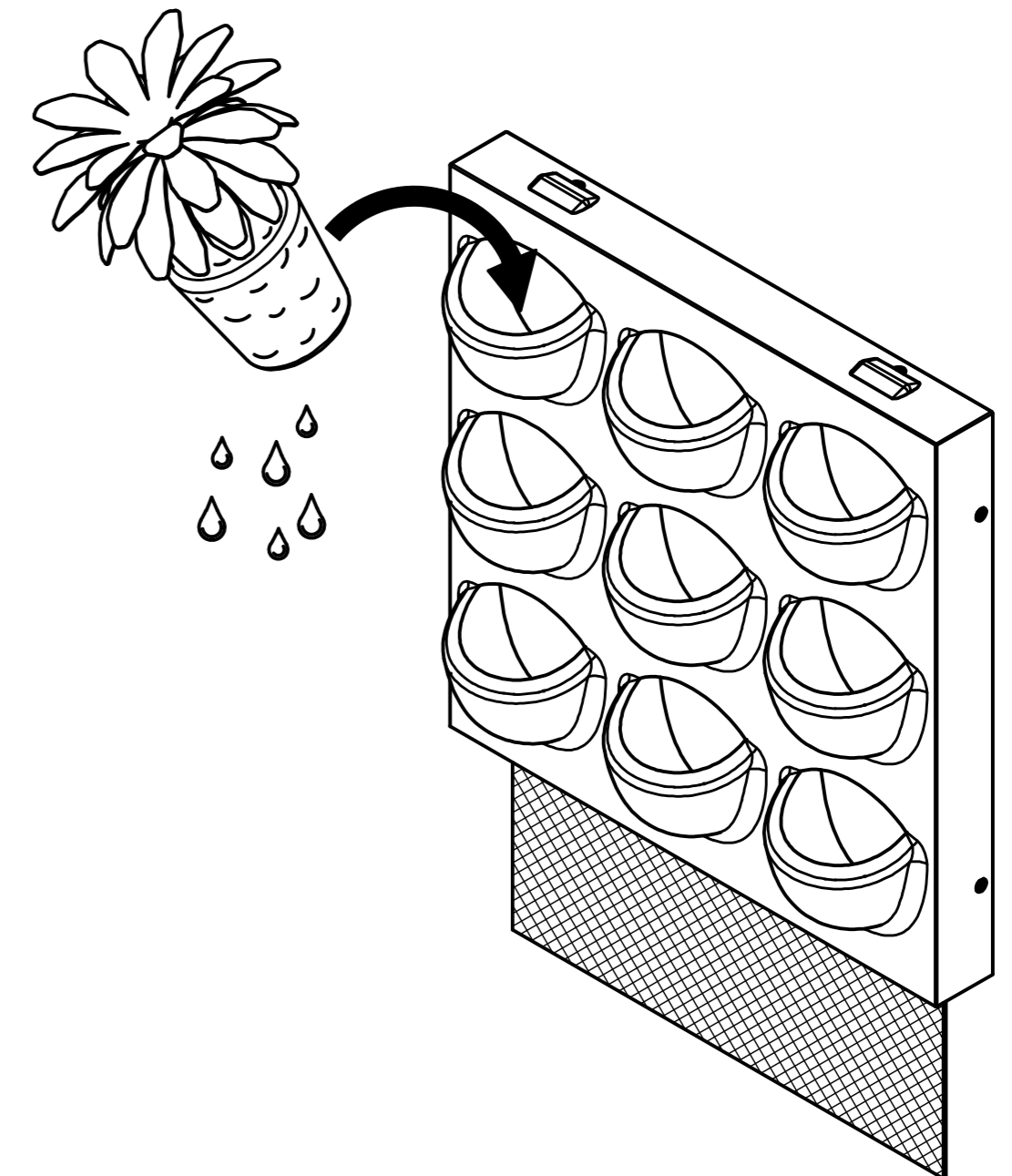
4A



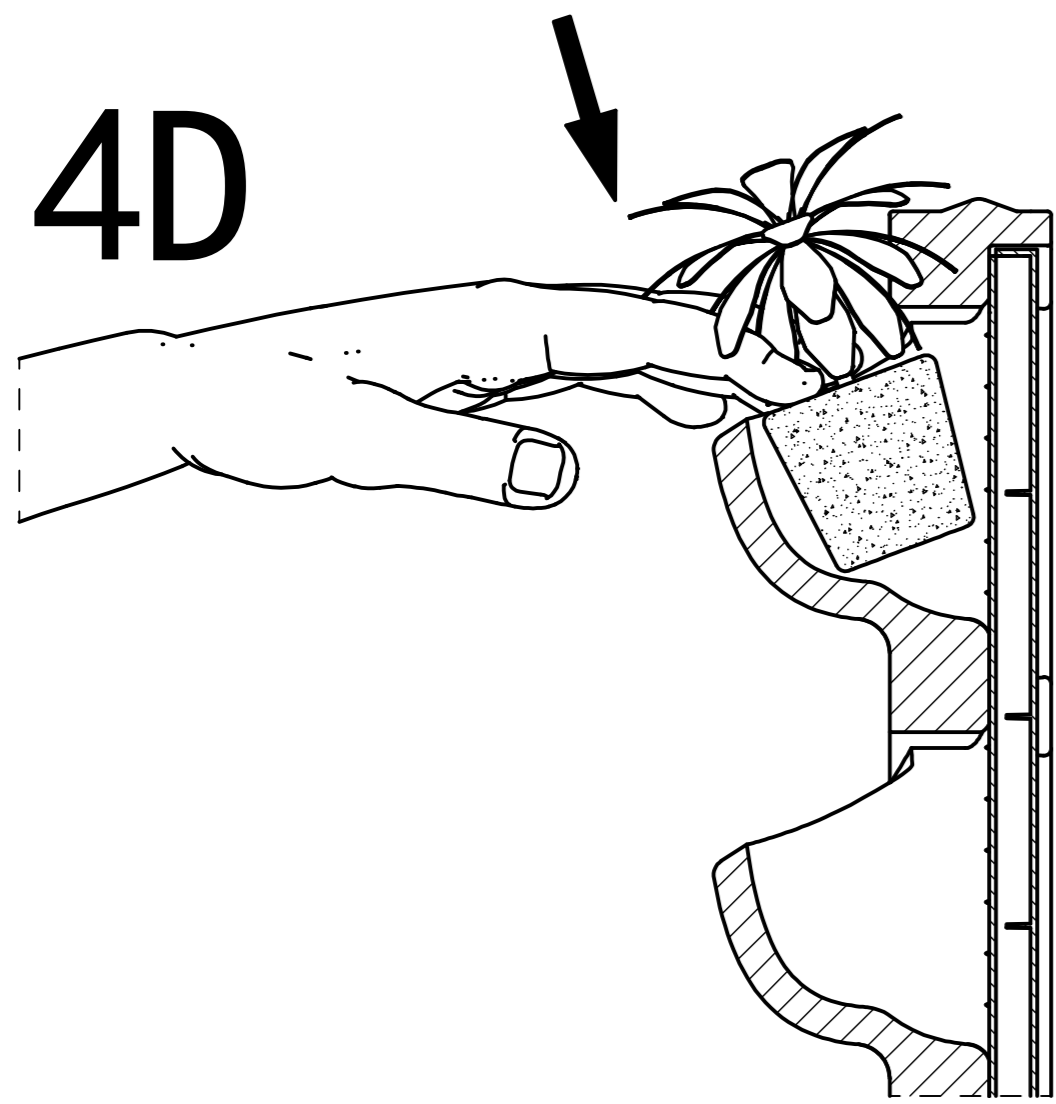
4B



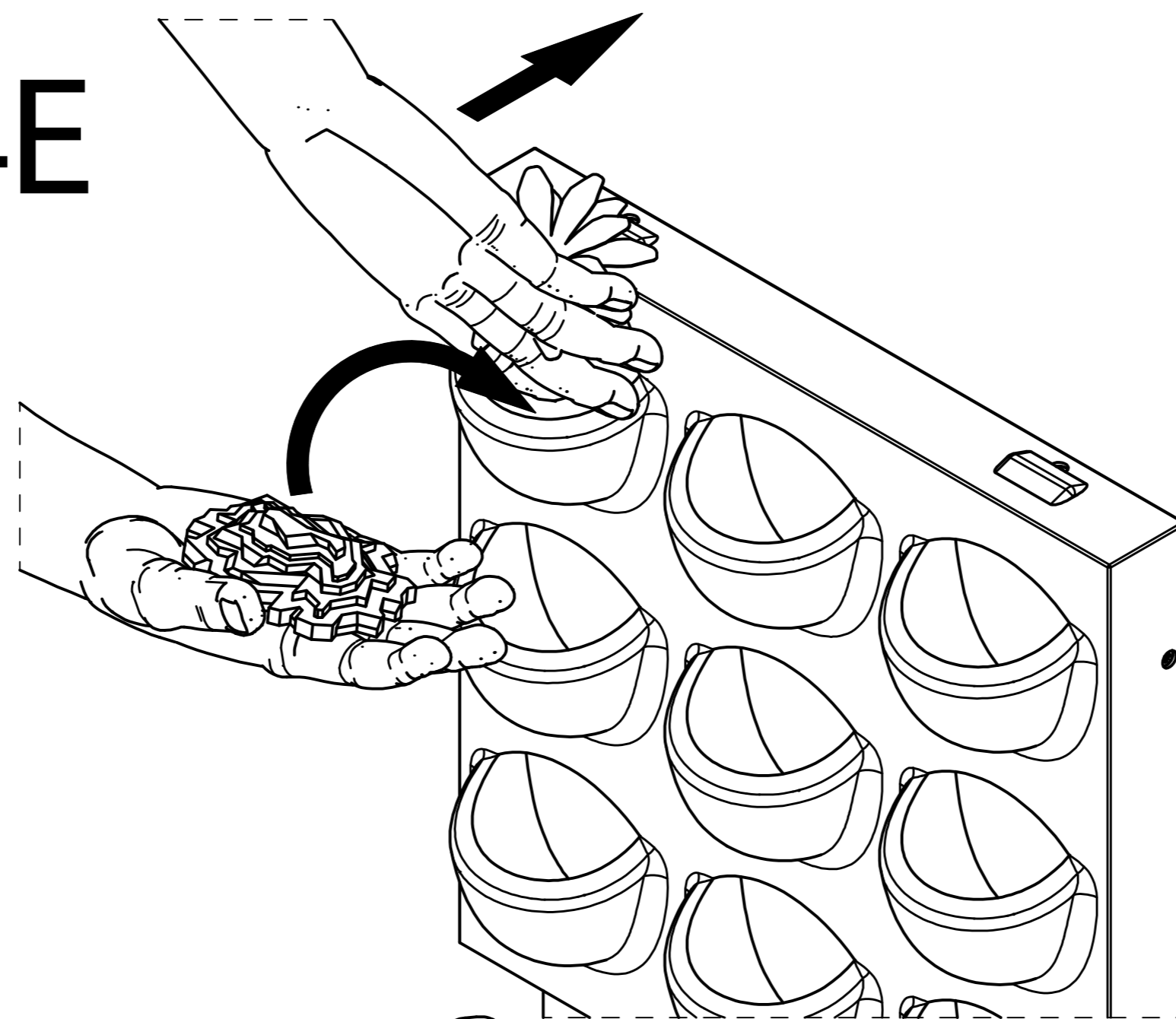
4C



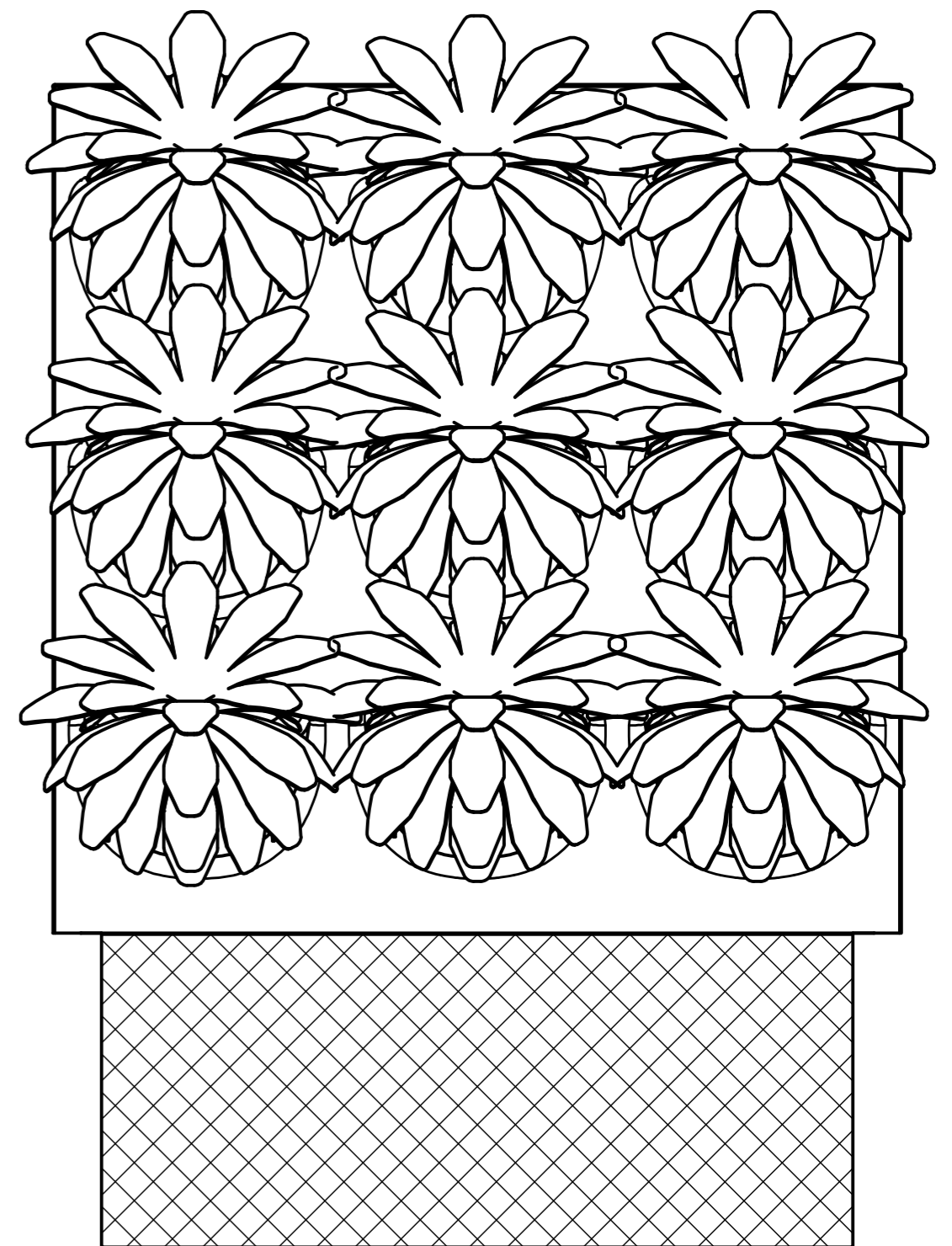
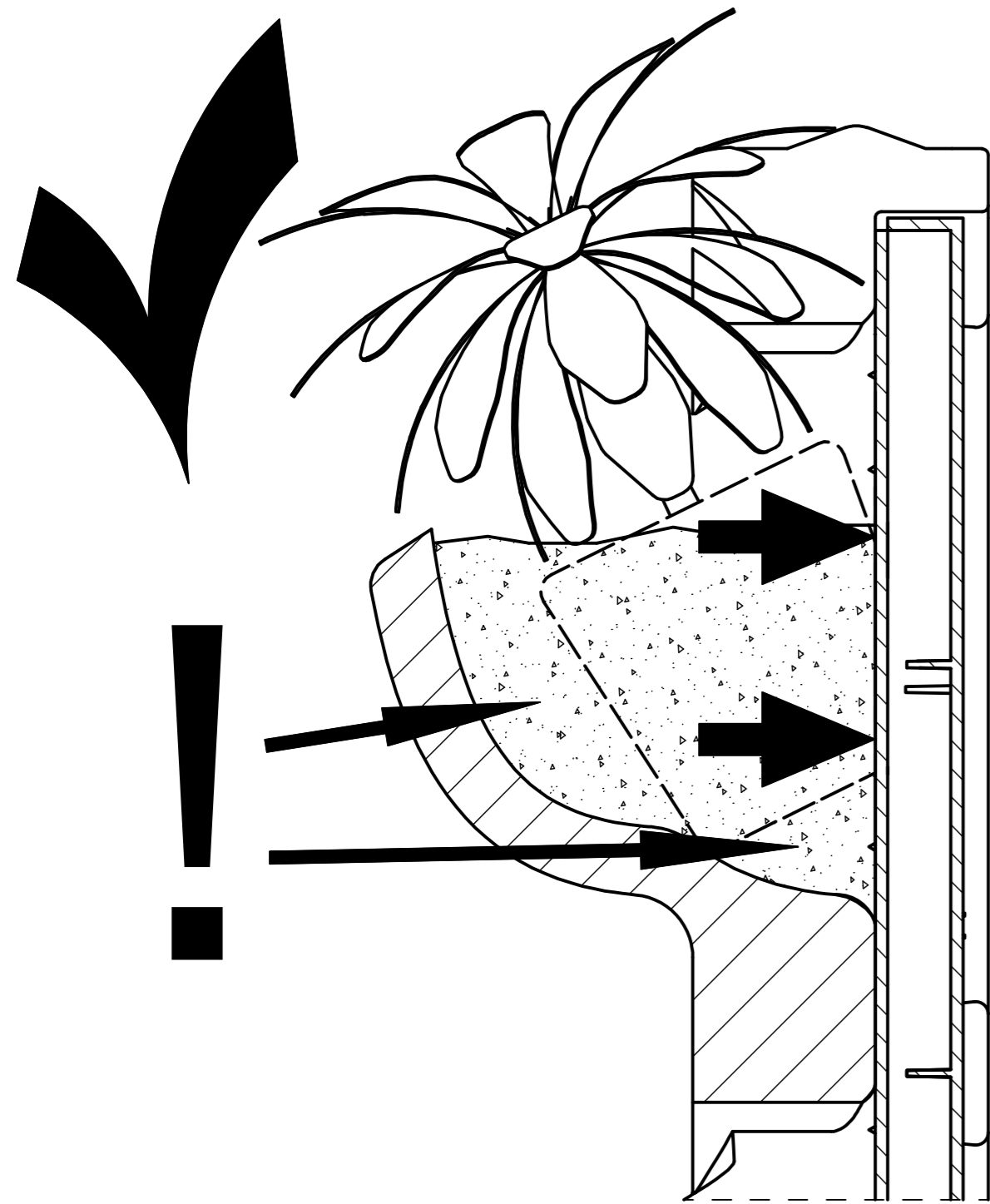
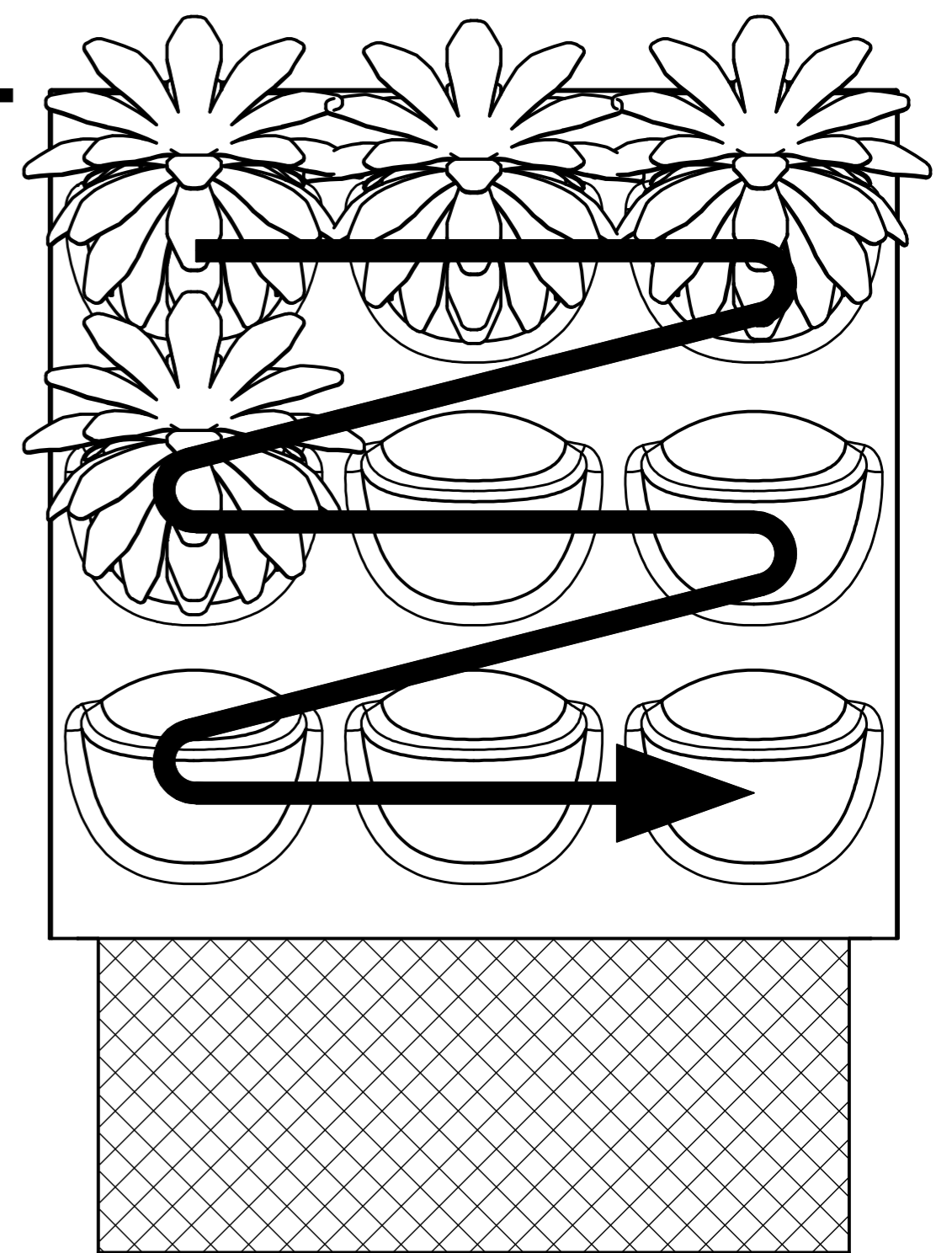
4D



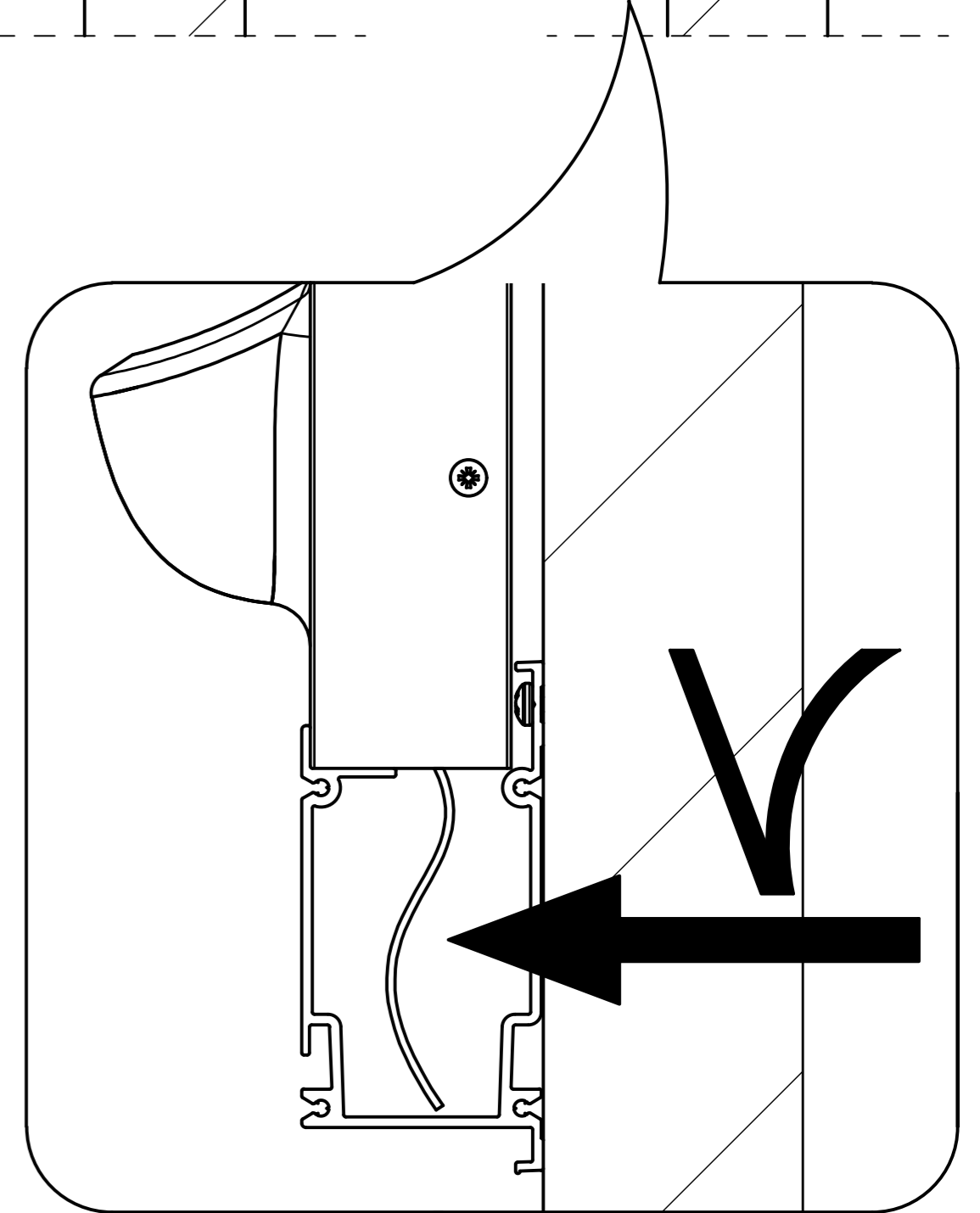
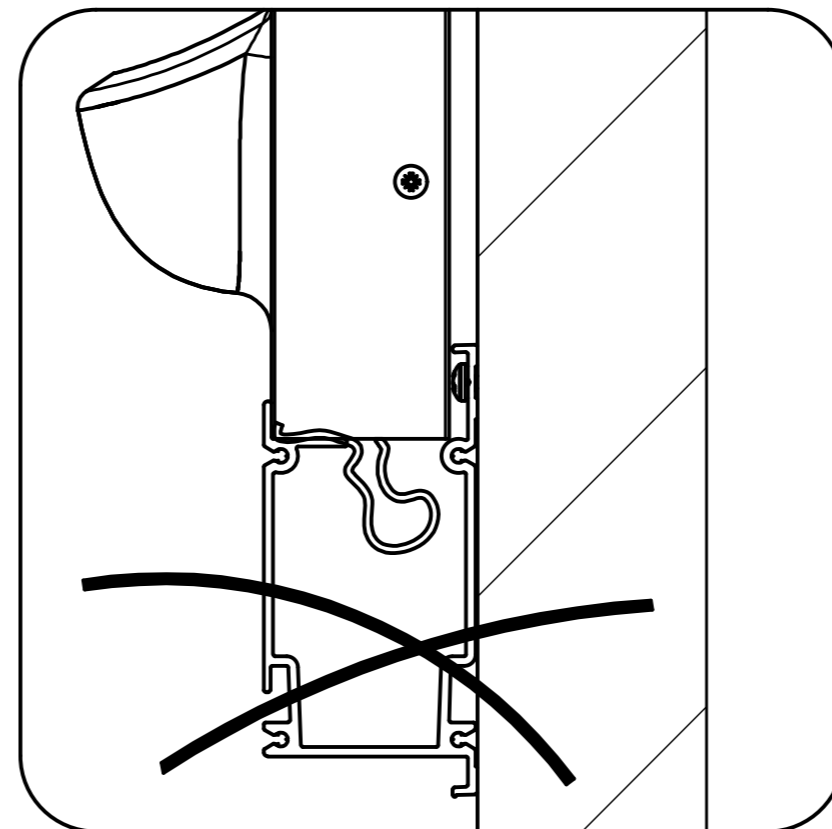
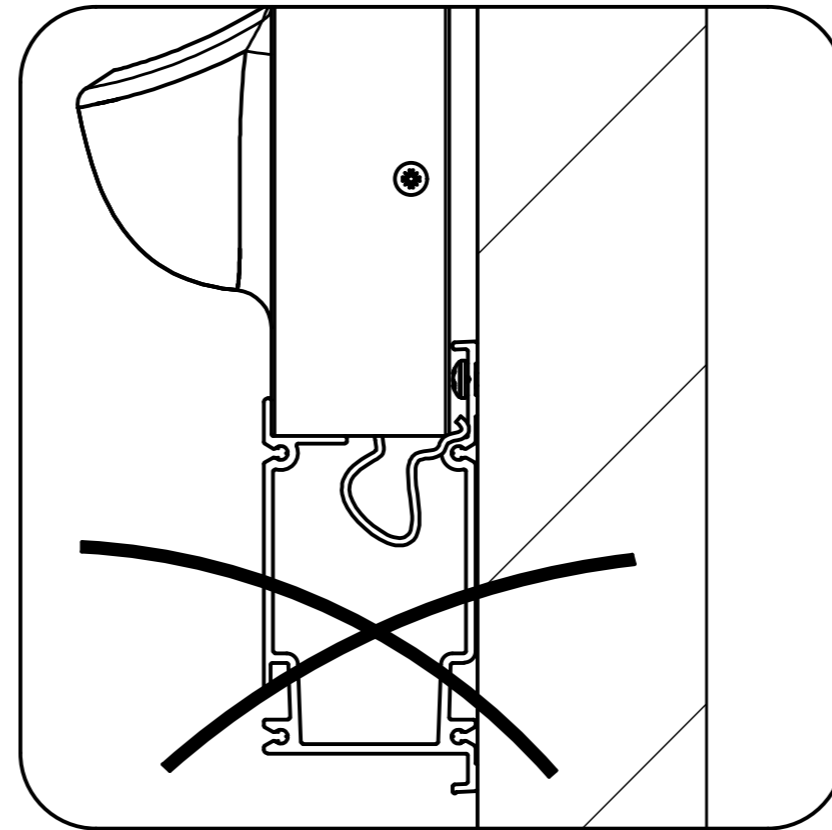
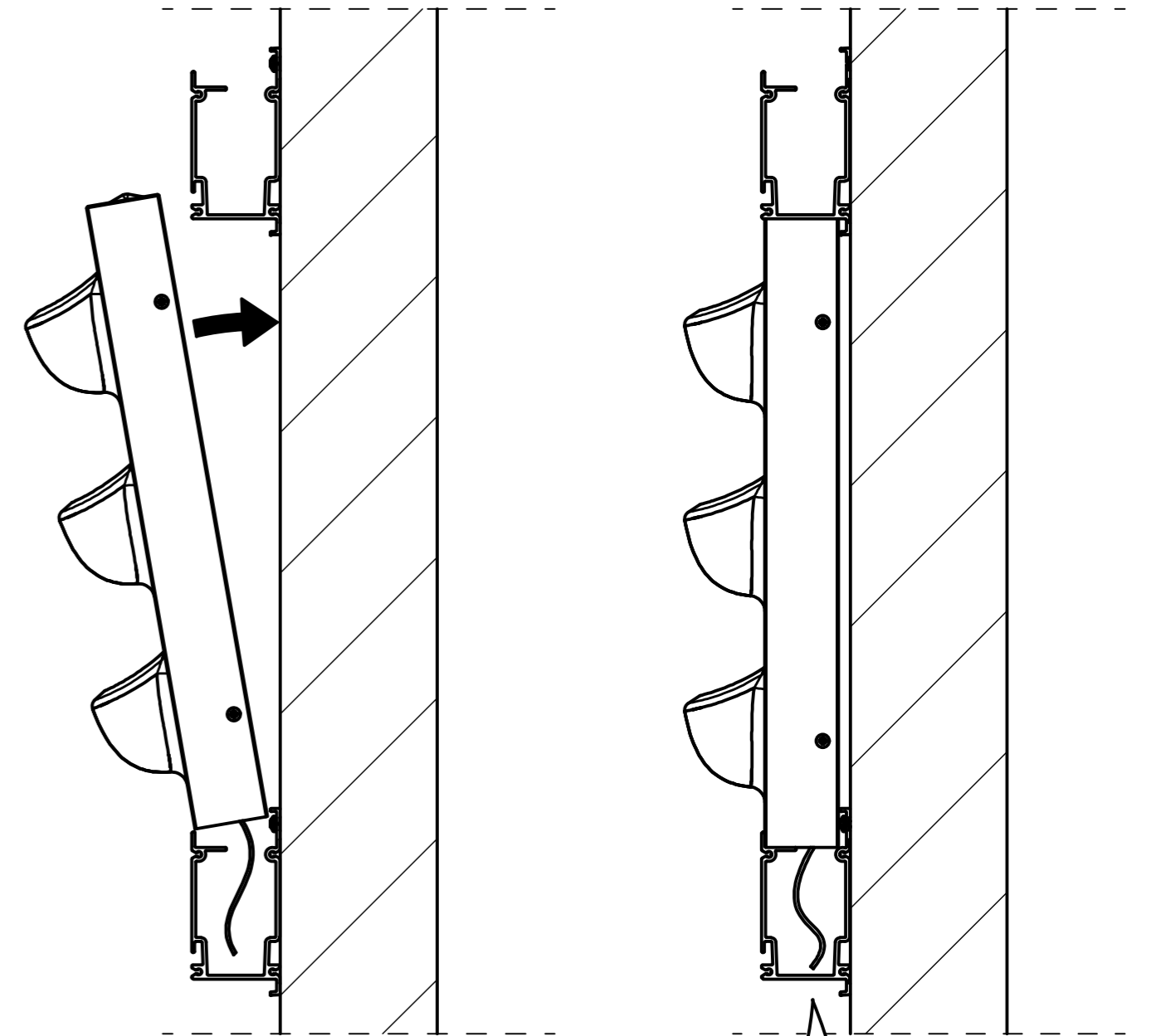
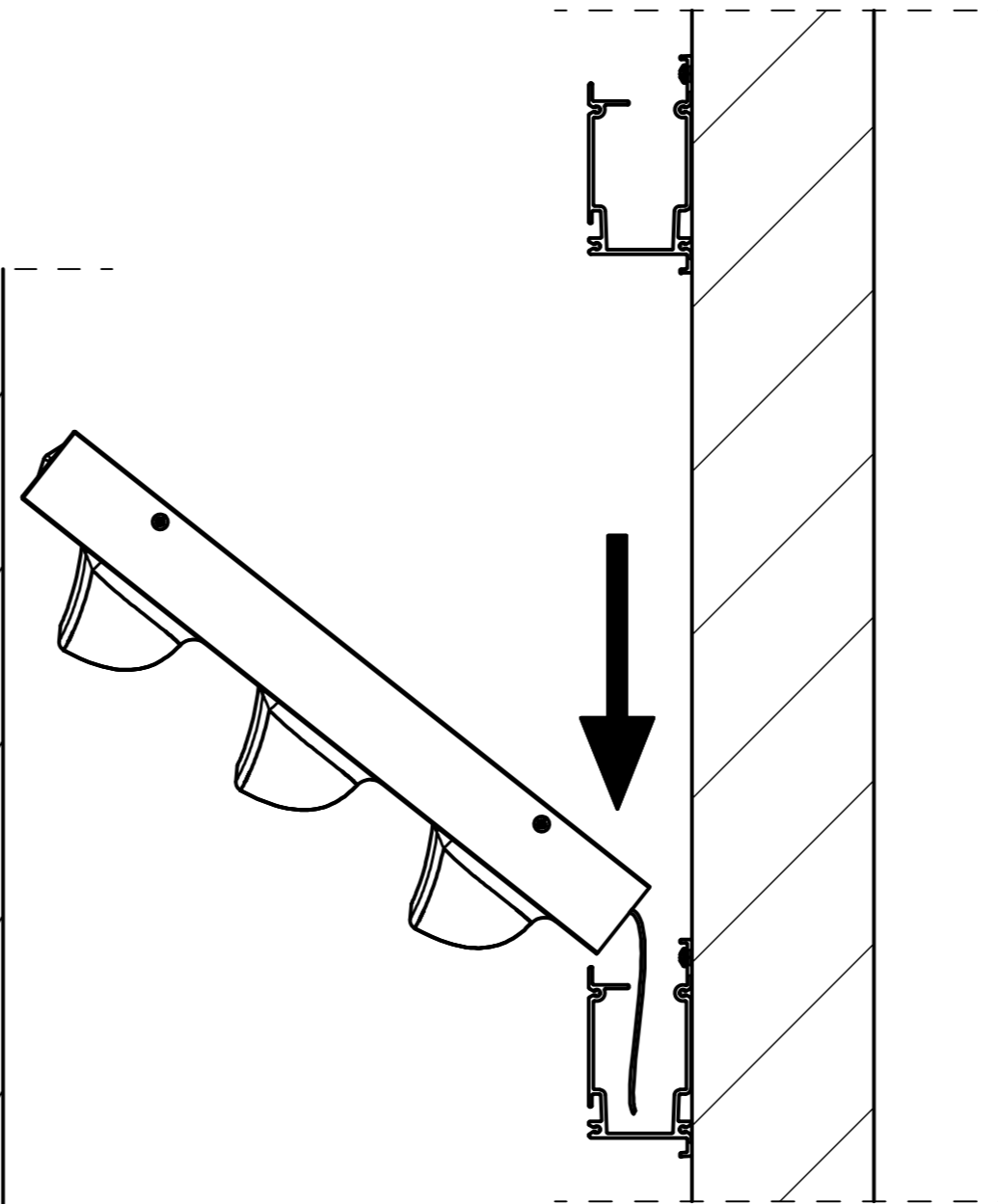
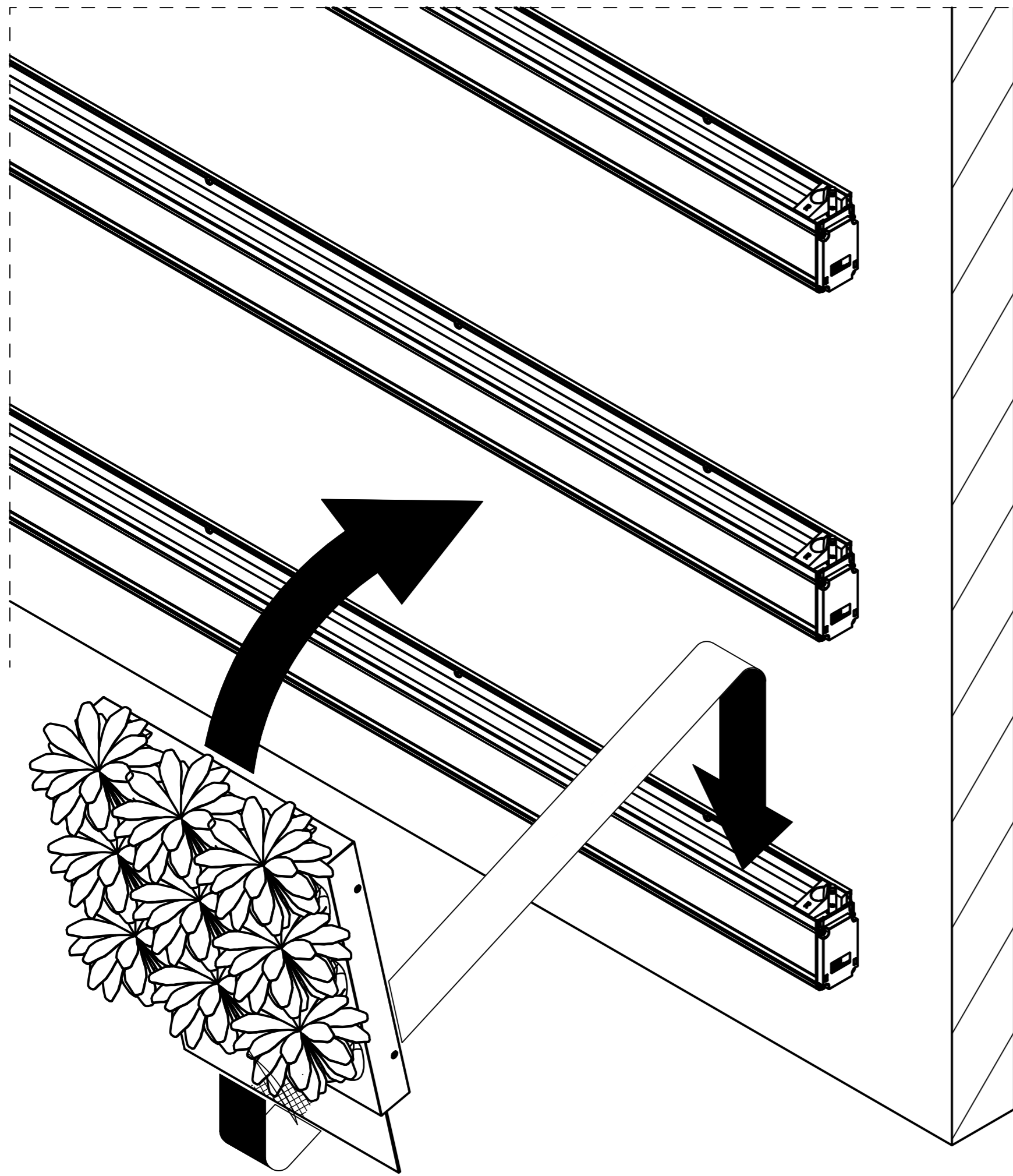
4E



4F



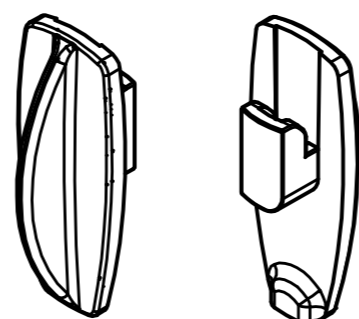
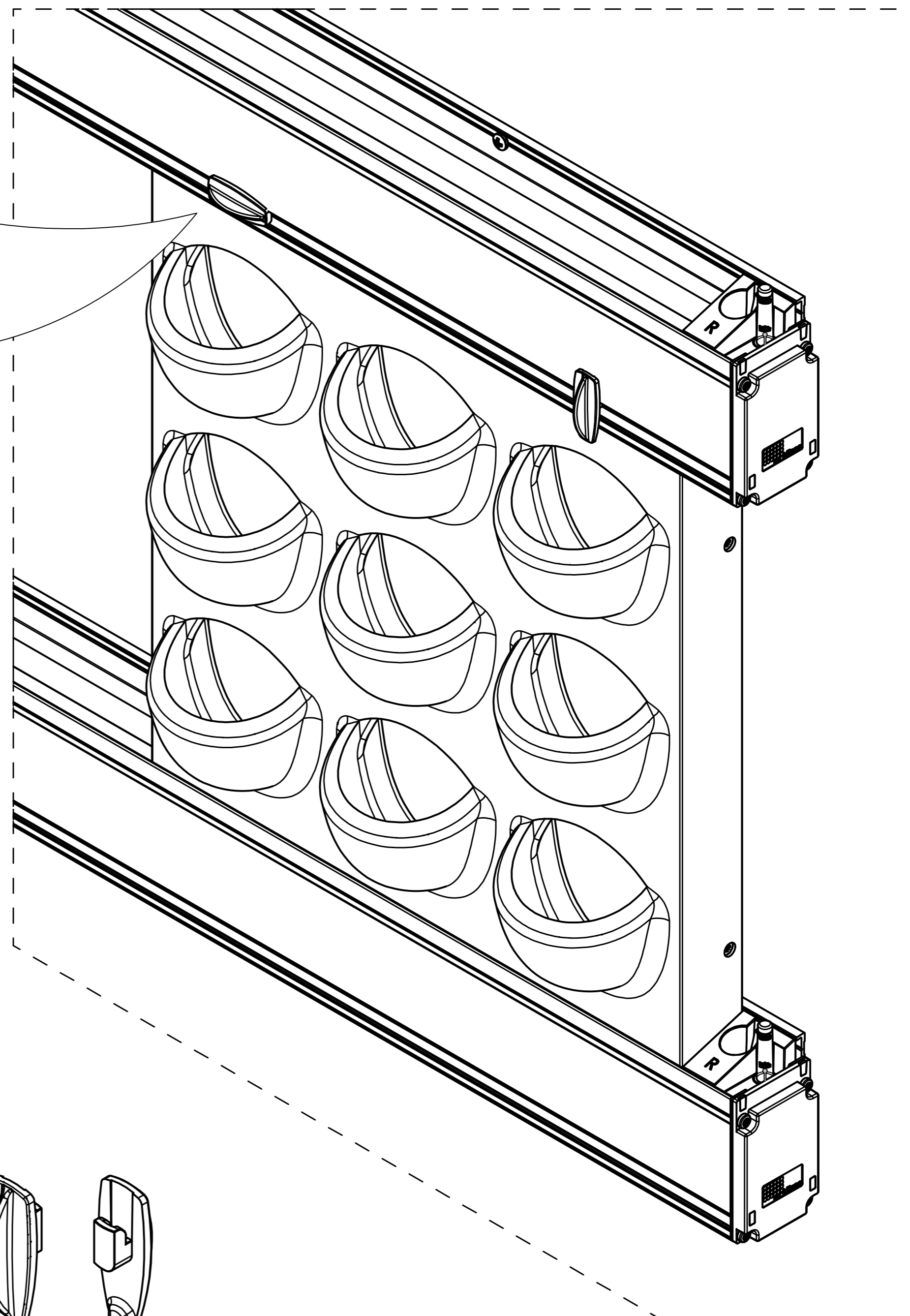
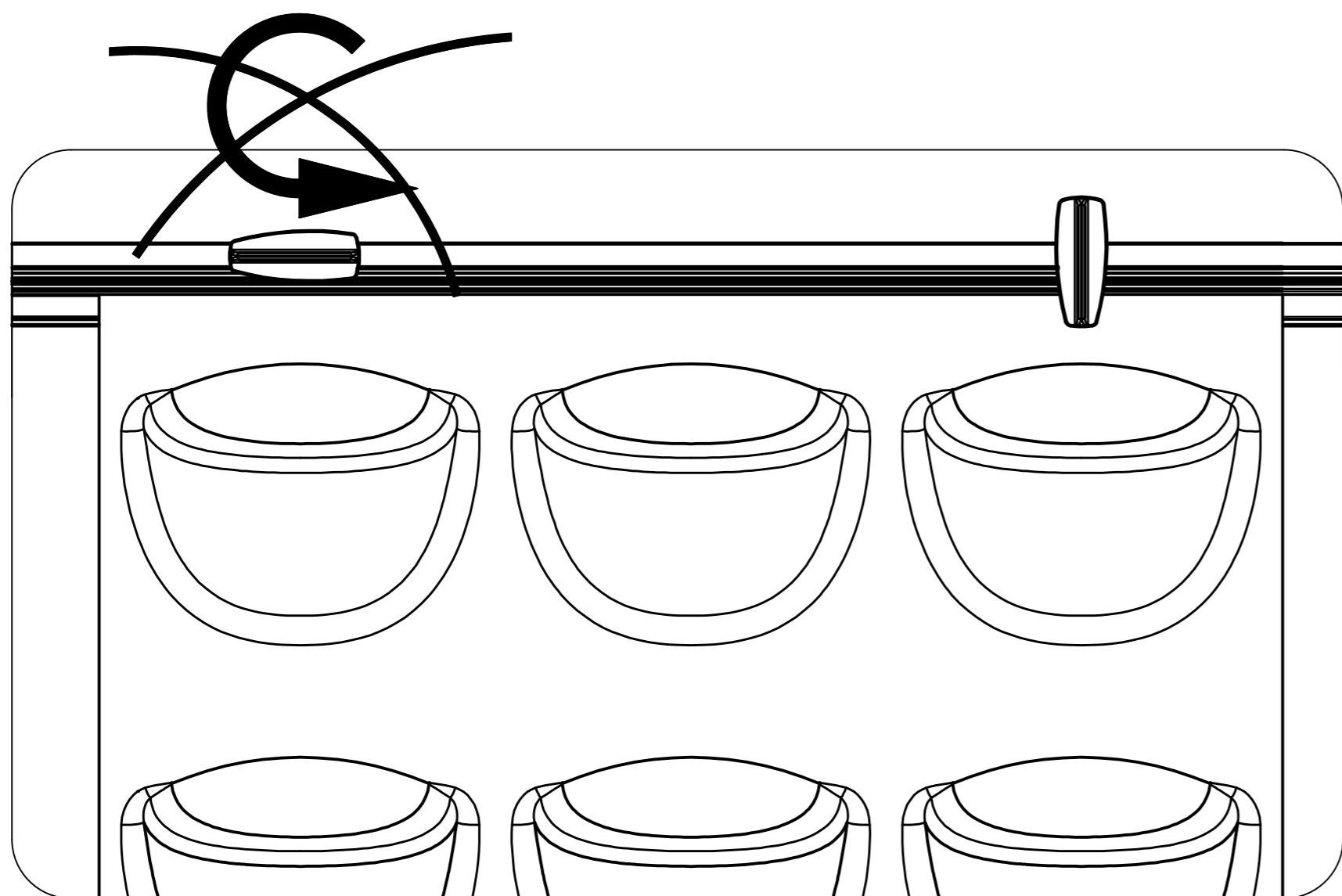
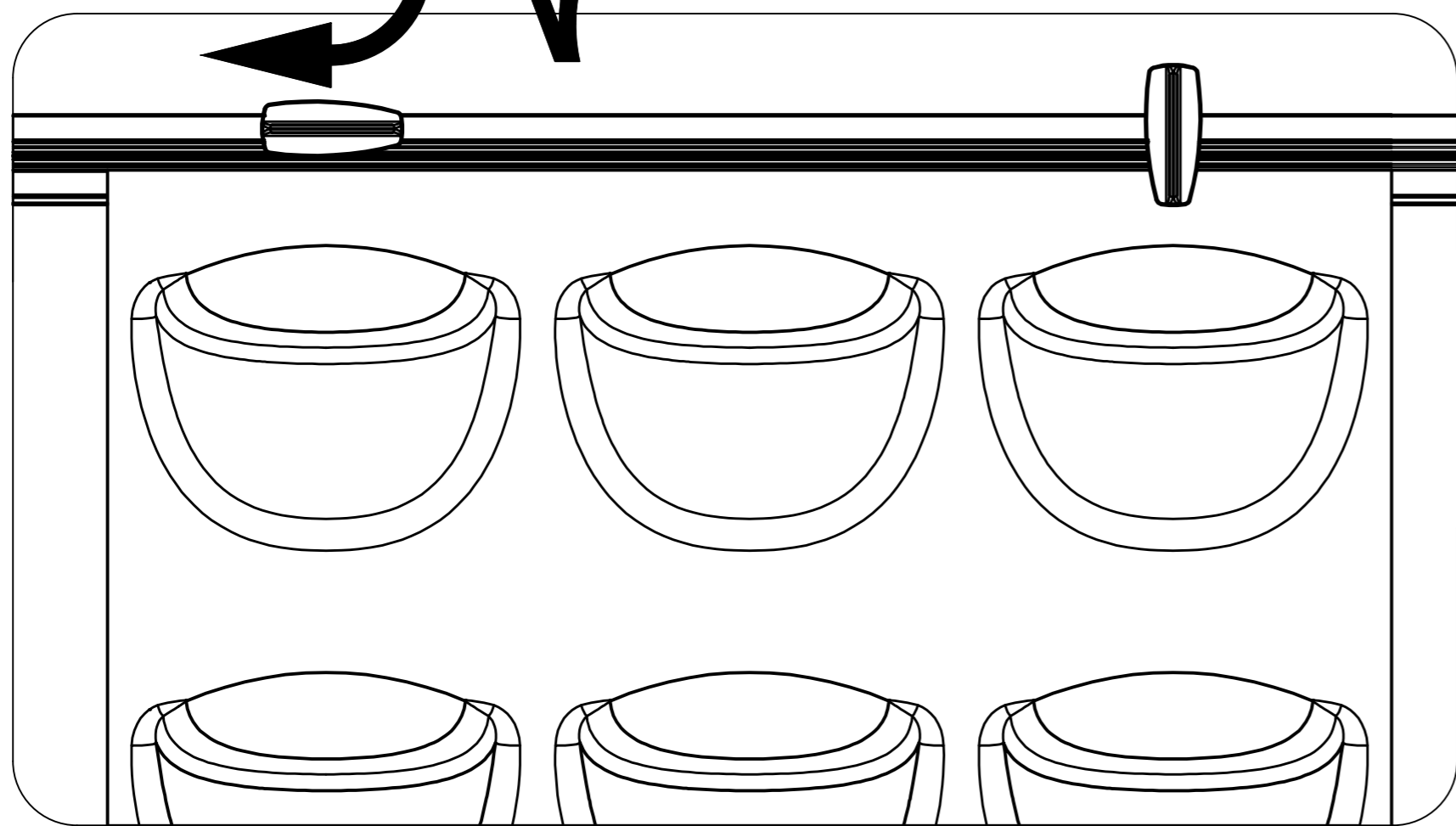
5



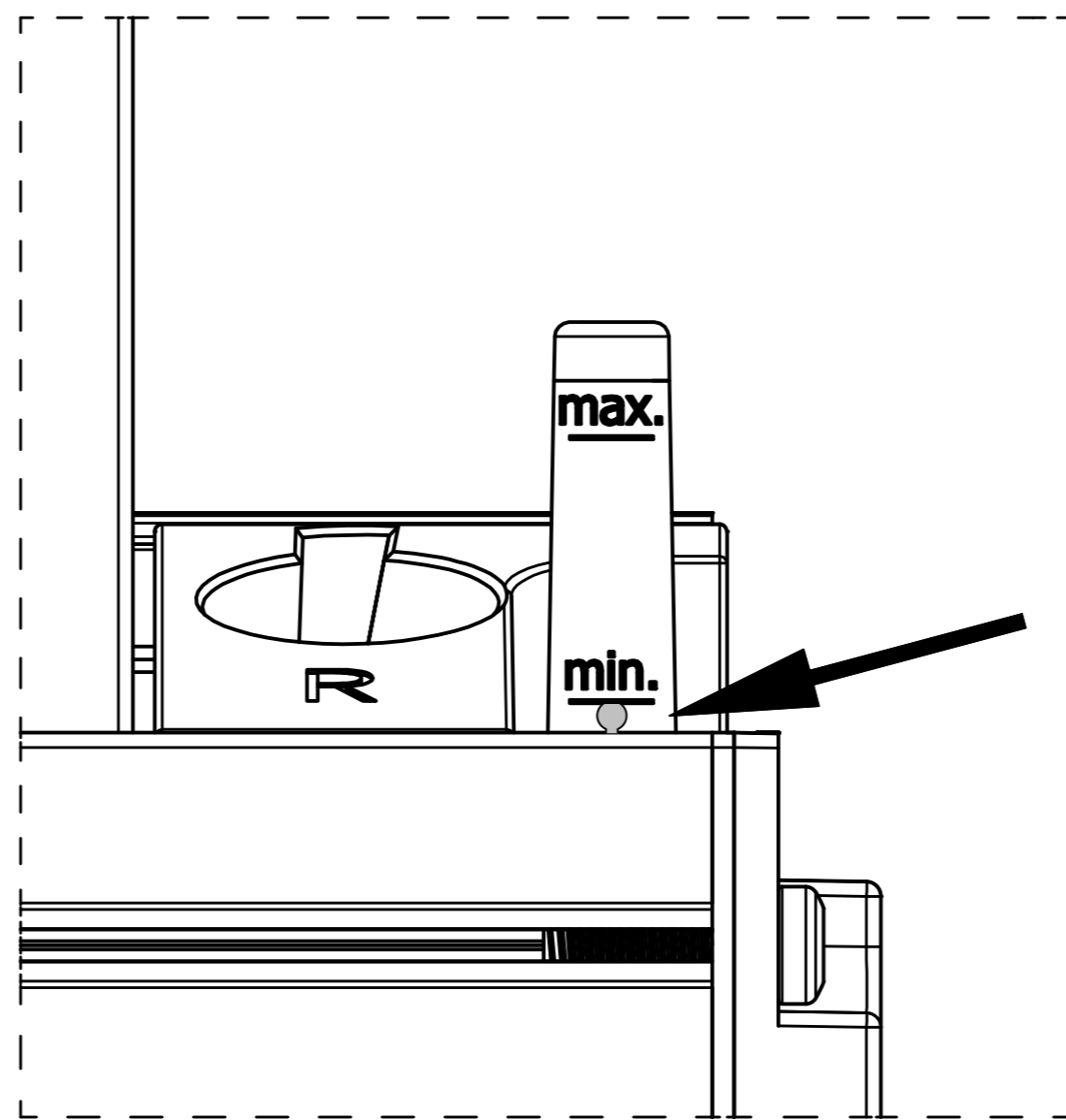
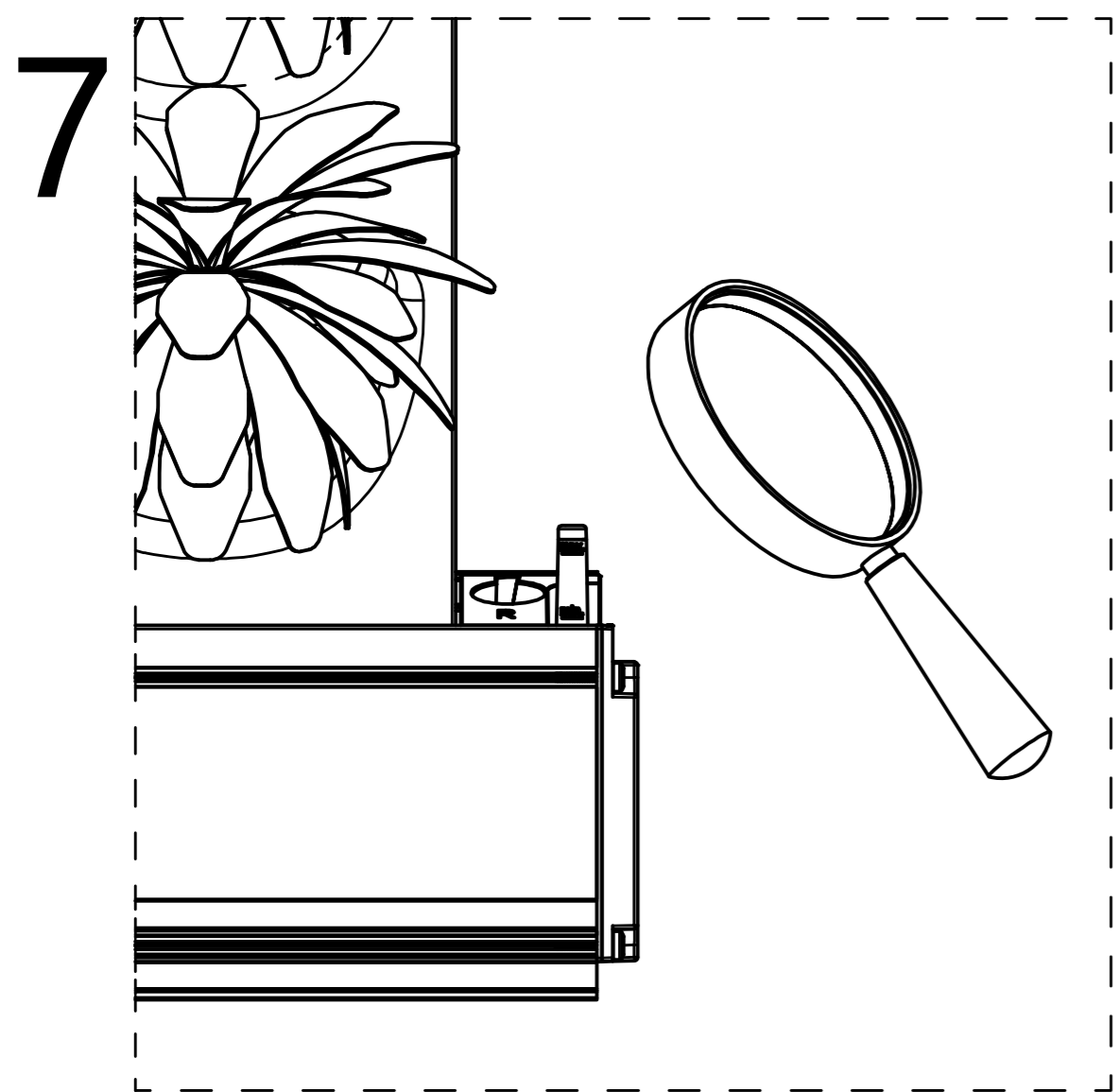
CHECK!

6

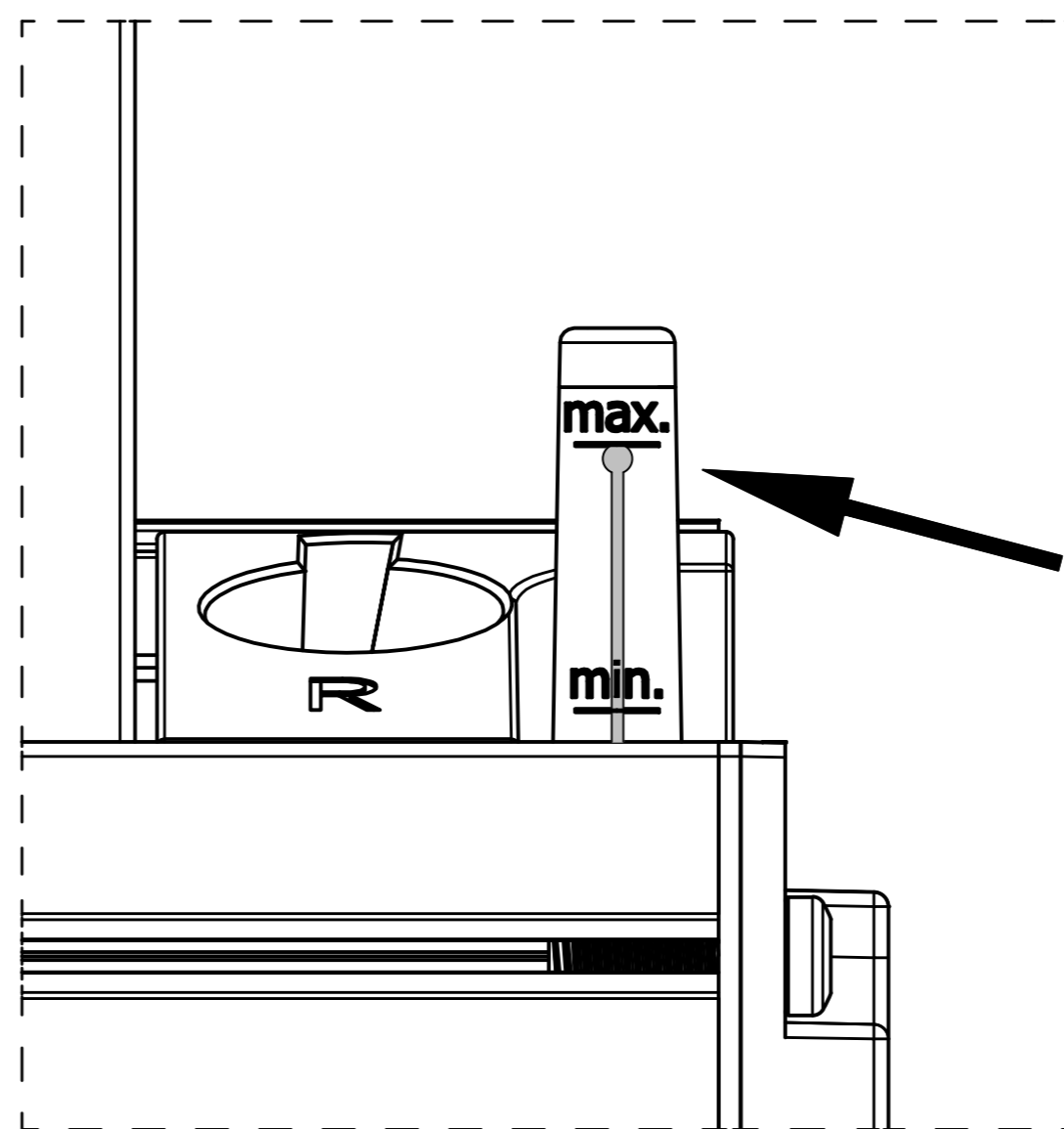
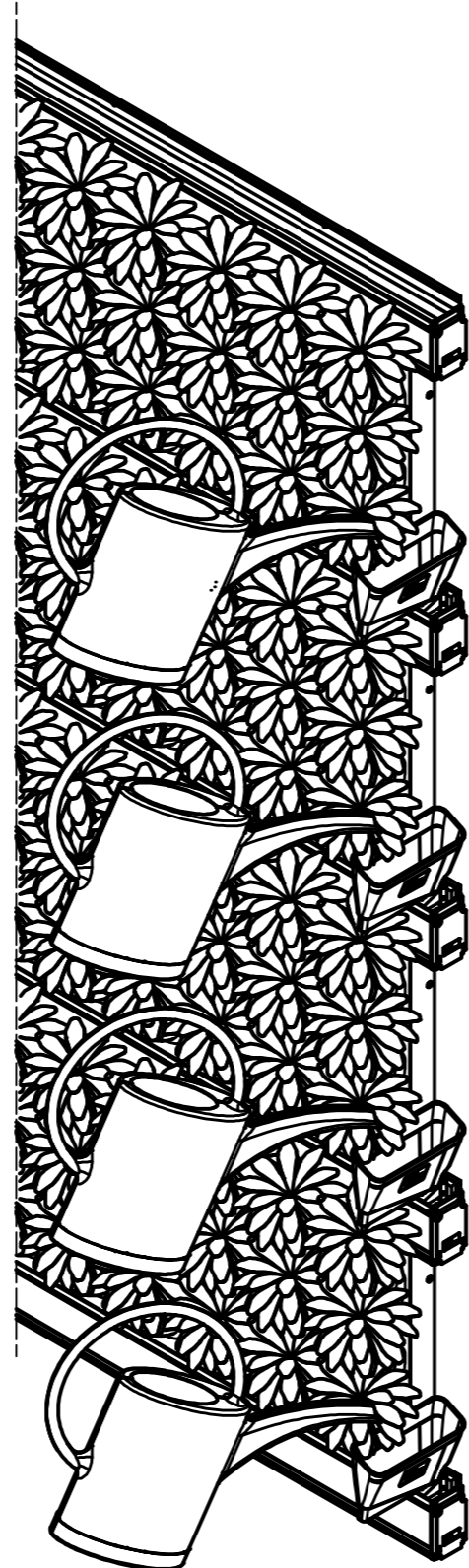
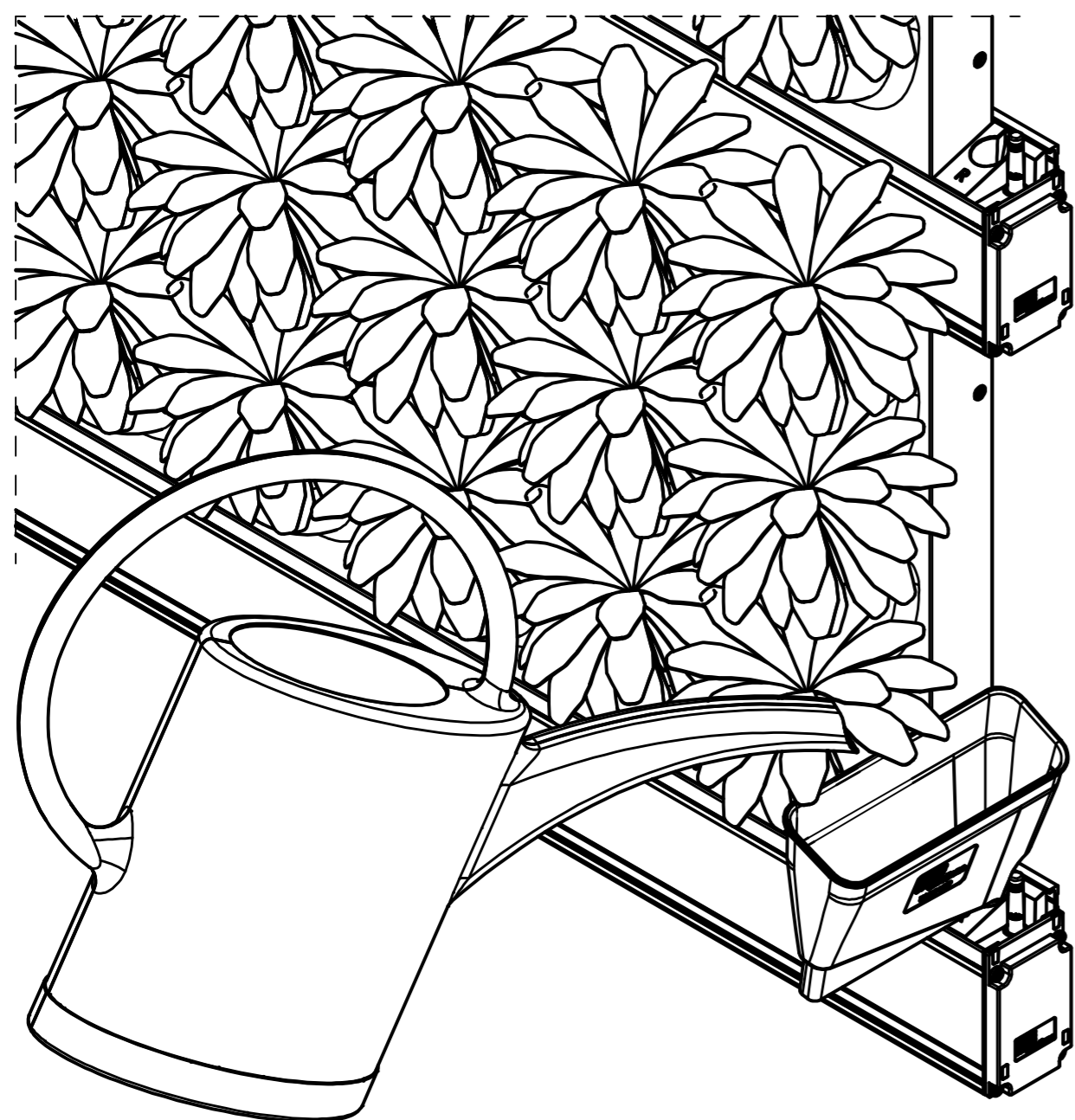
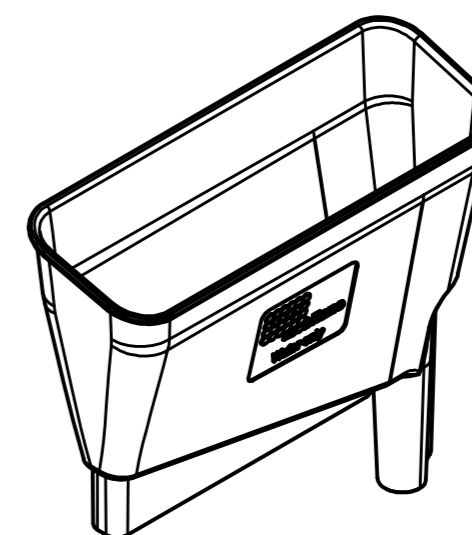
click!



2x



! = Fill



! = STOP